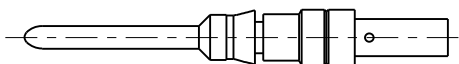
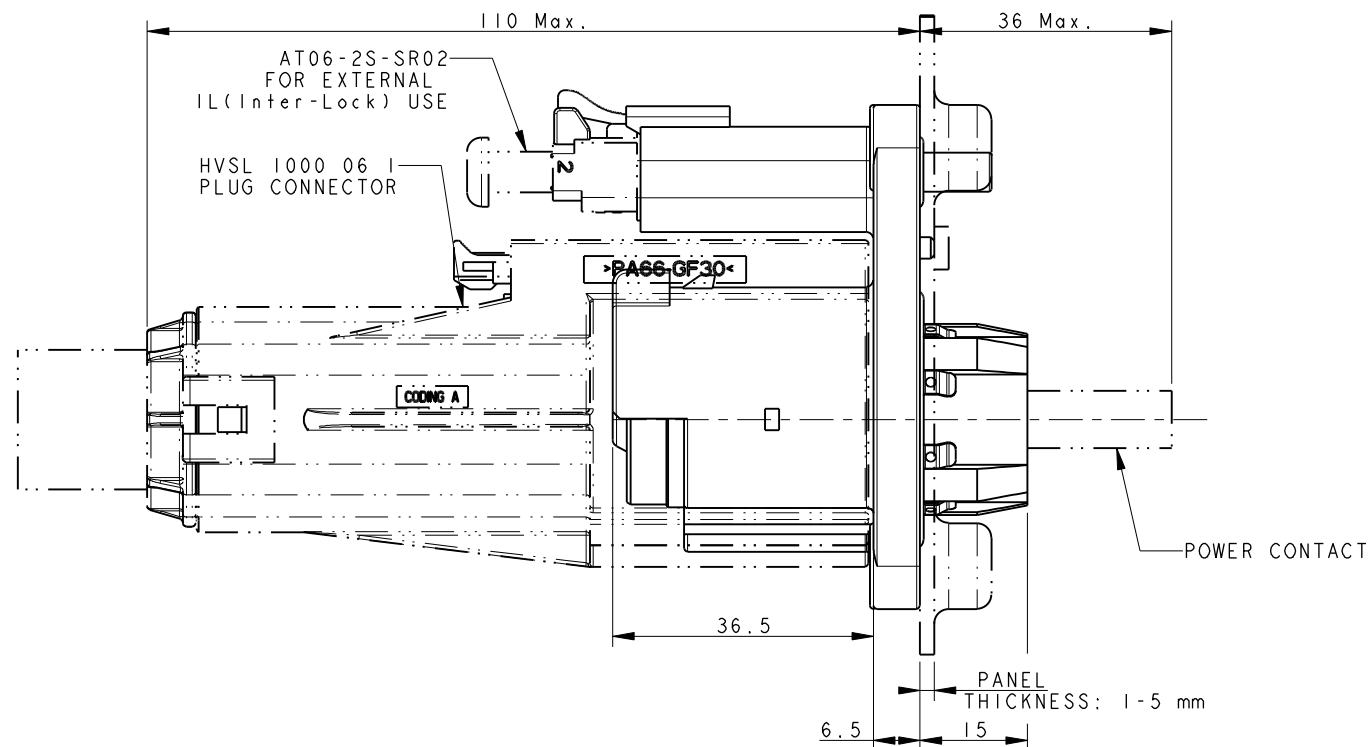
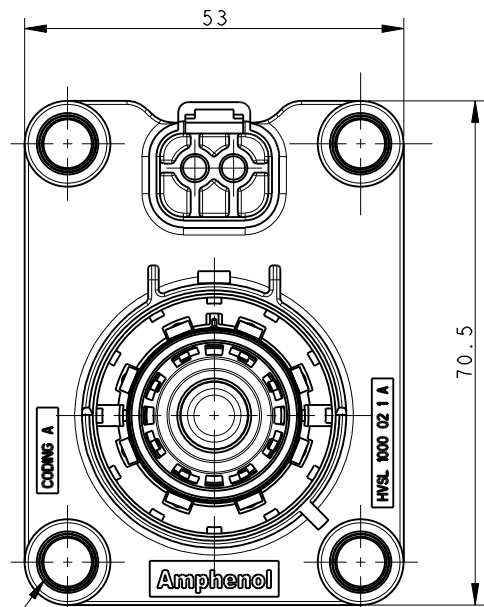
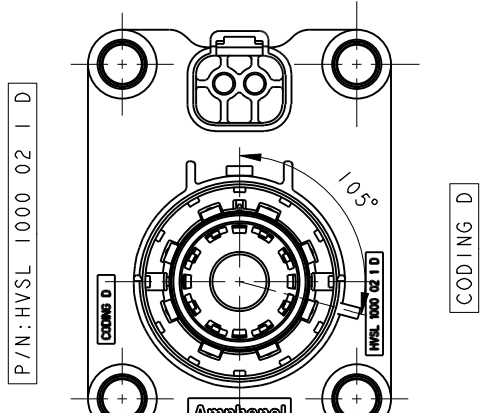
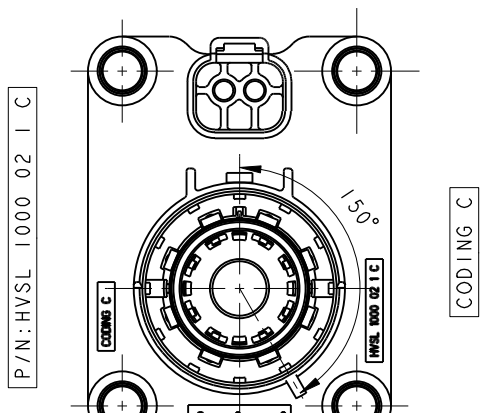
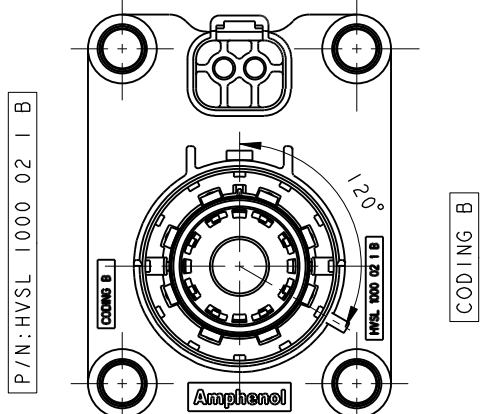
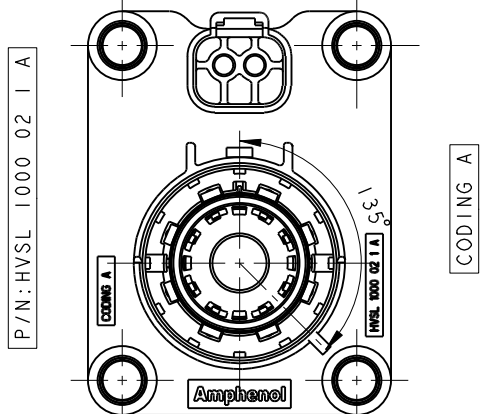


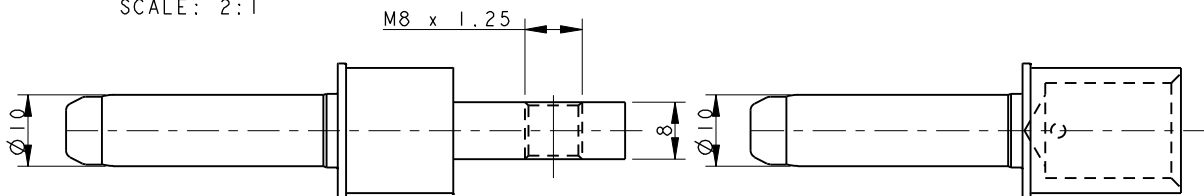
REV	ECN	DESCRIPTION	DATE	MODIFIED
1		PRE-RELEASE	19/03/13	Eric Zhou
2		CHANGED THE POWER CONTACT	23/10/13	Eric Zhou
3		ADD WIRE DIAMETER	15/09/15	Robin Yuan

CUSTOMER DRAWING

SCALE 4:5



CONTACTS FOR IL (INTER-LOCK) USE  
(0.5 mm<sup>2</sup> MAX. WIRE)  
P/N: C42000400504G  
SCALE: 2:1



POWER CONTACT (THREAD FOR BUS-BAR)  
P/N: C4200036152

POWER CONTACT (CRIMP FOR WIRE)  
P/N: C42000361511 --70 mm<sup>2</sup> WIRE OD=19.0 ± 0.7MM  
C42000361512 --50 mm<sup>2</sup> WIRE OD=16.5 ± 0.4MM  
C42000361513 --35 mm<sup>2</sup> WIRE OD=14.2 ± 0.4MM  
C42000361514 --25 mm<sup>2</sup> WIRE OD=11.9 ± 0.3MM

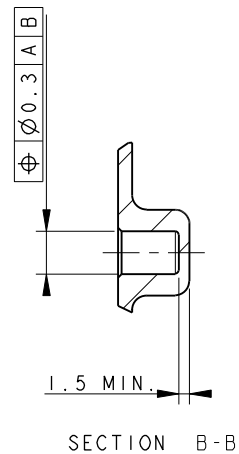
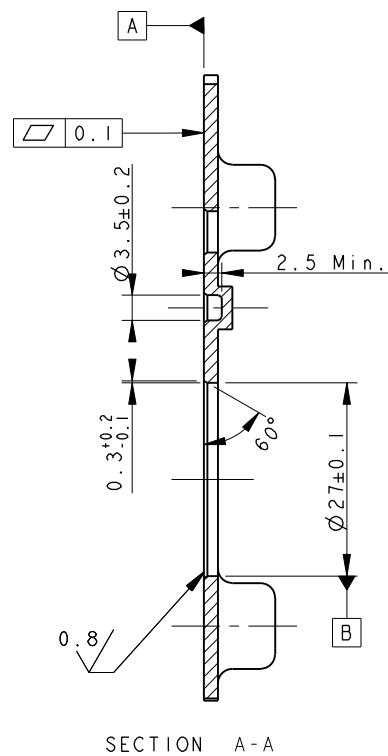
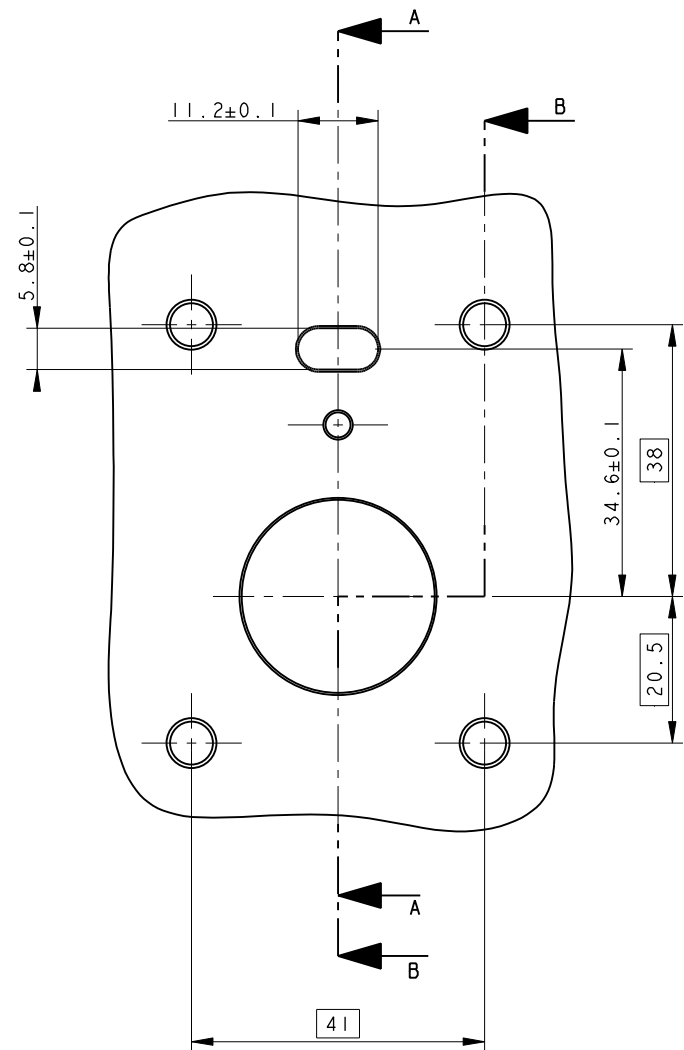
NOTES:

- MATERIAL & FINISH:  
PLASTIC BODY: THERMOPLASTICS UL 94V-0 ORANGE COLOR  
POWER CONTACT: COPPER ALLOY SILVER PLATED  
IL CONTACTS: COPPER ALLOY GOLD PLATED  
SHIELDING: COPPER ALLOY TIN PLATED  
RING: STAINLESS STEEL  
O-RING: SILICONE RUBBER
- ELECTRONICAL CHARACTERISTICS:  
HIGH VOLTAGE RATED 1000 V DC MAX.  
CURRENT RATED 250 A MAX.  
WITHSTANDING VOLTAGE 3000 V AC  
PRODUCTS ARE COMPLIANCE WITH EN 60664-1 POLLUTION II
- ENVIRONMENT CHARACTERISTICS:  
IP67 IP6K9K RATED (WHEN MATING)  
IP2XB RATED FOR FINGER TOUCH-PROOF
- DELIVERY WITHOUT CONTACTS. THE CONTACTS SHOULD BE ORDERED SEPARATELY.
- SEE APCD-TD-049 FOR ASSEMBLY INSTRUCTION AND EXTERNAL HVIL SET-UP.

DIMENSIONS	TOLERANCES	PROJECTION	TITLE		
ANSI Y14.5M UNITS: MM Pro/E FILE	<del>X</del> ±0.1 <del>.XX</del> ±0.01 ANGLES ±0.5°		Amphenol Pcd Shenzhen		
ORIGINAL NOT FOR CUSTOMER DISTRIBUTION	THIS DOCUMENT CONTAINS PROPRIETARY INFORMATION WHICH IS THE CONFIDENTIAL PROPERTY OF AMPHENOL PCD SHENZHEN		ENGR Robin Yuan	15/09/15	HVSL 1000 02 1 X BOX MOUNTING RECEPTACLE ASSEMBLY
			CHKD		SIZE A3
			APPD		DWG NO. C-HVSL1000021X
					REV 3
				CODE: 58982	SCALE: 1:1
					SHEET 1 OF 2

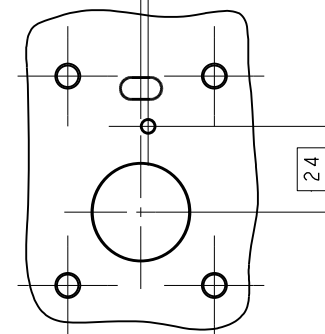
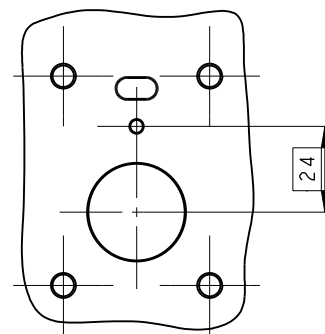
C-HVSL1000021X

C-HVSL1000021X



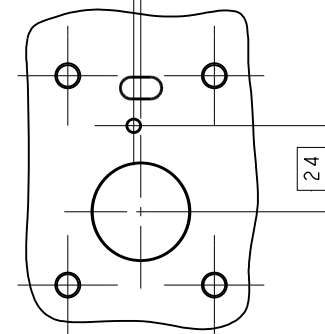
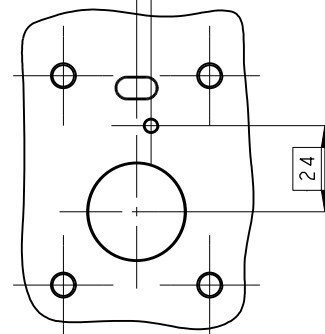
CODING A

CODING B



CODING C

CODING D



PANEL DRILLING

SIZE	DWG NO.	REV
A3	C-HVSL1000021X	3
CODE: 58982	SCALE: 1:1	SHEET 2 OF 2

## X-ON Electronics

Largest Supplier of Electrical and Electronic Components

*Click to view similar products for [Automotive Connectors](#) category:*

*Click to view products by [Amphenol](#) manufacturer:*

Other Similar products are found below :

[003-018-000](#) [60993906-B](#) [M902-2131](#) [M902-2161](#) [M902-2344](#) [72.330.1035.1](#) [73.353.4028.0](#) [F166900](#) [F358300-B](#) [F407400](#) [776880-1](#)  
[827153-1](#) [8N1515-32-24P](#) [9-1326729-8](#) [925474-1](#) [928905-1](#) [964562-4](#) [968782-1](#) [98891-1012](#) [12004475-L](#) [12020308](#) [12041318-B](#)  
[12052466](#) [12064869](#) [12015909](#) [1-21030-1](#) [12041254](#) [12041318](#) [12047946-B](#) [12110546-B](#) [12131792](#) [12084688](#) [12092346](#) [HD34-18-14PT](#)  
[HD46-24-23SN-059](#) [HDB36-24-16PN-059](#) [HDP26-24-9SE-L015](#) [12185280](#) [12185550](#) [12336-12](#) [12191172-B](#) [12S](#) [13545280](#) [13577943](#)  
[13681974](#) [13737722-B](#) [13830674](#) [13832576](#) [13849772](#) [13542772](#)