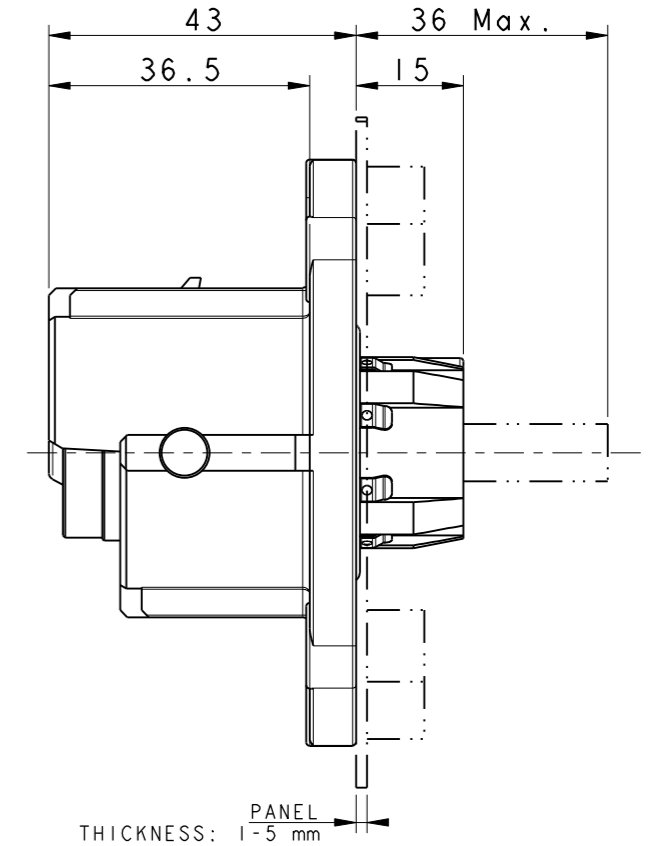
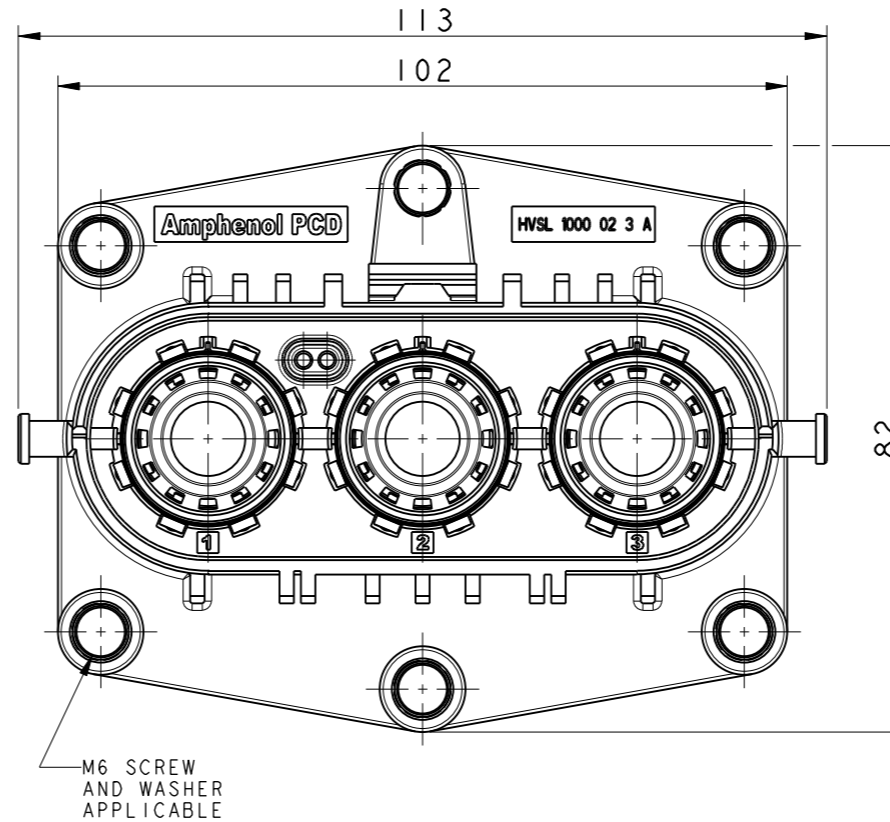
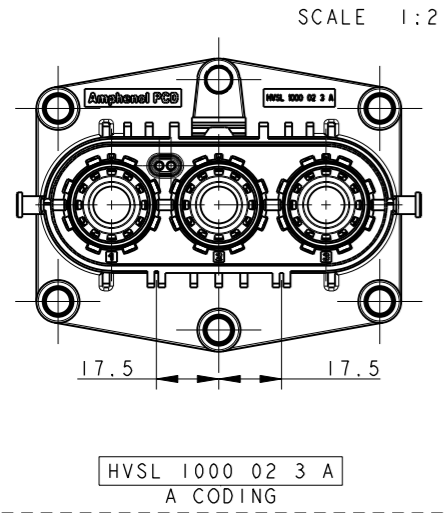


C-HVSL1000023X

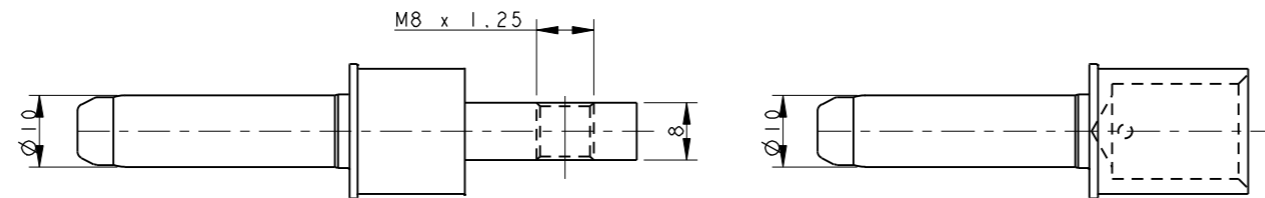
CUSTOMER DRAWING

REV	ECN	DESCRIPTION	DATE	MODIFIED
1		PRE-RELEASE	19/08/13	Eric
2		CHANGED THE POWER CONTACT	23/10/13	Eric
3		ADD WIRE DIAMETER	15/09/15	Robin Yuan



NOTES:

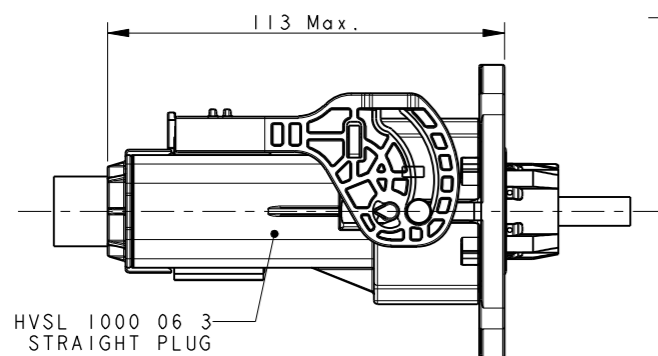
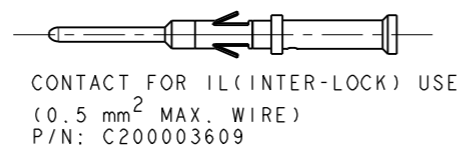
- MATERIAL & FINISH:  
 PLASTIC BODY: THERMOPLASTICS UL 94V-0 ORANGE COLOR  
 POWER CONTACT: COPPER ALLOY SILVER PLATED  
 IL CONTACTS: COPPER ALLOY GOLD PLATED  
 SHIELDING: COPPER ALLOY TIN PLATED  
 RING: STAINLESS STEEL  
 O-RING: SILICONE RUBBER
- ELECTRONICAL CHARACTERISTICS:  
 HIGH VOLTAGE RATED 1000 V DC MAX.  
 CURRENT RATED 250 A MAX.  
 WITHSTANDING VOLTAGE 3000 V AC  
 PRODUCTS ARE COMPLIANCE WITH EN 60664-1 POLLUTION II
- ENVIRONMENT CHARACTERISTICS:  
 IP67 IP6K9K RATED (WHEN MATING)  
 IP2XB RATED FOR FINGER TOUCH-PROOF
- DELIVERY WITHOUT CONTACTS. THE CONTACTS SHOULD BE ORDERED SEPARATELY.
- SEE APCD-TD-073 FOR ASSEMBLY INSTRUCTION.



POWER CONTACT (THREAD FOR BUS-BAR)  
P/N: C4200036152

POWER CONTACT (CRIMP FOR WIRE)

- P/N: C42000361511 -- 70 mm<sup>2</sup> WIRE OD=19.0 ± 0.7MM  
 C42000361512 -- 50 mm<sup>2</sup> WIRE OD=16.5 ± 0.4MM  
 C42000361513 -- 35 mm<sup>2</sup> WIRE OD=14.2 ± 0.4MM  
 C42000361514 -- 25 mm<sup>2</sup> WIRE OD=11.9 ± 0.3MM



CONNECTORS MATED OUTLINE

DIMENSIONS	TOLERANCES	PROJECTION	Amphenol Pcd Shenzhen	
ANSI Y14.5M UNITS: MM Pro/E FILE	X ±0.2 XX ±0.10 ANGLES ±0.5°		ENGR Robin Yuan	15/09/15
ORIGINAL NOT FOR CUSTOMER DISTRIBUTION	THIS DOCUMENT CONTAINS PROPRIETARY INFORMATION WHICH IS THE CONFIDENTIAL PROPERTY OF AMPHENOL PCD SHENZHEN		CHKD	
			APPD	

TITLE			
HVSL 1000 02 3 X BOX MOUNTING RECEPTACLE ASSEMBLY			
SIZE <b>A3</b>	DWG NO. <b>C-HVSL1000023X</b>	REV <b>3</b>	
CODE: 58982	SCALE: 1:1	SHEET 1 OF 2	

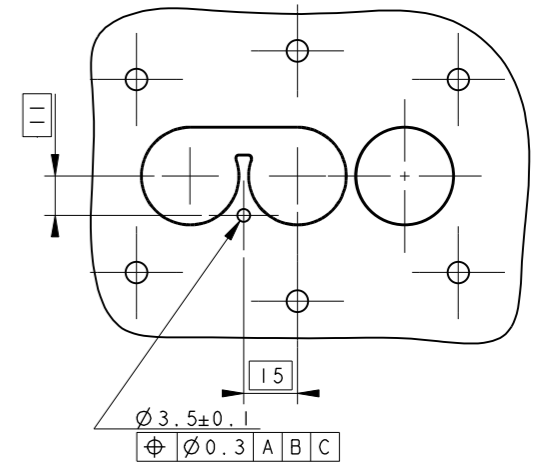
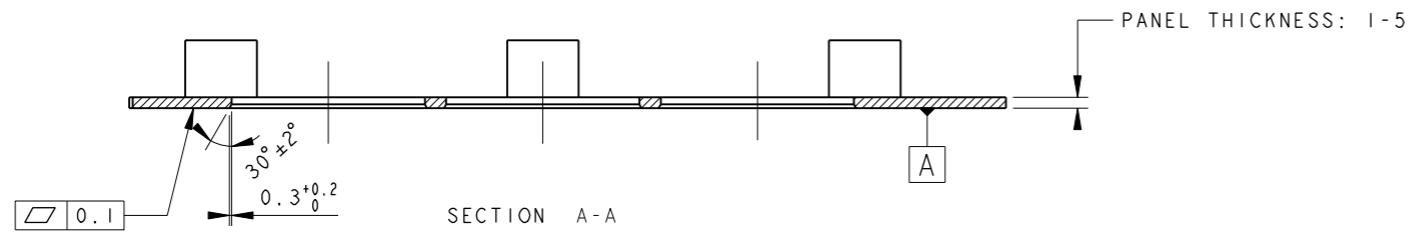
C-HVSL1000023X

C-HVSL1000023X

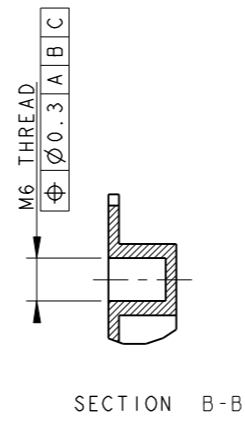
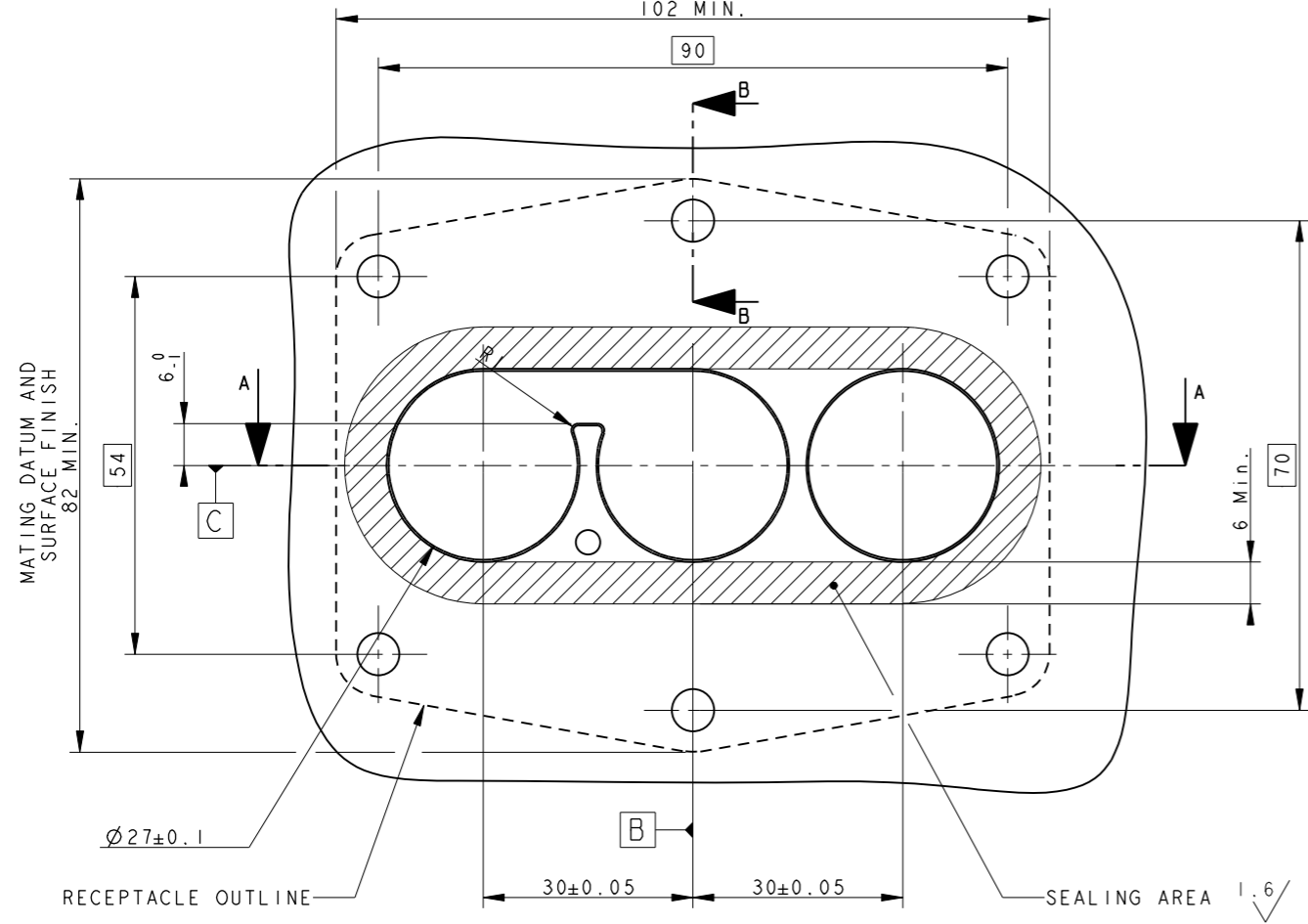
# PANEL DRILLING

SCALE 1:2

CODING A



MATING DATUM AND SURFACE FINISH 102 MIN.



C-HVSL1000023X

C-HVSL1000023X

SIZE	DWG NO.	REV
A3	C-HVSL1000023X	3
CODE: 58982	SCALE: 1:1	SHEET 2 OF 2

## X-ON Electronics

Largest Supplier of Electrical and Electronic Components

*Click to view similar products for [Automotive Connectors](#) category:*

*Click to view products by [Amphenol](#) manufacturer:*

Other Similar products are found below :

[003-018-000](#) [60403001](#) [60993906-B](#) [M902-2131](#) [M902-2161](#) [72.330.1035.1](#) [73.353.4028.0](#) [F119300-B](#) [F166900](#) [F258300-B](#) [F358300-B](#)  
[F407400](#) [F444110](#) [F487000](#) [F509500B-B](#) [827153-1](#) [8N1515-32-24P](#) [9-1326729-8](#) [925474-1](#) [928905-1](#) [964562-4](#) [968782-1](#) [GT17SA-8DS-](#)  
[HU](#) [98891-1012](#) [98947-1016](#) [12004475-L](#) [12010290](#) [12010309-B](#) [12015454](#) [12020219-B](#) [12020308](#) [12041318-B](#) [12052225-L](#) [12052466](#)  
[12059125](#) [12064869](#) [12004327-B](#) [12010503-B](#) [12015308](#) [12015384](#) [12015909](#) [1-21030-1](#) [12041254](#) [12041318](#) [12047946-B](#) [12047957](#)  
[12047957-L](#) [12059473](#) [12066261](#) [12110546](#)