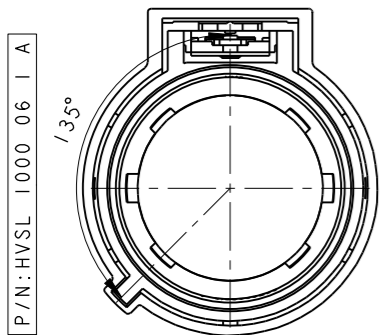


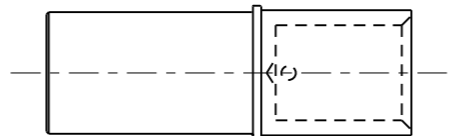
REV	ECN	DESCRIPTION	DATE	MODIFIED
1		PRE-RELEASE	20/03/13	Eric Zhou
2		ADD WIRE DIAMETER	15/09/15	Robin Yuan

CUSTOMER DRAWING

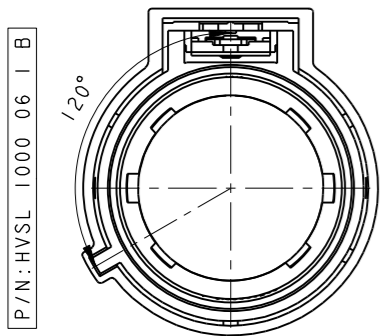


P/N: HVSL 1000 06 1 A

CODING A

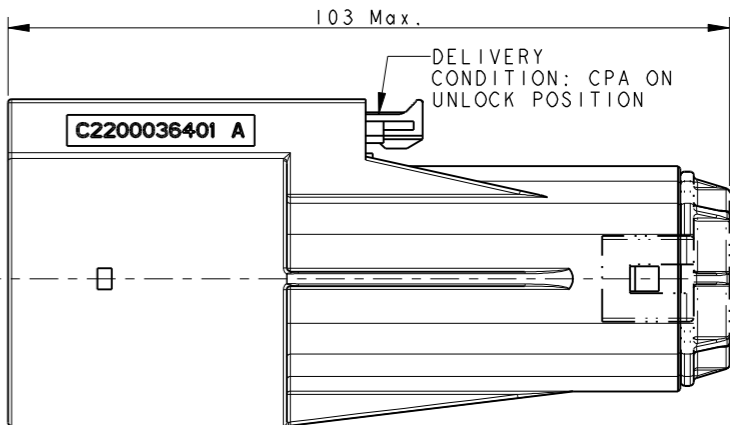
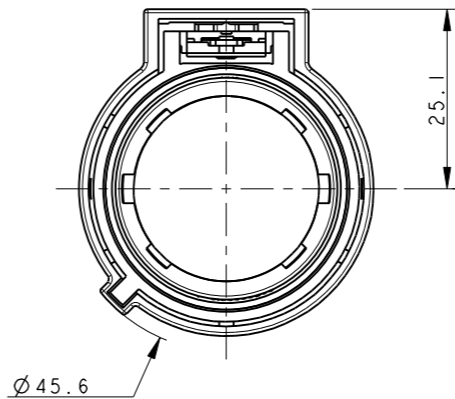


SOCKET CONTACT  
 P/N: C4200036161 -- 70 mm<sup>2</sup> WIRE  
 C4200036162 -- 50 mm<sup>2</sup> WIRE  
 C4200036163 -- 35 mm<sup>2</sup> WIRE

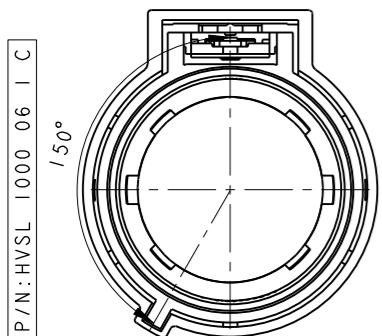


P/N: HVSL 1000 06 1 B

CODING B

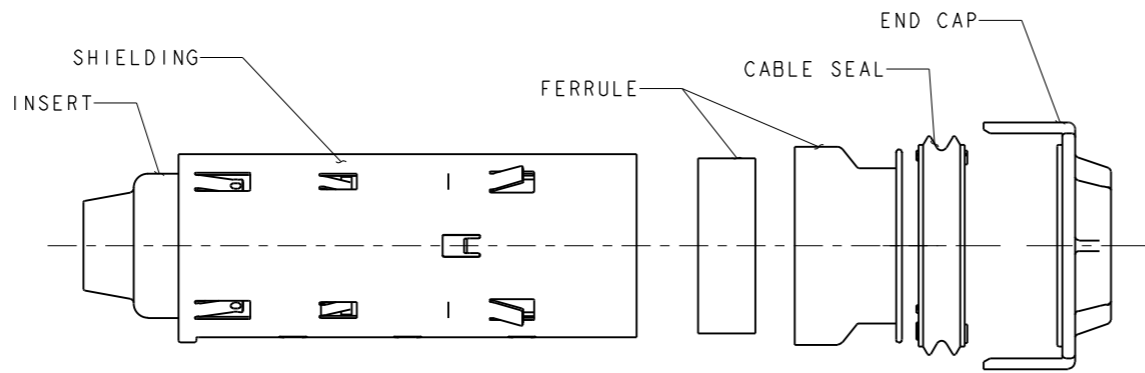


HVSL 1000 06 1 X

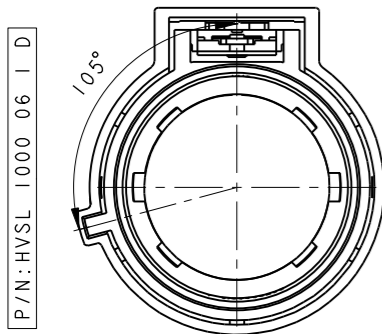


P/N: HVSL 1000 06 1 C

CODING C



KIT OF SOCKET INSERT  
 P/N: C4220036011 -- 70 mm<sup>2</sup> WIRE OD=19.0 ± 0.7MM  
 C4220036012 -- 50 mm<sup>2</sup> WIRE OD=16.5 ± 0.4MM  
 C4220036013 -- 35 mm<sup>2</sup> WIRE OD=14.2 ± 0.4MM  
 C4220036014 -- 25 mm<sup>2</sup> WIRE OD=11.9 ± 0.3MM



P/N: HVSL 1000 06 1 D

CODING D

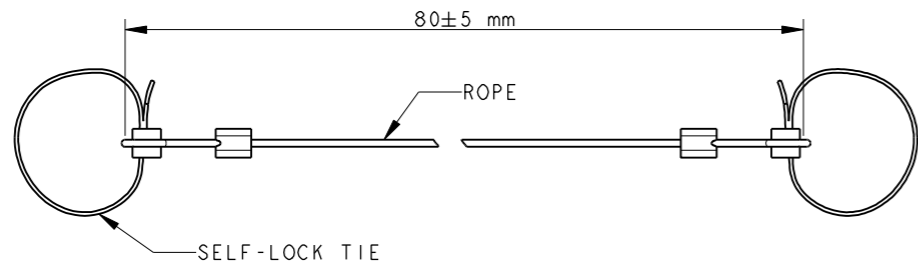
NOTES:

- MATERIAL & FINISH:  
 PLASTIC BODY: THERMOPLASTICS UL 94V-0 ORANGE COLOR  
 SOCKET CONTACT: COPPER ALLOY SILVER PLATED  
 SHIELDING: COPPER ALLOY TIN PLATED  
 FERRULE: STAINLESS STEEL  
 CABLE SEAL: SILICONE RUBBER
- ELECTRONICAL CHARACTERISTICS:  
 HIGH VOLTAGE RATED 1000 V DC MAX.  
 CURRENT RATED 250 A MAX.  
 WITHSTANDING VOLTAGE 3000 V AC  
 PRODUCTS ARE COMPLIANCE WITH EN 60664-1 POLLUTION II
- ENVIRONMENT CHARACTERISTICS:  
 IP67 IP6K9K RATED (WHEN MATING)  
 IP2XB RATED FOR FINGER TOUCH-PROOF
- DELIVERY WITHOUT CONTACTS. THE CONTACTS SHOULD BE ORDERED SEPARATELY.
- SEE APCD-TD-049 FOR ASSEMBLY INSTRUCTION AND EXTERNAL HVIL SET-UP.

<b>DIMENSIONS</b> ANSI Y14.5M UNITS: MM Pro/E FILE	<b>TOLERANCES</b> <del>XX ±0.5</del> <del>XX ±0.20</del> ANGLES ±0.5°	<b>PROJECTION</b> 	Amphenol Pcd Shenzhen		<b>TITLE</b> HVSL 1000 06 1 X PLUG ASSEMBLY		
			ENGR Robin Yuan	15/09/15	SIZE <b>A3</b>	DWG NO. <b>C-HVSL1000061X</b>	REV <b>2</b>
ORIGINAL NOT FOR CUSTOMER DISTRIBUTION	THIS DOCUMENT CONTAINS PROPRIETARY INFORMATION WHICH IS THE CONFIDENTIAL PROPERTY OF AMPHENOL PCD SHENZHEN			CODE: 58982	SCALE: 1:1	SHEET 1 OF 2	

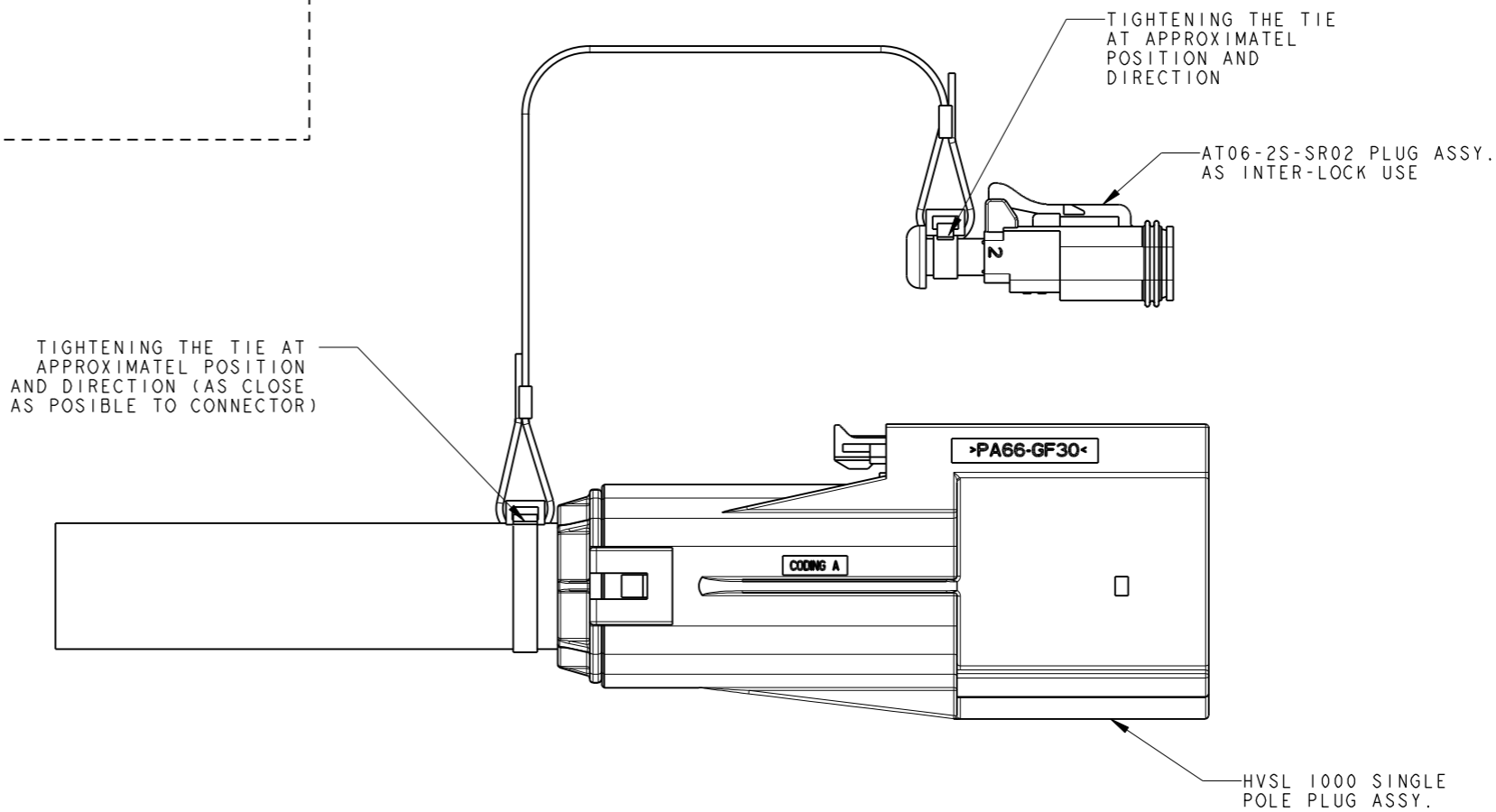
C-HVSL1000061X

C-HVSL1000061X



ATTACHEMENT ROPE  
FOR AT06-2S-SR02 PLUG  
P/N: C210003608

HOW TO SET-UP EXTERNAL INTER-LOCK



AT06-2S AS INTER-LOCK USE  
ATTACHMENT VIEW

C-HVSL1000061X

C-HVSL1000061X

SIZE	DWG NO.	REV
A3	C-HVSL1000061X	2
CODE: 58982	SCALE: 1:1	SHEET 2 OF 2

## X-ON Electronics

Largest Supplier of Electrical and Electronic Components

*Click to view similar products for [Automotive Connectors](#) category:*

*Click to view products by [Amphenol](#) manufacturer:*

Other Similar products are found below :

[003-018-000](#) [60993906-B](#) [M902-2131](#) [M902-2161](#) [M902-2344](#) [72.330.1035.1](#) [73.353.4028.0](#) [F166900](#) [F358300-B](#) [F407400](#) [776880-1](#)  
[827153-1](#) [8N1515-32-24P](#) [9-1326729-8](#) [925474-1](#) [928905-1](#) [964562-4](#) [968782-1](#) [98891-1012](#) [12004475-L](#) [12020308](#) [12041318-B](#)  
[12052466](#) [12064869](#) [12015909](#) [1-21030-1](#) [12041254](#) [12041318](#) [12047946-B](#) [12047957](#) [12110546-B](#) [12131792](#) [12092346](#) [HD34-18-14PT](#)  
[HD46-24-23SN-059](#) [HDB36-24-16PN-059](#) [HDP26-24-9SE-L015](#) [12185280](#) [12185550](#) [12336-12](#) [12147304](#) [12191172-B](#) [12S](#) [13545280](#)  
[13577943](#) [13681974](#) [13737722-B](#) [13755420](#) [13783086](#) [13830674](#)