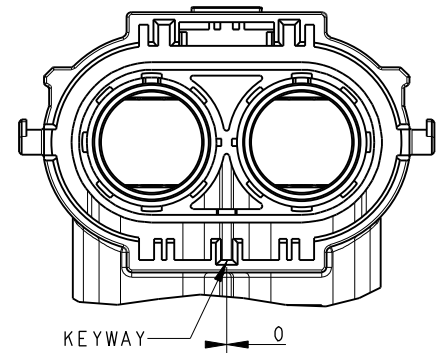


C-HVSL1000082X

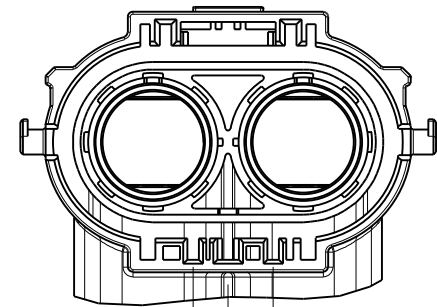
CUSTOMER DRAWING

REV	ECN	DESCRIPTION	DATE	MODIFIED
1		PRE-RELEASE	06/12/13	Eric Zhou
2		ADD WIRE DIAMETER	15/09/15	Robin Yuan



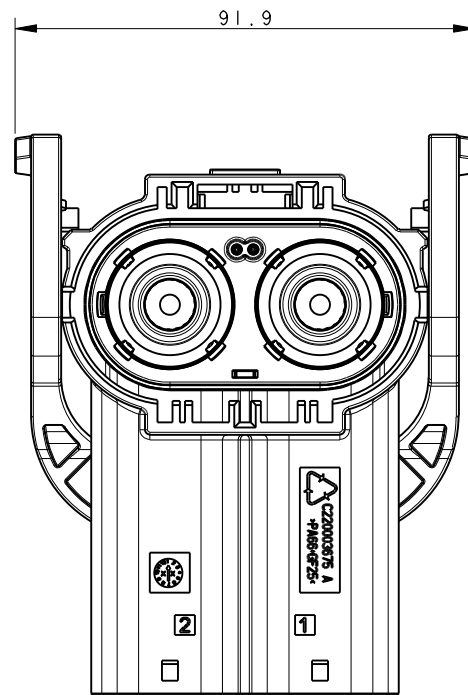
KEYWAY 0

HVSL 1000 08 2 A  
CODING A

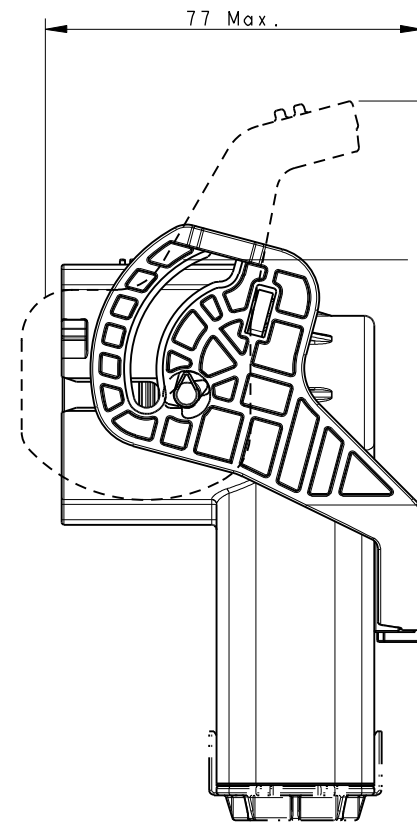


7 9

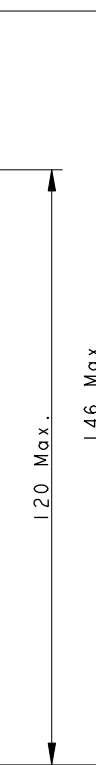
HVSL 1000 08 2 B  
CODING B



91.9

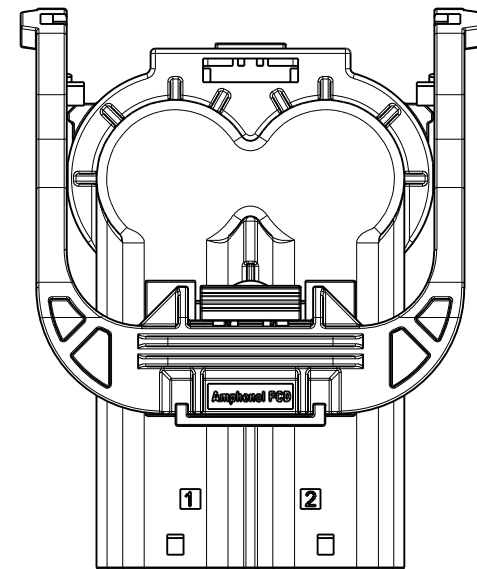


77 Max.



120 Max.

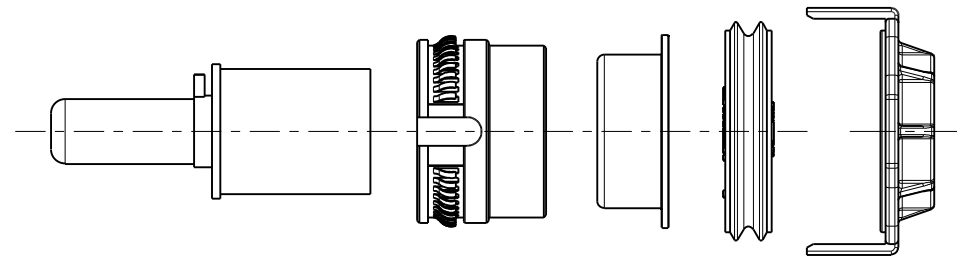
146 Max.



DELIVERY  
CONDITION: CPA  
ON LOCKED  
POSITION

NOTES:

- MATERIAL & FINISH:  
PLASTIC BODY: THERMOPLASTICS UL 94V-0 ORANGE COLOR  
SOCKET CONTACT: COPPER ALLOY SILVER PLATED  
SHIELDING: COPPER ALLOY TIN PLATED  
FERRULE: ALUMINIUM ALLOY  
CABLE SEAL: SILICONE RUBBER
- ELECTRONICAL CHARACTERISTICS:  
HIGH VOLTAGE RATED 1000 V DC MAX.  
CURRENT RATED 250 A MAX.  
WITHSTANDING VOLTAGE 3000 V AC  
PRODUCTS ARE COMPLIANCE WITH EN 60664-1 POLLUTION II
- ENVIRONMENT CHARACTERISTICS:  
IP67 IP6K9K RATED (WHEN MATING)  
IP2XB RATED FOR FINGER TOUCH-PROOF
- DELIVERY WITHOUT PIN CONTACT AND ACCESSORIES. THE PIN CONTACT AND ACCESSORIES SHOULD BE ORDERED SEPARATELY.
- SEE APCD-TD-118 FOR ASSEMBLY INSTRUCTION.



KIT OF PIN and ACCESSORIES

- P/N: C4220036031 -- 70 mm<sup>2</sup> WIRE OD=19.0 ± 0.7MM  
 C4220036032 -- 50 mm<sup>2</sup> WIRE OD=16.5 ± 0.4MM  
 C4220036033 -- 35 mm<sup>2</sup> WIRE OD=14.2 ± 0.4MM  
 C4220036034 -- 25 mm<sup>2</sup> WIRE OD=11.9 ± 0.3MM

C-HVSL1000082X

C-HVSL1000082X

DIMENSIONS	TOLERANCES	PROJECTION	TITLE		
ANSI Y14.5M UNITS: MM Pro/E FILE	.X ±0.3 .XX ±0.10 ANGLES ±2.0°		Amphenol Pcd Shenzhen		
ORIGINAL NOT FOR CUSTOMER DISTRIBUTION	THIS DOCUMENT CONTAINS PROPRIETARY INFORMATION WHICH IS THE CONFIDENTIAL PROPERTY OF AMPHENOL PCD SHENZHEN	ENGR Robyn Yuan 15/09/15 CHKD APPD	HVSL 1000 08 2 X R/A PLUG ASSEMBLY		REV 2
			SIZE A3	DWG NO. C-HVSL1000082X	
			CODE: 58982	SCALE: 7:10	SHEET 1 OF 1

## X-ON Electronics

Largest Supplier of Electrical and Electronic Components

*Click to view similar products for [Automotive Connectors](#) category:*

*Click to view products by [Amphenol](#) manufacturer:*

Other Similar products are found below :

[003-018-000](#) [60403001](#) [60993906-B](#) [M902-2131](#) [M902-2161](#) [72.330.1035.1](#) [73.353.4028.0](#) [F119300-B](#) [F166900](#) [F258300-B](#) [F358300-B](#)  
[F407400](#) [F444110](#) [F487000](#) [F509500B-B](#) [827153-1](#) [8N1515-32-24P](#) [9-1326729-8](#) [925474-1](#) [928905-1](#) [964562-4](#) [968782-1](#) [GT17SA-8DS-](#)  
[HU](#) [98891-1012](#) [98947-1016](#) [12004475-L](#) [12010290](#) [12010309-B](#) [12015454](#) [12020219-B](#) [12020308](#) [12041318-B](#) [12052225-L](#) [12052466](#)  
[12059125](#) [12064869](#) [12004327-B](#) [12010503-B](#) [12015308](#) [12015384](#) [12015909](#) [1-21030-1](#) [12041254](#) [12041318](#) [12047946-B](#) [12047957](#)  
[12047957-L](#) [12059473](#) [12066261](#) [12110546](#)