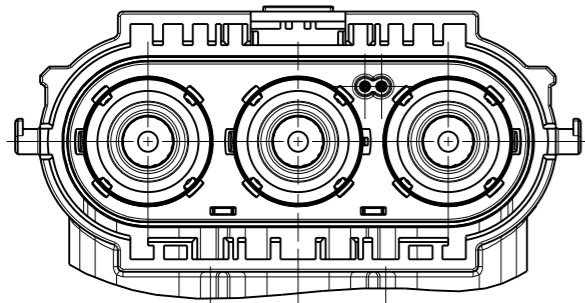


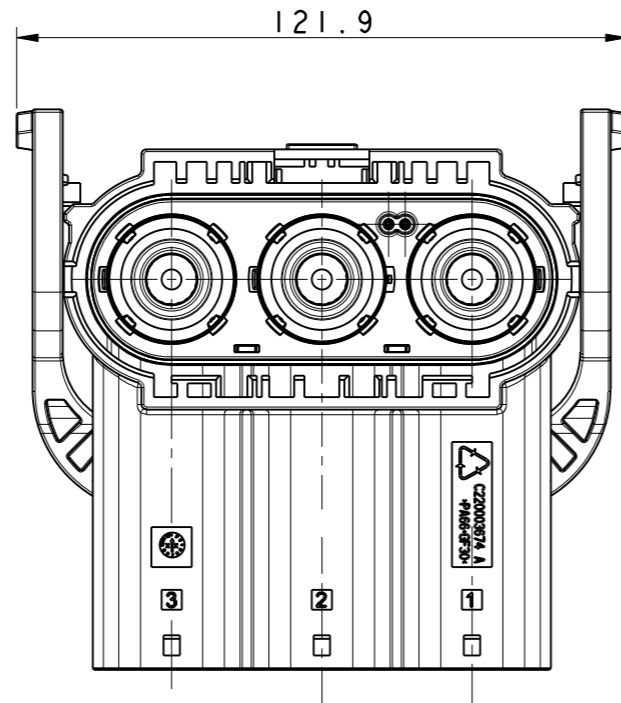
C-HVSL1000083X

CUSTOMER DRAWING

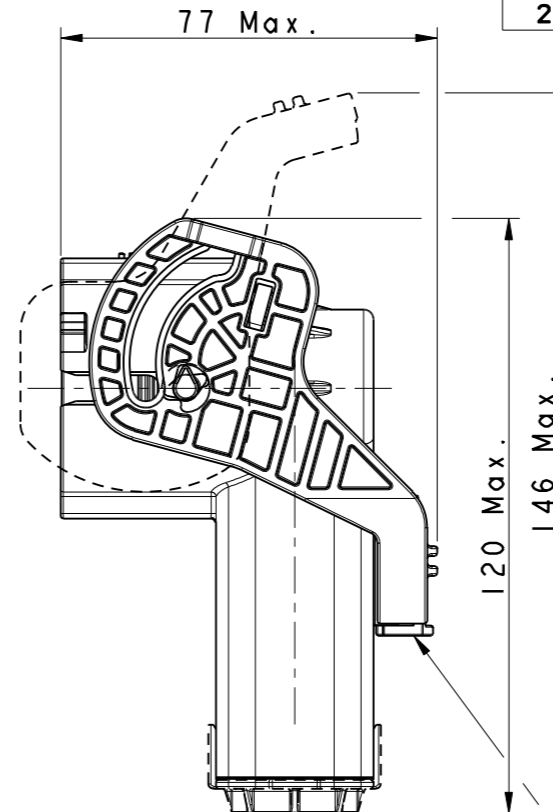


17.50 17.50

HVSL 1000 08 3 A  
CODING A



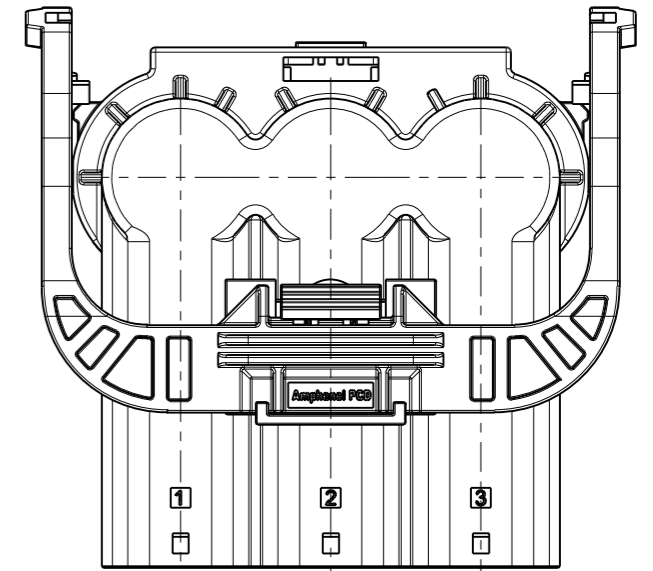
121.9



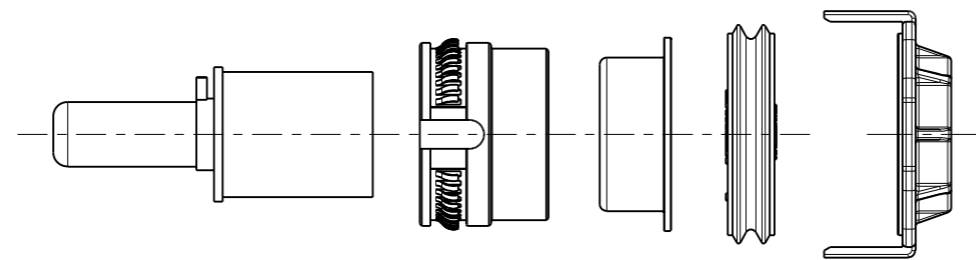
77 Max.

120 Max.

146 Max.



DELIVERY  
CONDITION: CPA ON  
LOCKED POSITION



KIT OF PIN and ACCESSORIES

- P/N: C4220036031 -- 70 mm<sup>2</sup> WIRE OD=19.0 ± 0.7MM
- C4220036032 -- 50 mm<sup>2</sup> WIRE OD=16.5 ± 0.4MM
- C4220036033 -- 35 mm<sup>2</sup> WIRE OD=14.2 ± 0.4MM
- C4220036034 -- 25 mm<sup>2</sup> WIRE OD=11.9 ± 0.3MM

NOTES:

1. MATERIAL & FINISH:  
PLASTIC BODY: THERMOPLASTICS UL 94V-0 ORANGE COLOR  
SOCKET CONTACT: COPPER ALLOY SILVER PLATED  
SHIELDING: COPPER ALLOY TIN PLATED  
FERRULE: ALUMINIUM ALLOY  
CABLE SEAL: SILICONE RUBBER
2. ELECTRICAL CHARACTERISTICS:  
HIGH VOLTAGE RATED 1000 V DC MAX.  
CURRENT RATED 250 A MAX.  
WITHSTANDING VOLTAGE 3000 V AC  
PRODUCTS ARE COMPLIANCE WITH EN 60664-1 POLLUTION II
3. ENVIROMENT CHARACTERISTICS:  
IP67 IP6K9K RATED (WHEN MATING)  
IP2XB RATED FOR FINGER TOUCH-PROOF
4. DELIVERY WITHOUT PIN CONTACT AND ACCESSORIES. THE PIN CONTACT AND ACCESSORIES SHOULD BE ORDERED SEPARATELY.
5. SEE APCD-TD-118 FOR ASSEMBLY INSTRUCTION.

C-HVSL1000083X

C-HVSL1000083X

<b>DIMENSIONS</b> ANSI Y14.5M UNITS: MM Pro/E FILE	<b>TOLERANCES</b> .X ±0.3 .XX ±0.10 ANGLES ±2.0°	<b>PROJECTION</b> 	<b>TITLE</b> Amphenol Pcd Shenzhen ENGR Robin Yuan 15/09/15 CHKD APPD			<b>HVSL 1000 08 3 X</b> <b>R/A PLUG ASSEMBLY</b>		
			<b>ORIGINAL</b> NOT FOR CUSTOMER DISTRIBUTION	THIS DOCUMENT CONTAINS PROPRIETARY INFORMATION WHICH IS THE CONFIDENTIAL PROPERTY OF AMPHENOL PCD SHENZHEN			<b>SIZE</b> A3	<b>DWG NO.</b> C-HVSL1000083X
			CODE: 58982	SCALE: 7:10	SHEET 1 OF 1			

## X-ON Electronics

Largest Supplier of Electrical and Electronic Components

*Click to view similar products for [Automotive Connectors](#) category:*

*Click to view products by [Amphenol](#) manufacturer:*

Other Similar products are found below :

[003-018-000](#) [60403001](#) [60993906-B](#) [M902-2131](#) [M902-2161](#) [72.330.1035.1](#) [73.353.4028.0](#) [F119300-B](#) [F166900](#) [F258300-B](#) [F358300-B](#)  
[F407400](#) [F444110](#) [F487000](#) [F509500B-B](#) [827153-1](#) [8N1515-32-24P](#) [9-1326729-8](#) [925474-1](#) [928905-1](#) [964562-4](#) [968782-1](#) [GT17SA-8DS-](#)  
[HU](#) [98891-1012](#) [98947-1016](#) [12004475-L](#) [12010290](#) [12010309-B](#) [12015454](#) [12020219-B](#) [12020308](#) [12041318-B](#) [12052225-L](#) [12052466](#)  
[12059125](#) [12064869](#) [12004327-B](#) [12010503-B](#) [12015308](#) [12015384](#) [12015909](#) [1-21030-1](#) [12041254](#) [12041318](#) [12047946-B](#) [12047957](#)  
[12047957-L](#) [12059473](#) [12066261](#) [12110546](#)