



AMPHENOL PCD SHENZHEN



# EXCEL | MATE

## High Voltage Safety Lock

[www.amphenolpcd.com.cn](http://www.amphenolpcd.com.cn)

**INDUSTRIAL@AMPHENOL**  
TRUSTED GLOBALLY

<b>EXCEL MATE PRODUCT INTRODUCTION</b> .....	2	<b>Excel Mate Eco</b> (HVSL600/630/633/280/282/364)	
<b>Excel Mate Plus (HVSL1200)</b> .....	3	<b>HVSL600</b> .....	51
2 PIN RECEPTACLE BOX MOUNTED .....	4	RECEPTACLE .....	52
2 PIN PLUG .....	6	PLUG .....	54
2 PIN PLUG RIGHT ANGLE .....	7	HOW TO ORDER: HVSL600 .....	55
HOW TO ORDER: HVSL1200 .....	8	CHARTS: HVSL600 .....	56
CHARTS: HVSL1200 .....	9	<b>HVSL630</b> .....	57
<b>Excel Mate Plus (HVSL1000)</b> .....	10	RECEPTACLE .....	58
1 PIN RECEPTACLE .....	11	PLUG .....	60
1 PIN PLUG .....	13	HOW TO ORDER: HVSL630 .....	61
1 PIN RECEPTACLE WITHOUT INTERLOCK .....	14	CHARTS: HVSL630 .....	62
1 PIN PLUG RIGHT ANGLE .....	15	<b>HVSL633</b> .....	63
2 PIN RECEPTACLE BOX MOUNTED .....	16	RECEPTACLES .....	64
2 PIN PLUG .....	18	PLUG .....	68
2 PIN PLUG RIGHT ANGLE .....	19	HOW TO ORDER: HVSL633 .....	69
3 PIN RECEPTACLE BOX MOUNTED .....	20	CHARTS: HVSL633 .....	70
3 PIN PLUG .....	21	<b>HVSL280</b> .....	71
3 PIN PLUG RIGHT ANGLE .....	22	RECEPTACLE .....	72
ATTACHMENT .....	23	PLUG .....	74
PRODUCT SERIES OVERVIEW .....	25	HOW TO ORDER: HVSL280 .....	75
HOW TO ORDER: HVSL1000 .....	26	CHARTS: HVSL280 .....	76
CHARTS: HVSL1000 .....	27	<b>HVSL282</b> .....	77
<b>Excel Mate S (HVSL800)</b> .....	28	RECEPTACLES .....	78
2 PIN RECEPTACLE .....	29	PLUG .....	83
2 PIN STRAIGHT PLUG .....	30	HOW TO ORDER: HVSL282 .....	84
2 PIN RIGHT ANGLE PLUG .....	31	CHARTS: HVSL282 .....	85
3 PIN RECEPTACLE .....	32	<b>HVSL362</b> .....	86
3 PIN STRAIGHT PLUG .....	33	RECEPTACLE .....	87
3 PIN RIGHT ANGLE PLUG .....	34	PLUG .....	89
HOW TO ORDER: HVSL800 .....	35	HOW TO ORDER: HVSL362 .....	90
CHARTS: HVSL800 .....	36	CHARTS: HVSL362 .....	91
<b>Excel Mate Metal (HVSL600)</b> .....	37	<b>HVSL364</b> .....	92
2 PIN RECEPTACLE .....	38	RECEPTACLE .....	93
2 PIN STRAIGHT PLUG .....	39	PLUG .....	95
2 PIN RIGHT ANGLE PLUG .....	40	HOW TO ORDER: HVSL364 .....	96
3 PIN RECEPTACLE .....	41	<b>Excel Mate PT</b> .....	97
3 PIN STRAIGHT PLUG .....	42	1 POSITION .....	98
3 PIN RIGHT ANGLE PLUG .....	43	2 POSITION .....	101
HOW TO ORDER: HVSL600 .....	44	3 POSITION .....	103
CHARTS: HVSL600 .....	45	<b>HVPT B</b> .....	105
<b>Excel Mate Metal (HVSL800)</b> .....	46	2 POSITION .....	106
RECEPTACLE .....	47	3 POSITION .....	107
STRAIGHT PLUG .....	48	<b>HVPT B 2A</b> .....	108
RIGHT ANGLE PLUG .....	49	<b>HVPC</b> .....	109
HOW TO ORDER: HVSL800 .....	50	<b>HVPC 800</b> .....	112

# PRODUCT INTRODUCTION



When high-performance and increased safety are required in xEV, Amphenol PCD's **Excel|Mate** connectors fulfil the challenge.

HVSL Series is designed to meet AK standards for various xEV applications, including power and signal interconnect solutions. Different versions are available, from 1 position to 4 positions and a rated current from 23A to 350A.

Product	HVSL1200	HVSL1000	HVSL800	HVSL800	HVSL600	HVSL600	HVSL630	HVSL633	HVSL280	HVSL282	HVSL362	HVSL364
Position	2	1, 2, 3	2, 3	2	2, 3	1	2	3	3	2	2	4
Rated Voltage	1000V	1000V	1000V	1000V	1000V	800V	800V	800V	800V	800V	800V	800V
Rated Current	350A	250A	180A	180A	120A	120A	40A	40A	23A	32A	60A	46A
HVIL	√	√	√	√	√	√	√	√	√	√	√	√
Shielding	√	√	√	√	√	√	√	√	√	√	√	√
Shell	Plastic	Plastic	Plastic	Metal	Metal	Plastic	Plastic	Plastic	Plastic	Plastic	Plastic	Plastic
IP67,IP6K9K	√	√	√	√	√	√	√	√	√	√	√	√
Touch-Proof IP2XB	√	√	√	√	√	√	√	√	√	√	√	√
Cable size mm <sup>2</sup>	70 to 95	25 to 70	25 to 50	25 to 50	16 to 25	25	4 to 6	2.5 to 6	2.5 to 4	2.5 to 4	6 to 10	2.5 to 6
Cable type shielded wire	Individually	Individually	Individually	Individually	Individually	Individually	Multicore	Individually	Multicore	Individually	Individually	Individually

## Excel|Mate (HVSL1200)



### High Voltage Safety Lock

HVSL1200, which is the latest generation of the Excel|Mate series, has been specially designed for use in xEV applications.

The RADSOK® Technology R4 version 12mm and an interlock solution ensure a safe and reliable connection.

### KEY FEATURES

With interlock solution

RADSOK® Technology R4 version 12mm

Shielding performance: EMI/RFI 60DB

Sealing, IP67 (mated), IP6K9K

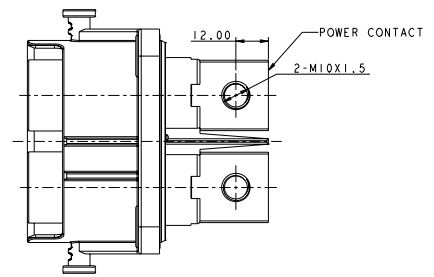
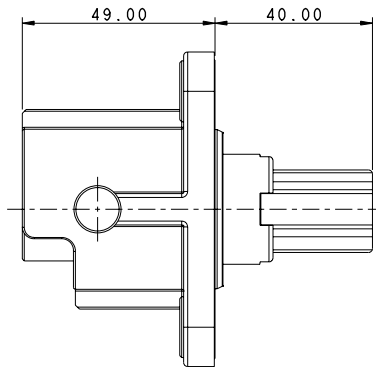
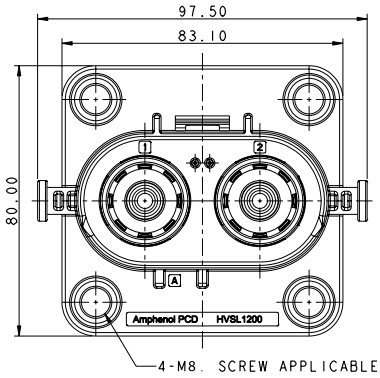
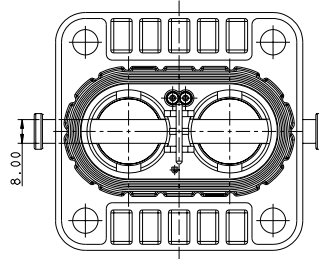
Touch-proof, IP2XB

Multiple coding positions

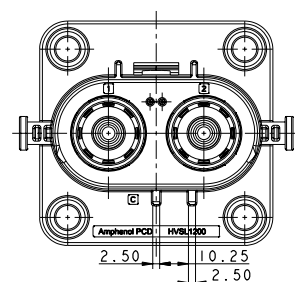
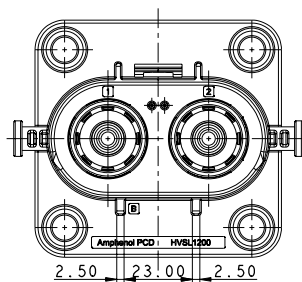
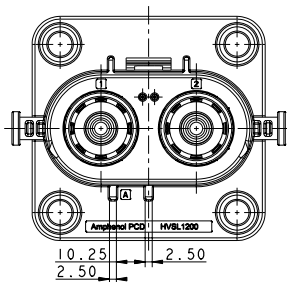
APPLICATIONS	
xEV Battery	
Inverters	
Junction boxes	
Power distribution boxes	
MECHANICAL	
Durability	≥ 50 mating cycles
Wire range	70mm <sup>2</sup> to 95mm <sup>2</sup>
ELECTRICAL	
Rated voltage	1000V DC
Rated current	350A Max @ ambient temperature 70°C
Insulator resistance	> 200MΩ
Dielectric withstand voltage	3000V AC
ENVIRONMENTAL	
Sealing	IP67, IP6K9K (mated)
Touch-proof	IP2XB
Temperature range	-40°C to 125°C
Inflammability	UL94V0
STANDARDS	
USCAR-2	
USCAR37	
LV-215	
RoHS	

# Excel|Mate Max (HVSL 1200)

## 2 PIN RECEPTACLE BOX MOUNTED



## INSERT ORIENTATIONS

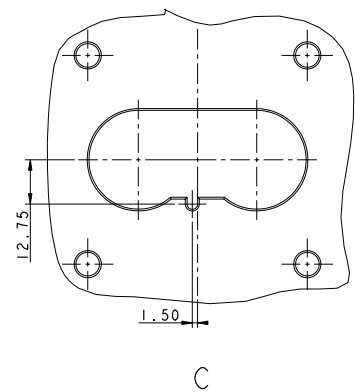
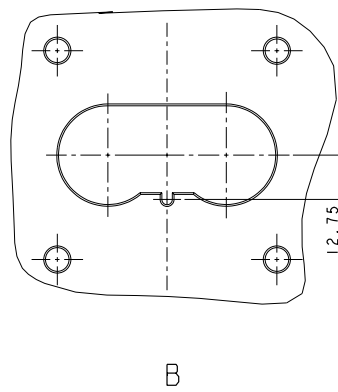
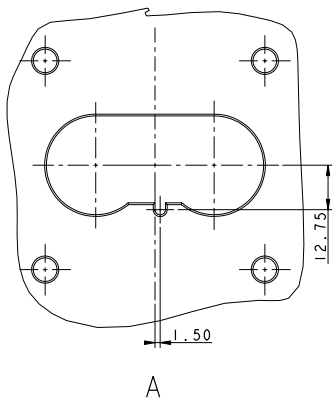
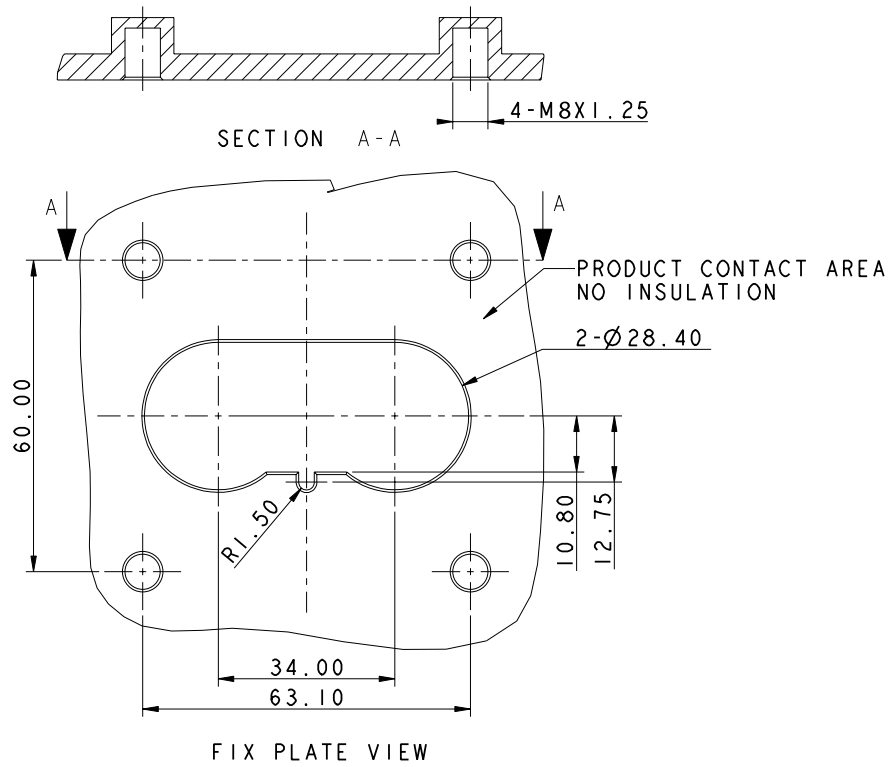


A  
P/N HVSL1200 02 2 A

B  
P/N HVSL1200 02 2 B

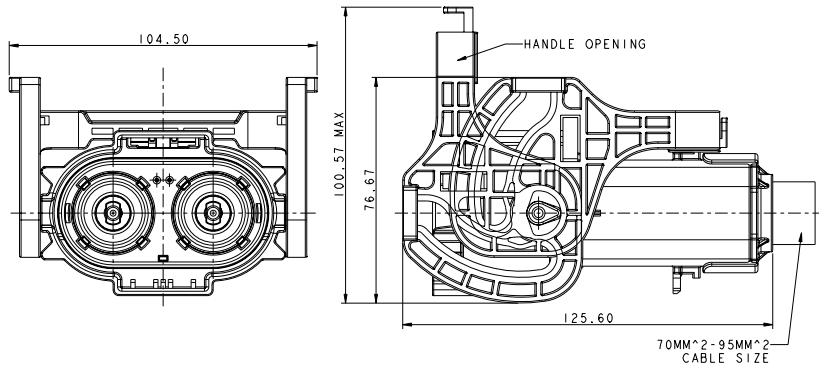
C  
P/N HVSL1200 02 2 C

PANEL MOUNTING DIMENSIONS

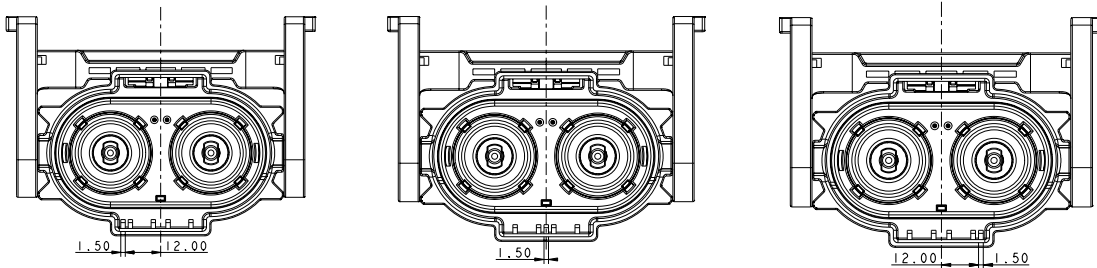


# ExcelMate Max (HVSL 1200)

## 2 PIN PLUG

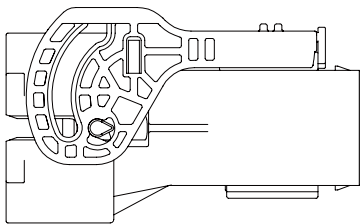


## INSERT ORIENTATIONS

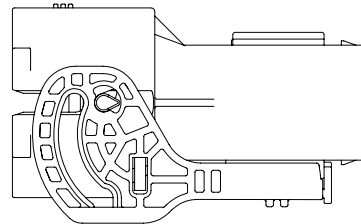


	A	B	C
P/N	HVSL1200 06 2 A	HVSL1200 06 2 B	HVSL1200 06 2 C

## LEVER POSITION

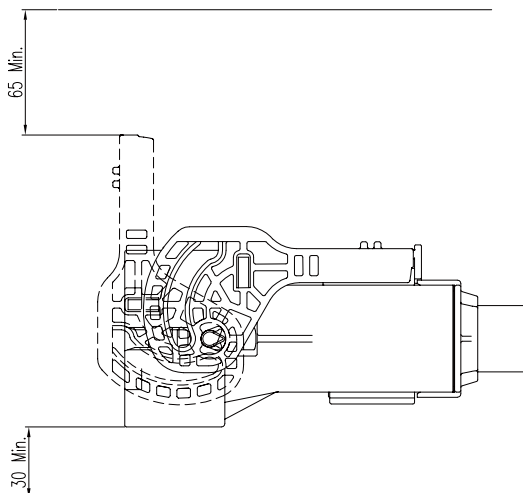


STANDARD LEVER

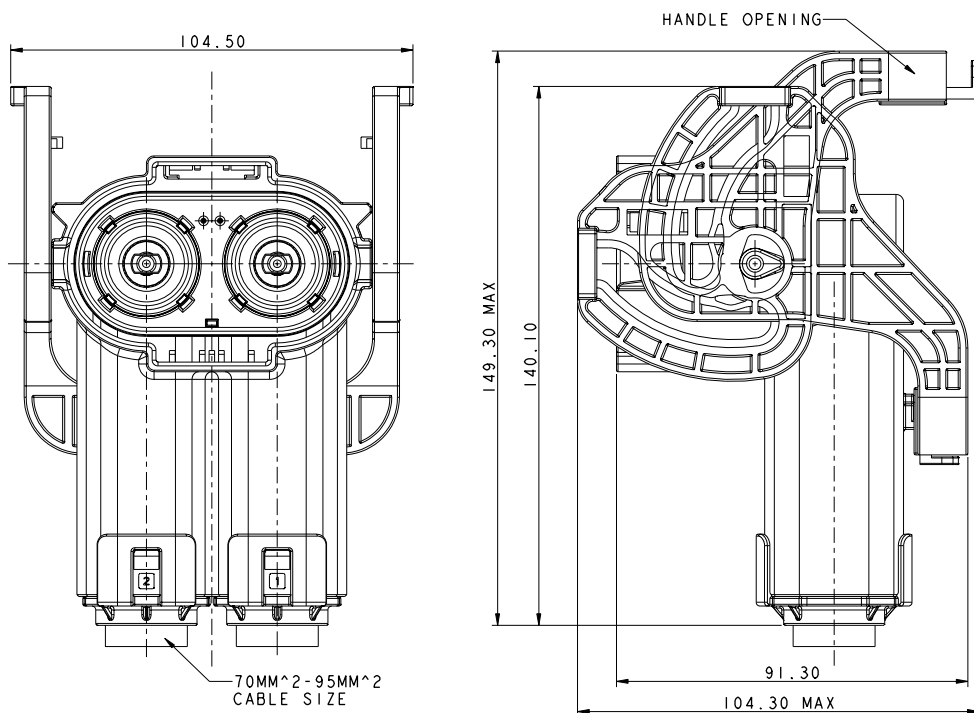


REVERSE LEVER

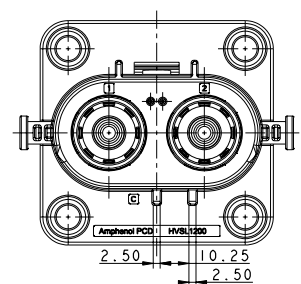
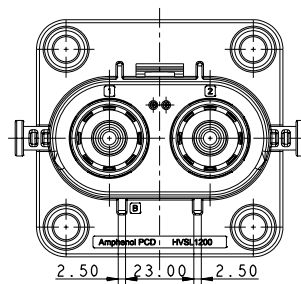
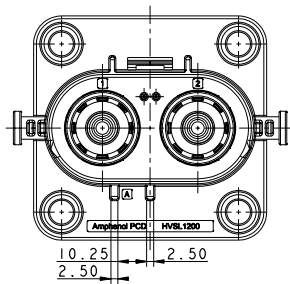
## INSTALLATION CLEARANCE



## 2 PIN PLUG RIGHT ANGLE



## INSERT ORIENTATIONS



	A	B	C
P/N	HVSL1200 08 2 A	HVSL1200 08 2 B	HVSL1200 08 2 C



# HOW TO ORDER (HVSL 1200)

## HOW TO ORDER: PLUG

	HVSL1200	06	2	A	0	70
<b>Product type:</b>						
06: Straight plug						
08: Right angle plug						
<b>Position:</b>						
2: 2 position						
<b>Coding / Alternate position:</b>						
A: Coding A						
B: Coding B						
C: Coding C						
<b>Interlock:</b>						
0: Without interlock						
1: With interlock						
<b>Cable size:</b>						
70: 70mm <sup>2</sup> cable						
95: 95mm <sup>2</sup> cable						

## HOW TO ORDER: RECEPTACLE

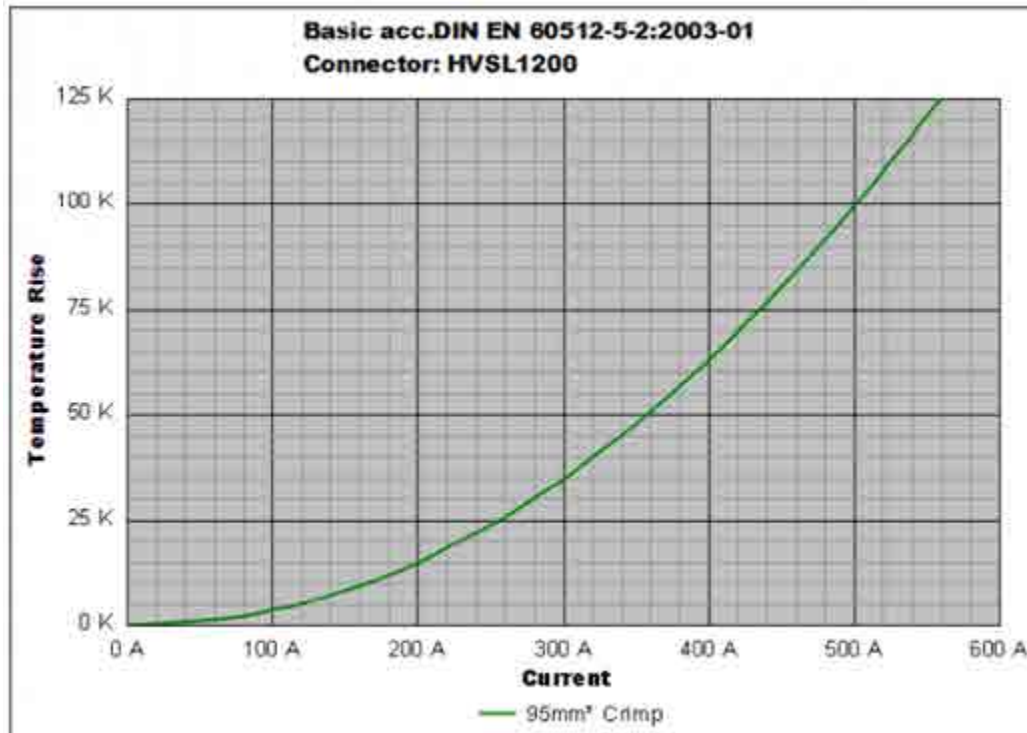
	HVSL1200	02	2	A	0	H10
<b>Product type:</b>						
02: Box mounted receptacle						
<b>Position:</b>						
2: 2 position						
<b>Coding / Alternate position:</b>						
A: Coding A						
B: Coding B						
C: Coding C						
<b>Interlock:</b>						
0: Without interlock						
1: With interlock						
<b>Cable size:</b>						
H10: OT terminal						

## EXTRACTION TOOL FOR RECEPTACLE

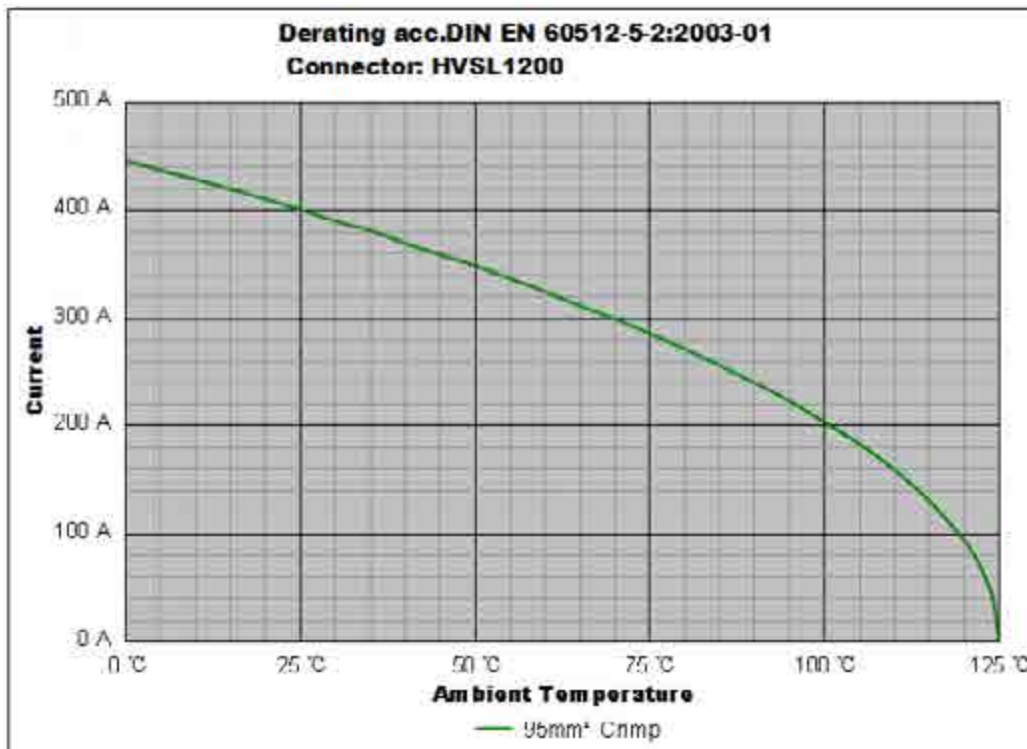
HVIL-contact Extraction tool: HVTOOL10R



## HVSL 1200 | Temperature Rise



## HVSL 1200 | Derating Curve



Remark: tests carried out on the complete connector.

# Excel|Mate Plus (HVSL 1000)

## Excel|Mate Plus



### High Voltage Safety Lock

Excel|Mate Plus offers a max rated voltage up to 1000V and a max rated current of 250A. It can be used for power solutions in various xEV applications.

External HVIL for 1 position and internal HVIL for 2 to 3 positions.

### KEY FEATURES

With interlock solution

RADSOK® Technology R4 version  
10mm

Shielding performance: EMI/RFI 60DB

AK compliance LV215

Sealing, IP67 (mated), IP6K9K

1 to 3 positions available

Touch-proof, IP2XB

Multiple coding positions

### APPLICATIONS

xEV Battery

Inverters

Junction boxes

Power distribution boxes

### MECHANICAL

Durability  $\geq 50$  mating cycles

Wire range 25 to 70 mm<sup>2</sup>

### ELECTRICAL

Rated voltage 1000V DC

Rated current 250A Max @ ambient temperature 70°C

Insulator resistance  $> 200M\Omega$

Dielectric withstand voltage 3000V AC

### ENVIRONMENTAL

Sealing IP67, IP6K9K (mated)

Touch-proof IP2XB

Temperature range -40°C to 125°C

Inflammability UL94V0

### STANDARDS

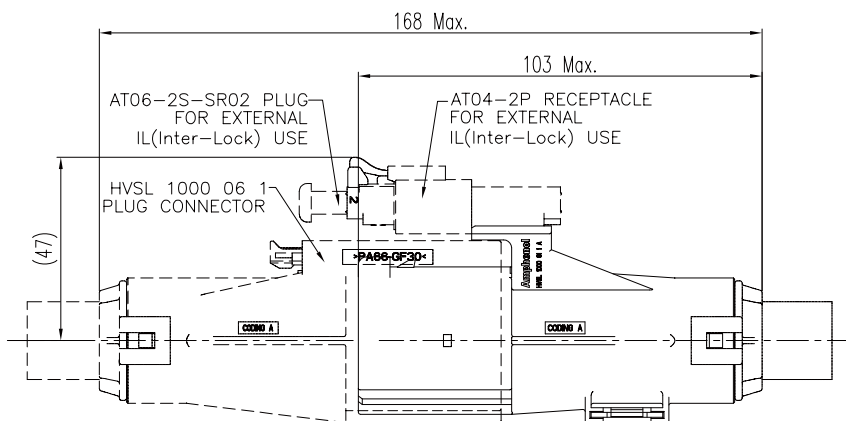
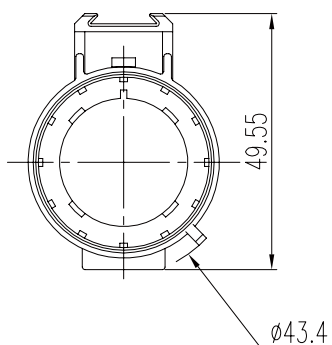
USCAR-2

USCAR-37

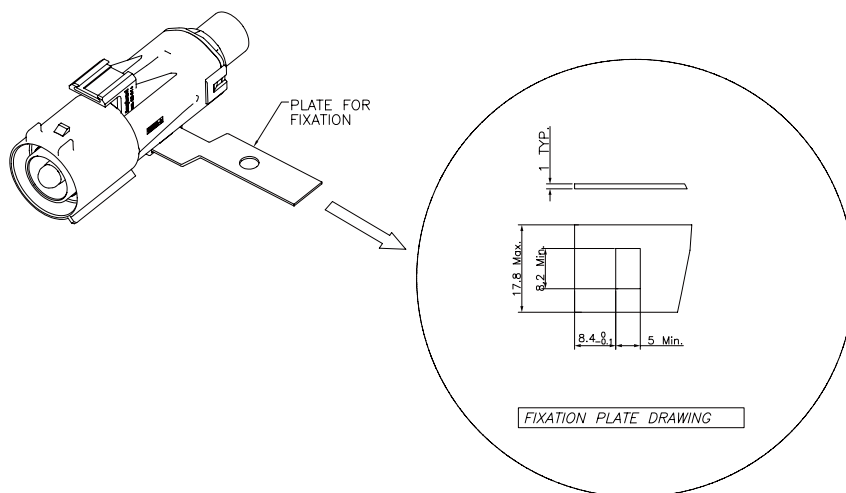
LV-215

RoHS

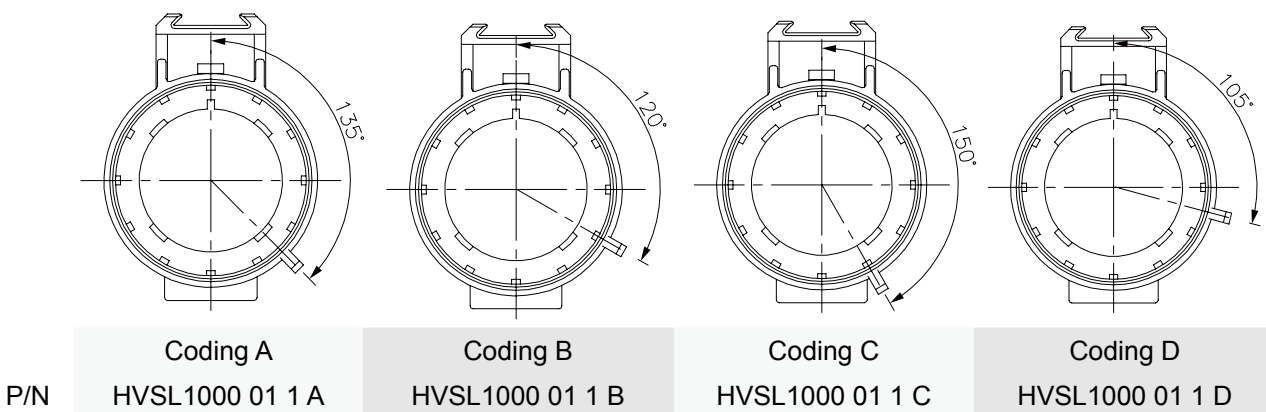
## RECEPTACLE IN-LINE



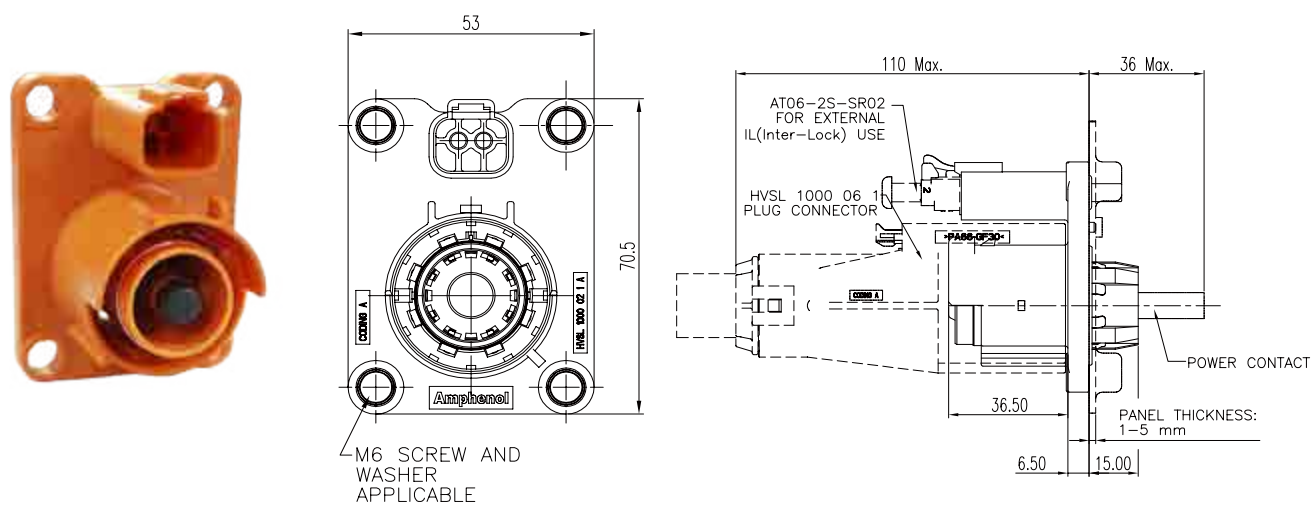
## MOUNTED GROOVE



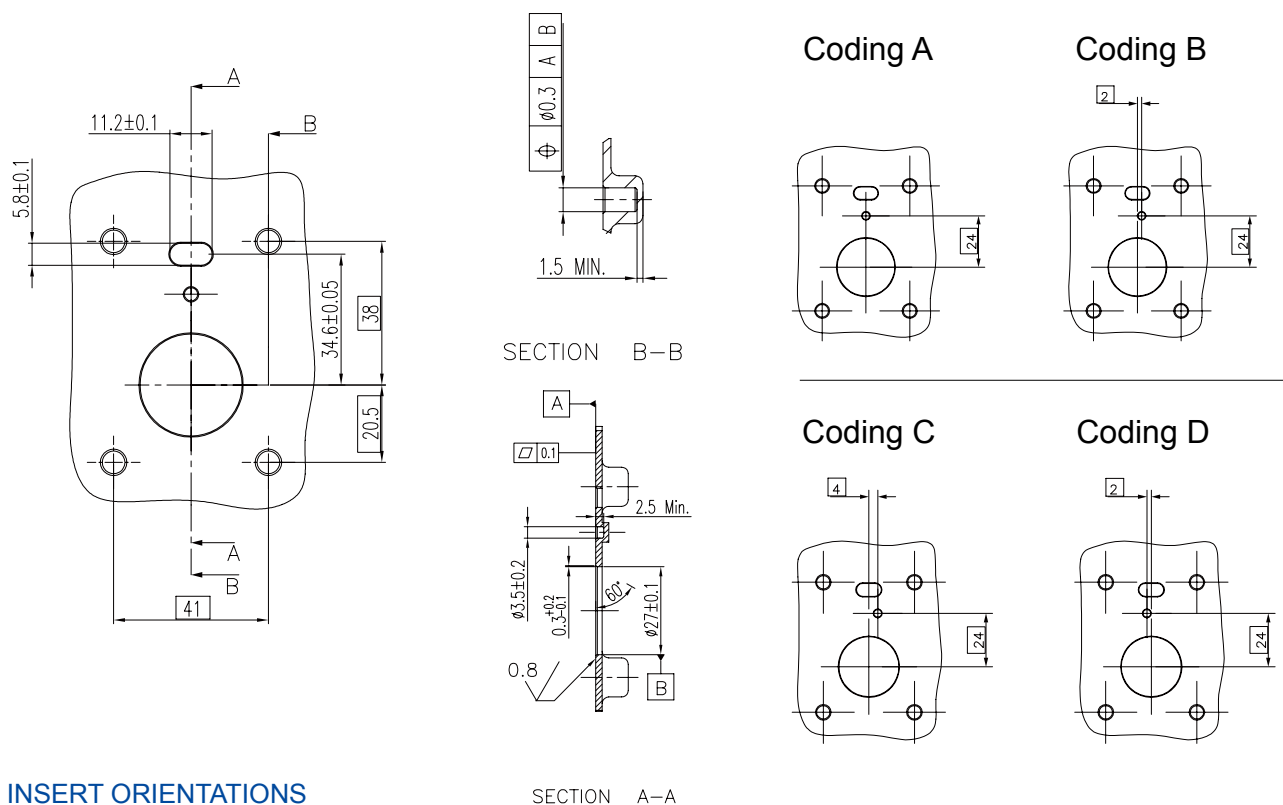
## INSERT ORIENTATIONS



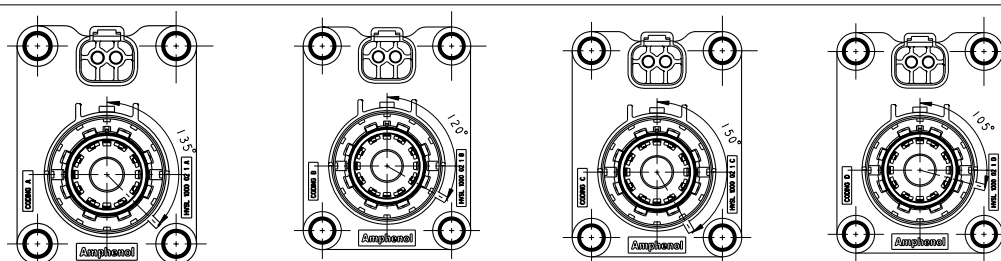
## RECEPTACLE BOX MOUNTED



## PANEL MOUNTING DIMENSIONS

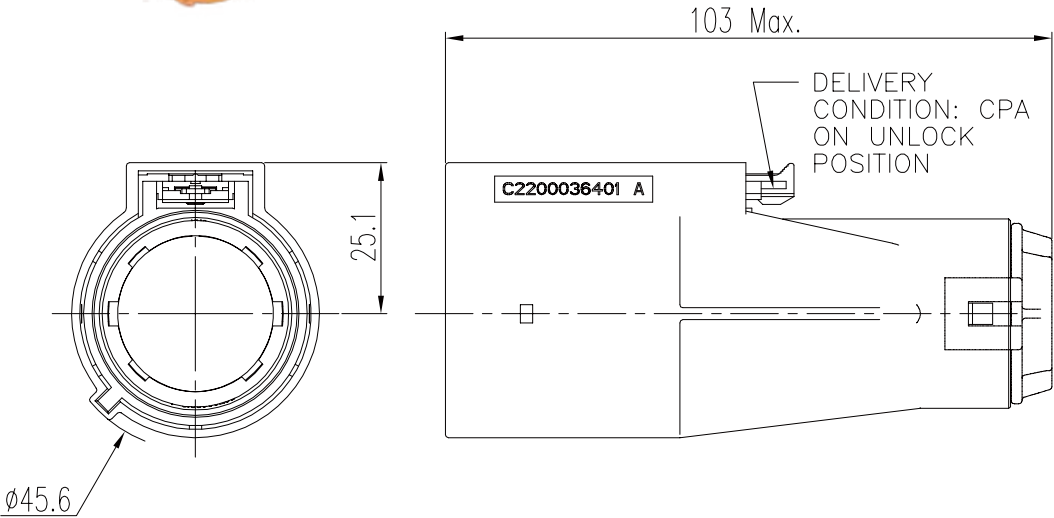


## INSERT ORIENTATIONS

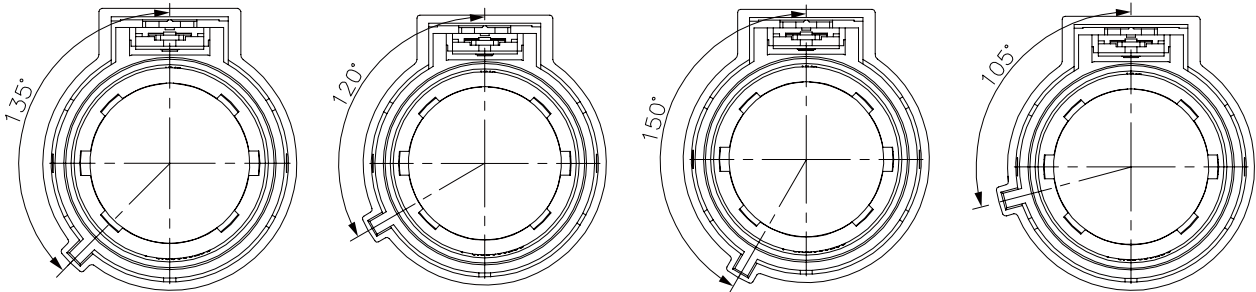


	Coding A	Coding B	Coding C	Coding D
P/N	HVSL1000 02 1 A	HVSL1000 02 1 B	HVSL1000 02 1 C	HVSL1000 02 1 D

PLUG

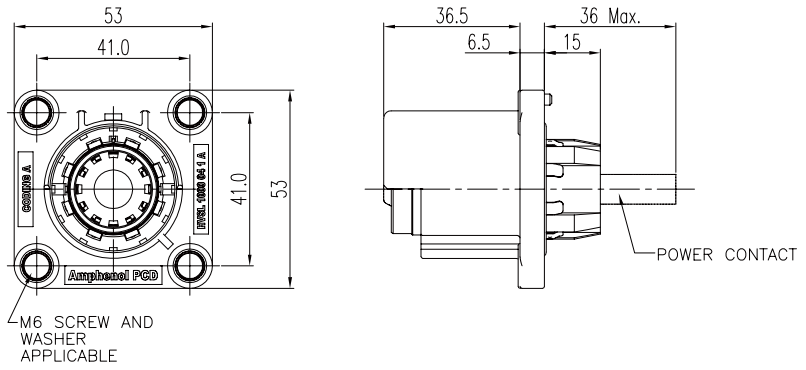


INSERT ORIENTATIONS

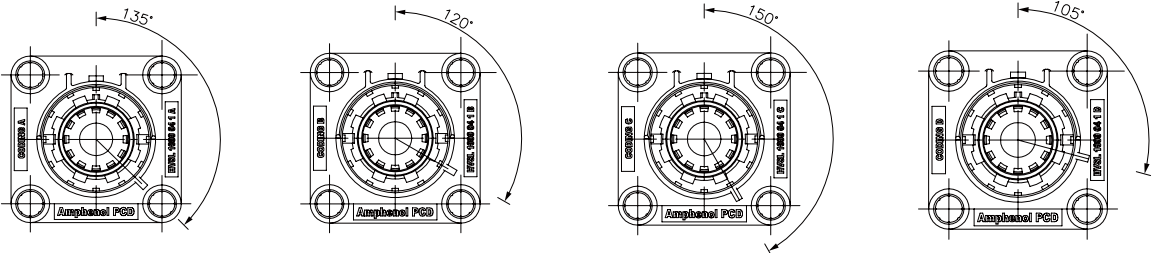


	Coding A	Coding B	Coding C	Coding D
P/N	HVSL1000 06 1 A	HVSL1000 06 1 B	HVSL1000 06 1 C	HVSL1000 06 1 D

## RECEPTACLE BOX MOUNTED **WITHOUT INTERLOCK**

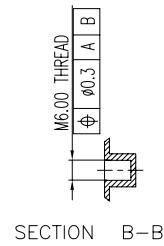
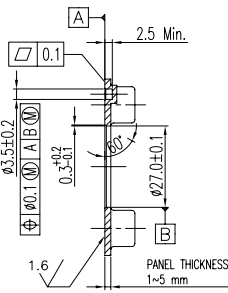
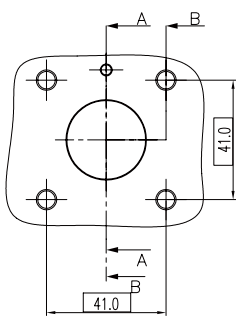


## INSERT ORIENTATIONS

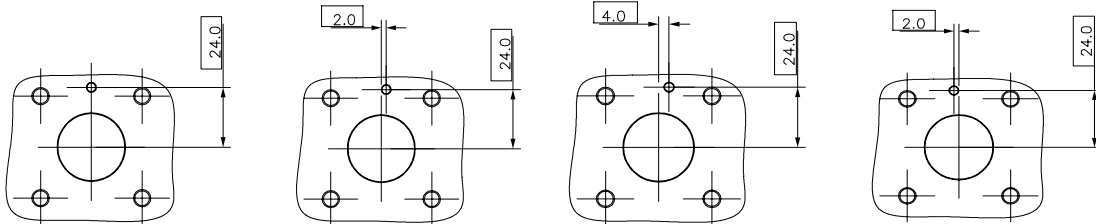


	Coding A	Coding B	Coding C	Coding D
P/N	HVSL1000 04 1 A	HVSL1000 04 1 B	HVSL1000 04 1 C	HVSL1000 04 1 D

## PANEL MOUNTING DIMENSIONS

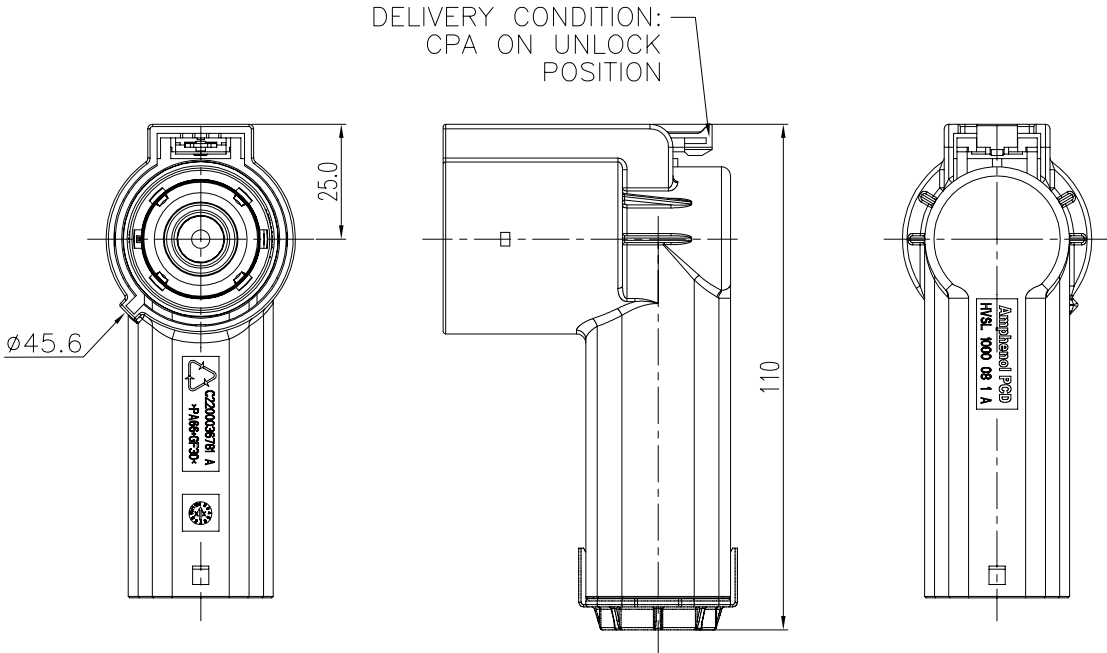


SECTION A-A

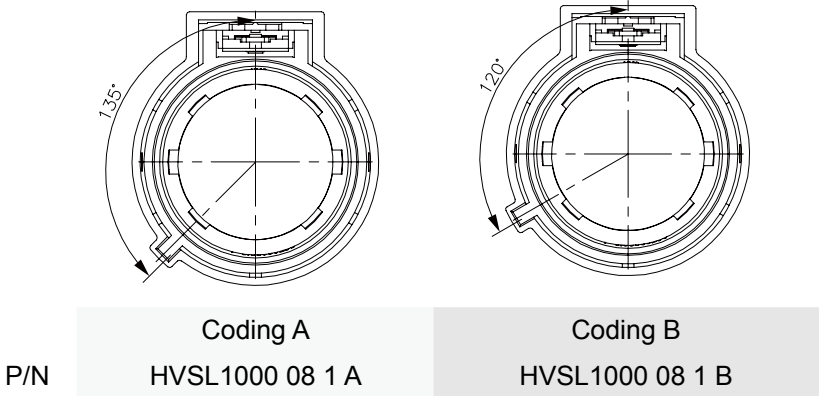


Coding A	Coding B	Coding C	Coding D
----------	----------	----------	----------

PLUG RIGHT ANGLE



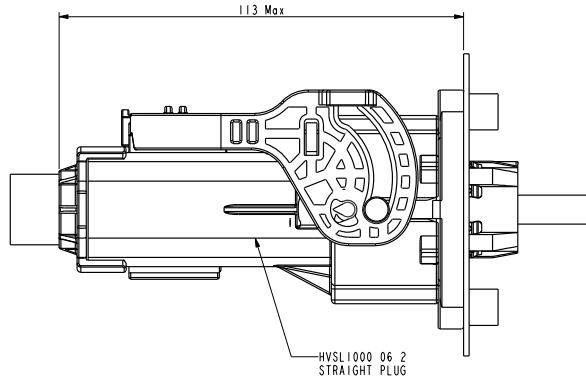
INSERT ORIENTATIONS



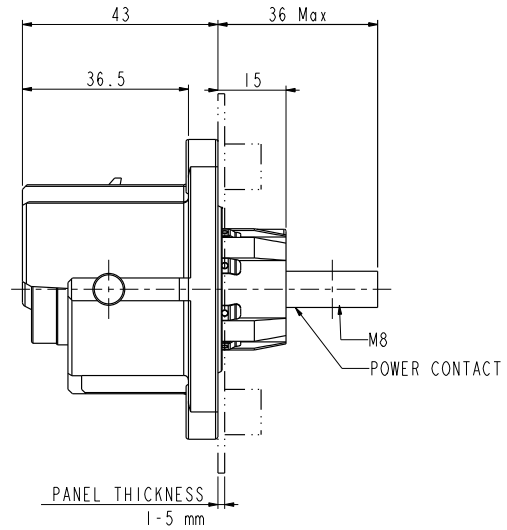
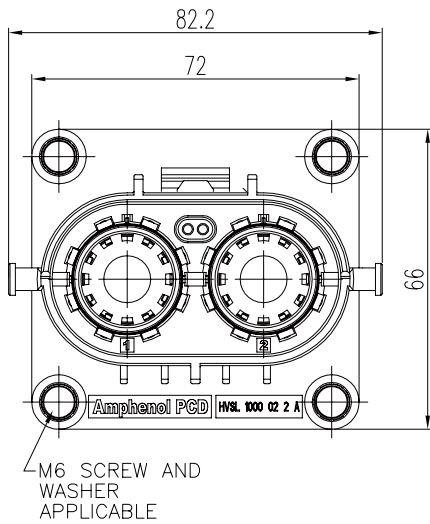


# Excel|Mate Plus (HVSL 1000)

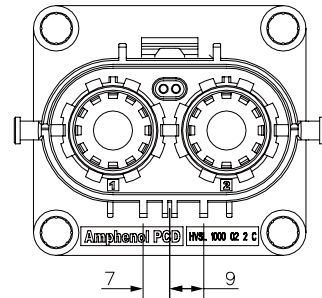
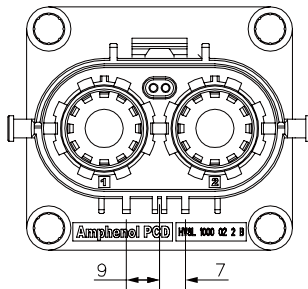
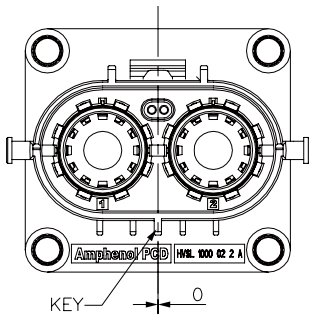
## 2 PIN RECEPTACLE BOX MOUNTED



CONNECTOR MATED OUTLINE

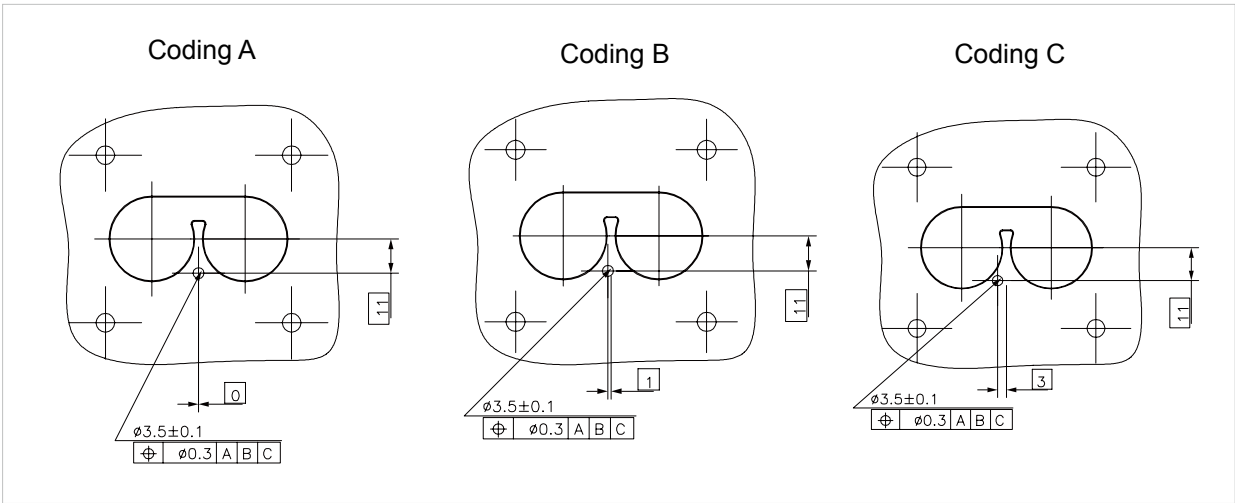
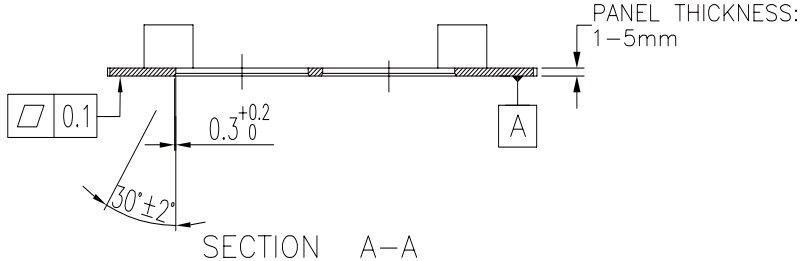
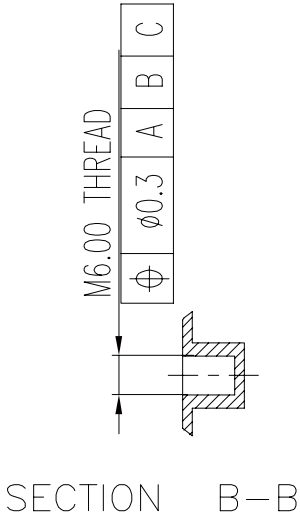
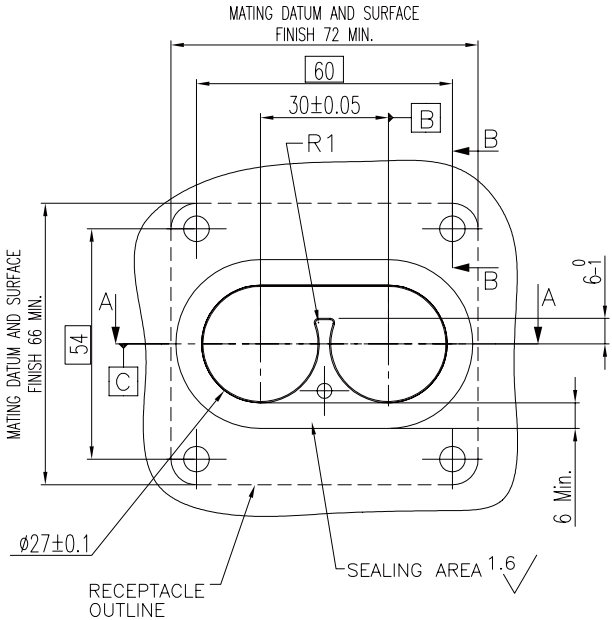


## INSERT ORIENTATIONS



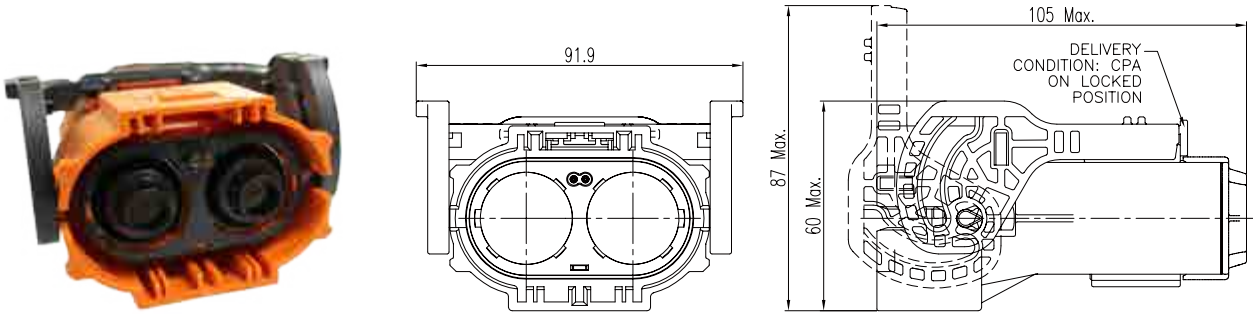
	Coding A	Coding B	Coding C
P/N	HVSL1000 02 2 A	HVSL1000 02 2 B	HVSL1000 02 2 C

PANEL MOUNTING DIMENSIONS

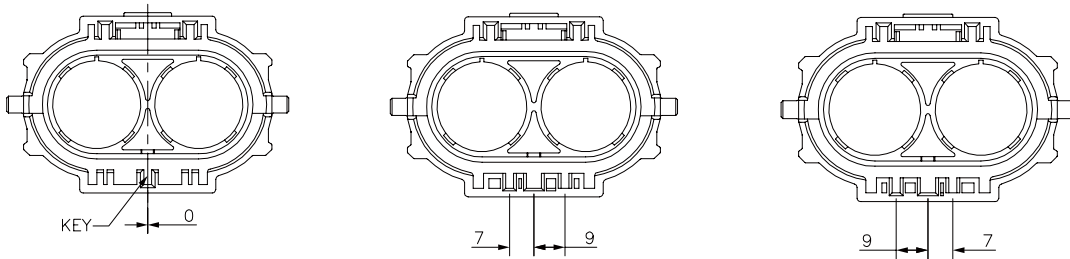


# ExcelMate Plus (HVSL 1000)

## 2 PIN PLUG

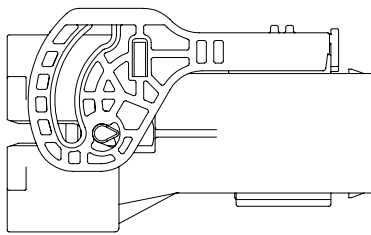


## INSERT ORIENTATIONS

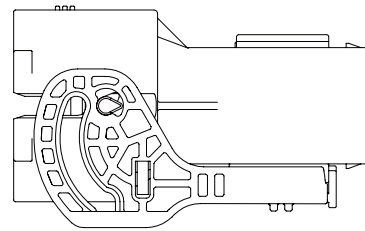


	Coding A	Coding B	Coding C
P/N	HVSL1000 06 2 A	HVSL1000 06 2 B	HVSL1000 06 2 C

## LEVER POSITION

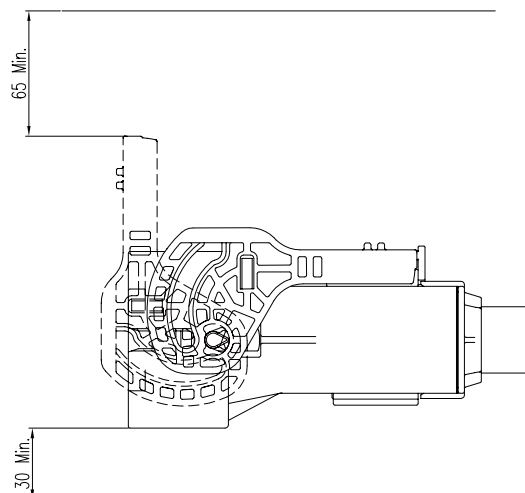


STANDARD LEVER

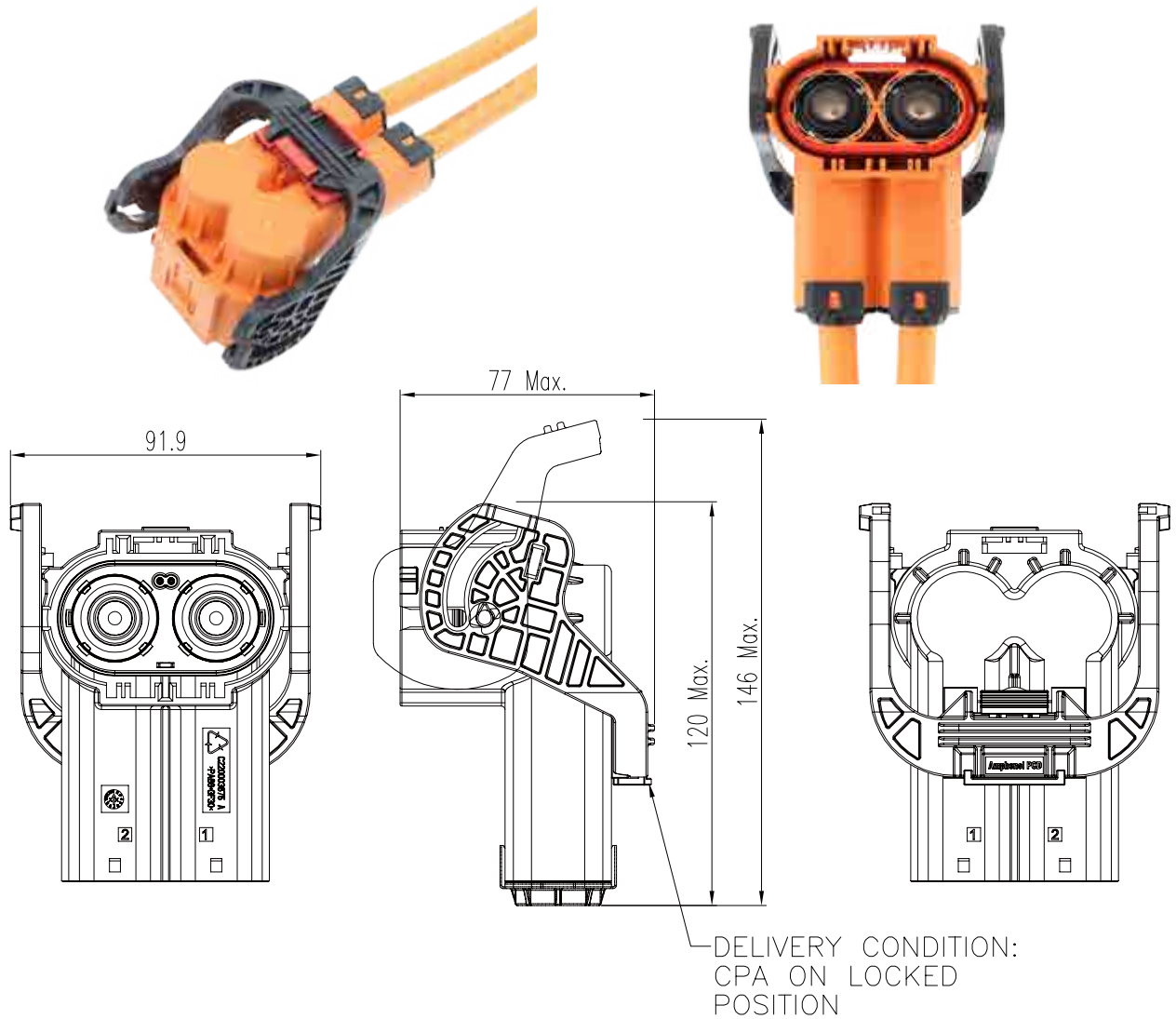


REVERSE LEVER

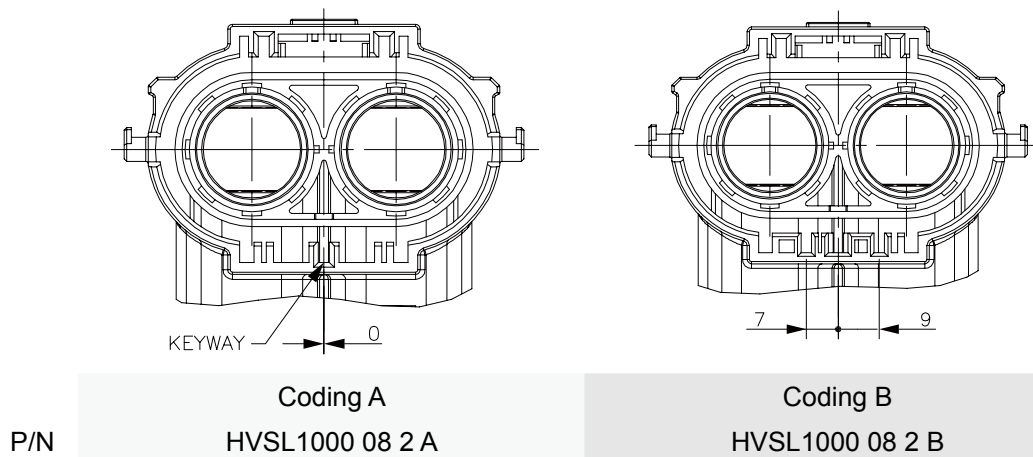
## INSTALLATION CLEARANCE



2 PIN PLUG RIGHT ANGLE

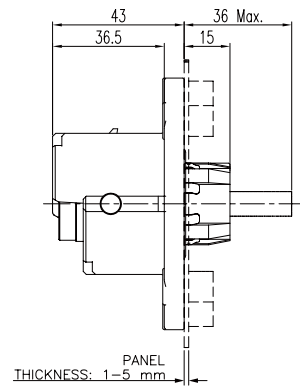
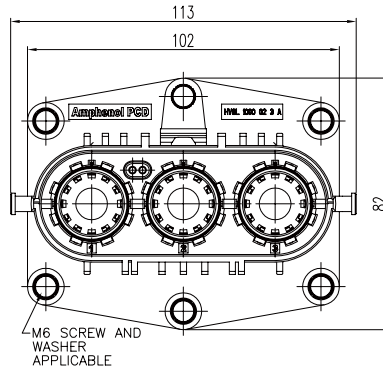


INSERT ORIENTATIONS

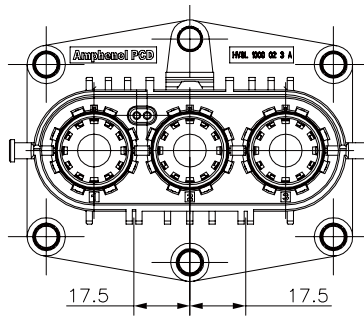


# ExcelMate Plus (HVSL 1000)

## 3 PIN RECEPTACLE BOX MOUNTED



## INSERT ORIENTATIONS

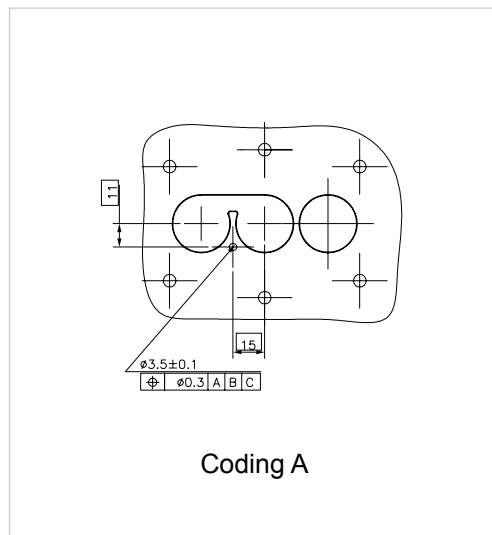
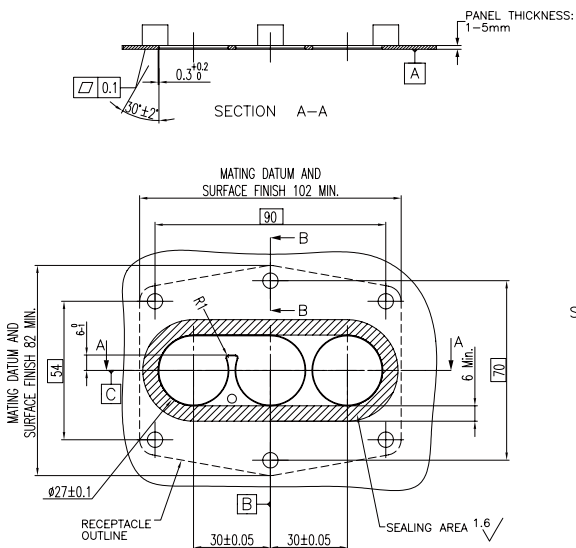


Coding A

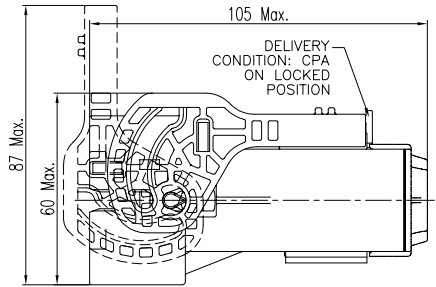
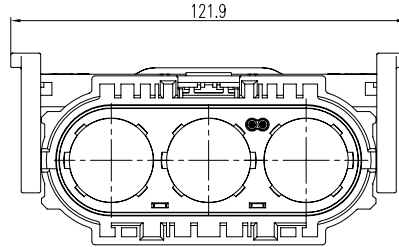
P/N

HVSL1000 02 3 A

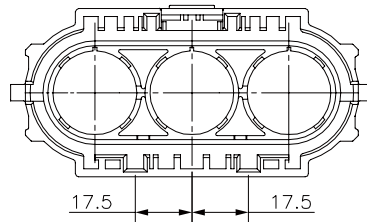
## PANEL MOUNTING DIMENSIONS



### 3 PIN PLUG



### INSERT ORIENTATIONS

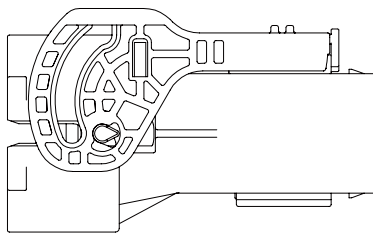


Coding A

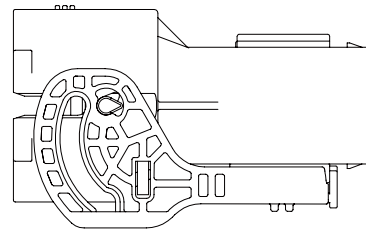
P/N

HVSL1000 06 3 A

### LEVER POSITION

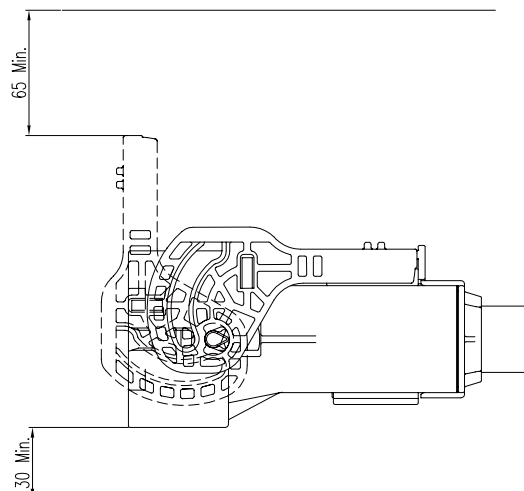


STANDARD LEVER



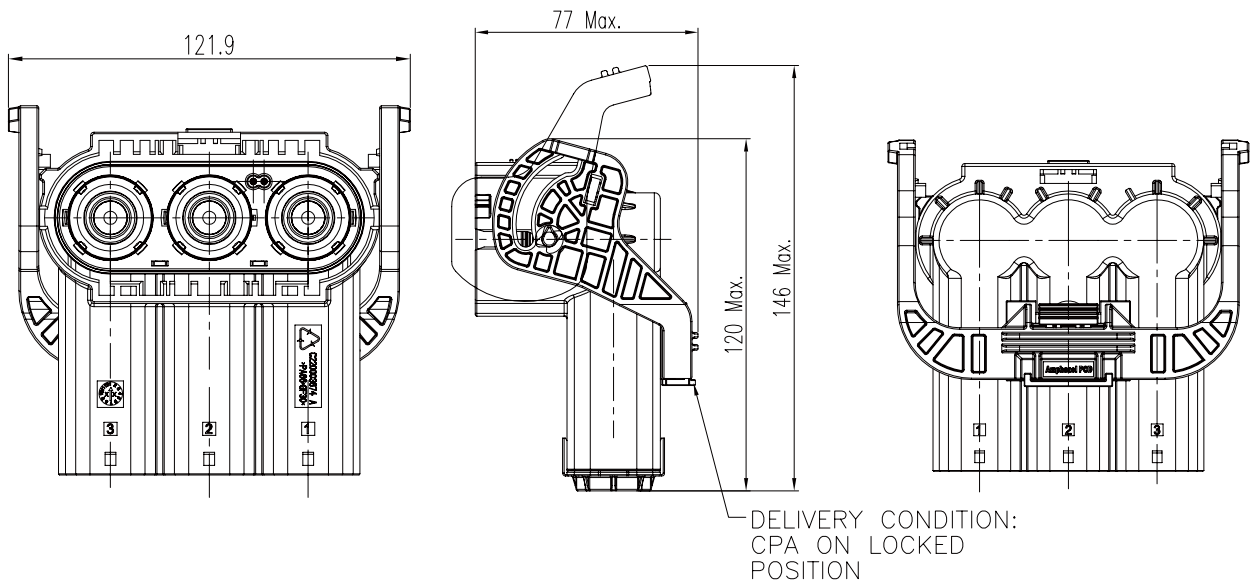
REVERSE LEVER

### INSTALLATION CLEARANCE

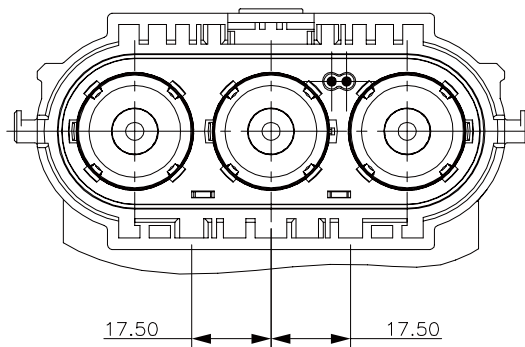


# Excel|Mate Plus (HVSL 1000)

## 3 PIN PLUG RIGHT ANGLE



## INSERT ORIENTATIONS

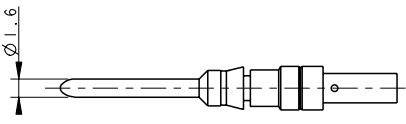
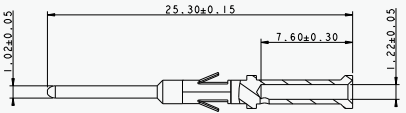
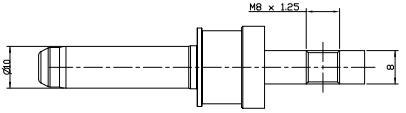
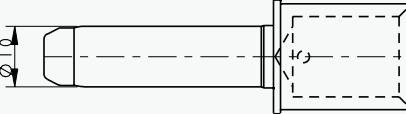
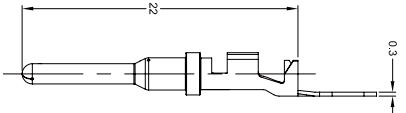
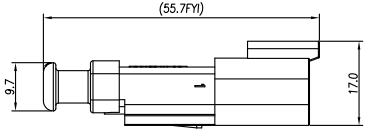
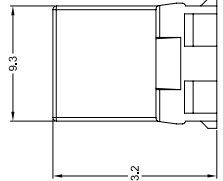


P/N

Coding A  
HVSL1000 08 3 A

## ATTACHMENT: CONTACTS FOR RECEPTACLE

All connectors include contacts. For extra contacts, please order them separately (ref: P/N below)

Name	Contact P/N & Wire Size	Drawing
1 Pin Box mounted receptacle for Interlock	C42000400504G  0.5mm <sup>2</sup> max wire	
2 or 3 pin for Interlock	C200003609  0.5mm <sup>2</sup> max wire	
Power contact Thread for Bus-bar	C4200036152	
Power contact Crimp for wire	C42000361511 - 70mm <sup>2</sup> wire C42000361512 - 50mm <sup>2</sup> wire C42000361513 - 35mm <sup>2</sup> wire C42000361514 - 25mm <sup>2</sup> wire	
1 Pin: In-line receptacle for Interlock	AT60-16-0622  0.5mm <sup>2</sup> max wire	
	AT04-2P-SR02BLK  0.5mm <sup>2</sup> max wire	
	AW2P	



# CONTACTS FOR RECEPTACLE

## ATTACHMENT: CONTACTS FOR PLUG

All connectors include contacts. For extra contacts, please order them separately (ref: P/N below)

Name	Contact P/N & Wire Size	Drawing
1 Pin HVIL plug	C210003610	
1 Pin (For In-line plug) Rope for Interlock	C210003608 (Order with HVIL plug)	
1 Pin (For R/A plug) Rope for Interlock	C210003611 (Order with HVIL plug)	
Socket contact	C4200036161 - 70mm <sup>2</sup> wire C4200036162 - 50mm <sup>2</sup> wire C4200036163 - 35mm <sup>2</sup> wire C4200036164 - 25mm <sup>2</sup> wire	
Kit of socket insert For plug	C4220036011 - 70mm <sup>2</sup> wire C4220036012 - 50mm <sup>2</sup> wire C4220036013 - 35mm <sup>2</sup> wire C4220036014 - 25mm <sup>2</sup> wire	
Kit of socket insert For receptacle in-line	C4220036021 - 70mm <sup>2</sup> wire C4220036022 - 50mm <sup>2</sup> wire C4220036023 - 35mm <sup>2</sup> wire C4220036024 - 25mm <sup>2</sup> wire	
Power contact - rear Crimp for wire for right angle plug	C4220036031 - 70mm <sup>2</sup> wire C4220036032 - 50mm <sup>2</sup> wire C4220036033 - 35mm <sup>2</sup> wire C4220036034 - 25mm <sup>2</sup> wire	

HVSL 1000 | PRODUCT SERIES OVERVIEW

Single pin  
(HVIL External)



In-line receptacle



In-line plug

Single pin  
(Without HVIL)



2 pin  
(HVIL Integrated)



3 pin  
(HVIL Integrated)



# HOW TO ORDER (HVSL 1000)

## HOW TO ORDER: PLUG

HVSL1000	06	1	A	0	35
<b>Product type:</b> 06: Straight plug   08: Right angle plug					
<b>Position:</b> 1: 1 position   2: 2 position   3: 3 position					
<b>Coding / Alternate position:</b> A: Coding A B: Coding B (Only for 2 & 3 positions) C: Coding C (Only for 2 & 3 positions) D: Coding D (Only for 1 position)					
<b>Interlock:</b> 0: Without interlock   1: With interlock					
<b>Cable size:</b> 25: 25mm <sup>2</sup> cable   35: 35mm <sup>2</sup> cable   50: 50mm <sup>2</sup> cable   70: 70mm <sup>2</sup> cable					

## HOW TO ORDER: RECEPTACLE

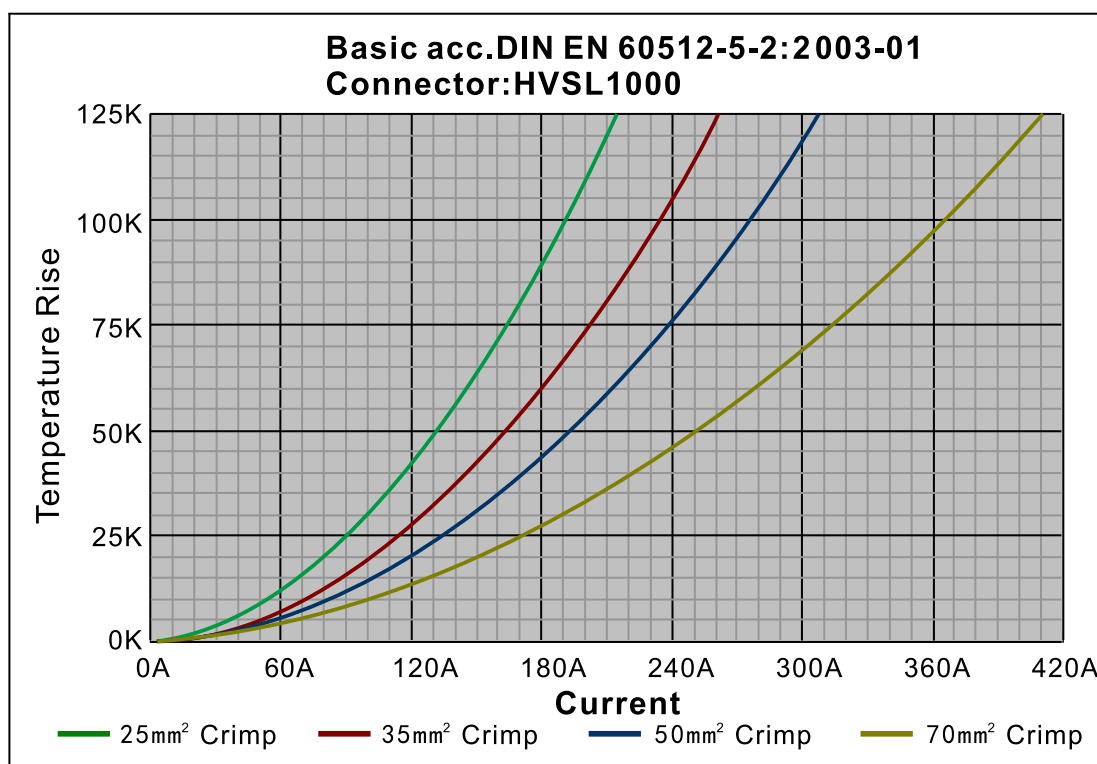
HVSL1000	01	1	A	0	H8
<b>Product type:</b> 01: In-line receptacle 02: Box mounted receptacle 04: Box mounted receptacle without Interlock					
<b>Position:</b> 1: 1 position   2: 2 position   3: 3 position					
<b>Coding / Alternate position:</b> A: Coding A B: Coding B (Only for 2 & 3 positions) C: Coding C (Only for 2 & 3 positions) D: Coding D (Only for 1 position)					
<b>Interlock:</b> 0: Without interlock   1: With interlock					
<b>Cable size:</b> H8: OT terminal					

## EXTRACTION TOOL FOR RECEPTACLE

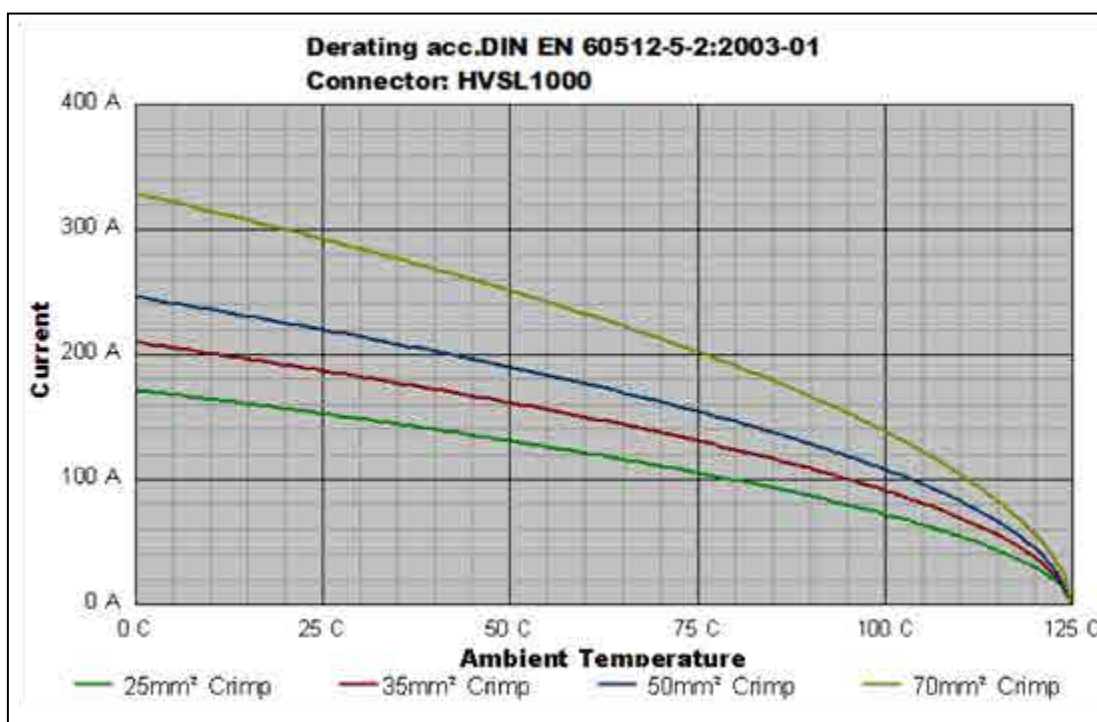
HVIL-contact Extraction tool: HVTOOL10R



HVSL 1000 | Temperature Rise



HVSL 1000 | Derating Curve



Remark: tests carried out on the complete connector.

# Excel|Mate S (HVSL 800)

## Excel|Mate S



### Excel|Mate S

Excel|Mate S is a 2 pin and 3 pin connector with a current carrying capacity from 120 to 180A and 25 to 50 mm<sup>2</sup> crimping cable.

Specially designed for battery, inverters, junction boxes, power distribution boxes and others xEV devices' equipment.

### KEY FEATURES

- Integrated internal HVIL
- Current rating up to 180A
- No tool required to unmate
- Sealing, IP67 , IP6K9K
- Touch-proof, IP2XB
- Multiple coding positions
- CPA available

### MECHANICAL

Durability	≥ 50 mating cycles
Wire range	25 to 50 mm <sup>2</sup> shielded wire
Insertion and extraction force	< 100N
Connection type	Copper bar
HVIL	Integrated
CPA	CPA

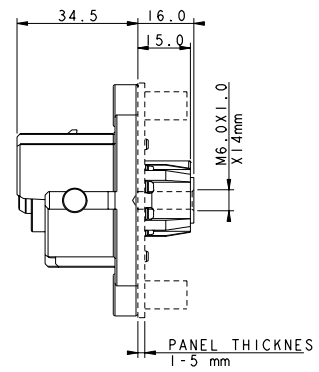
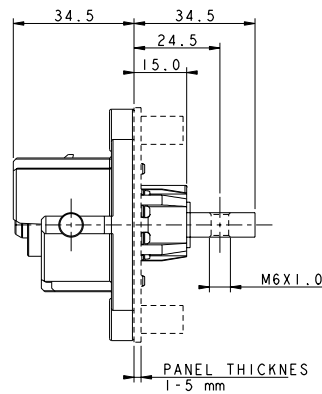
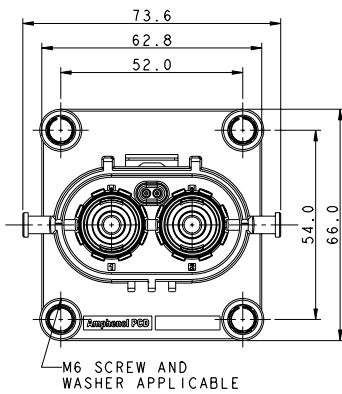
### ELECTRICAL

Rated voltage	1000V DC
Rated current	Max 180A @ ambient temperature 70°C
Insulator resistance	> 200MΩ
Dielectric withstand voltage	3000V AC
Shielding	360° from wire to device

### ENVIRONMENTAL

Sealing	IP67, IP6K9K (mated)
Touch-proof	IP2XB
Temperature range	-40°C to 125°C

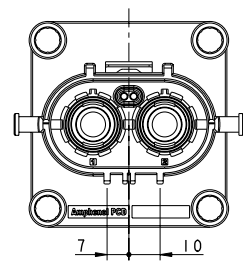
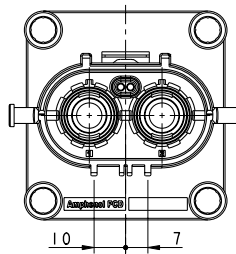
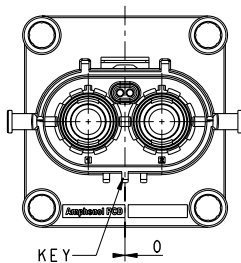
2 PIN RECEPTACLE



POWER CONTACT  
HOLE TERMINATION

POWER CONTACT  
SCREW TERMINATION - INTERNAL

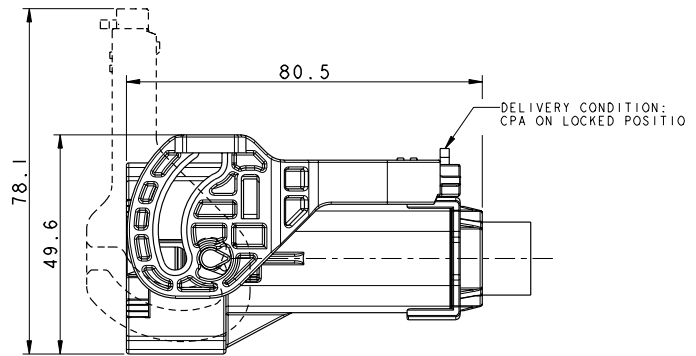
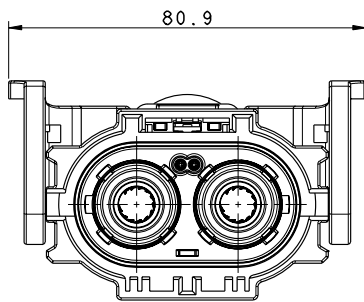
INSERT ORIENTATIONS



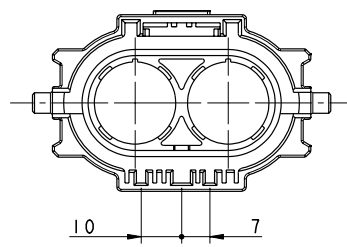
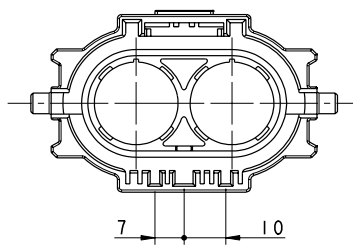
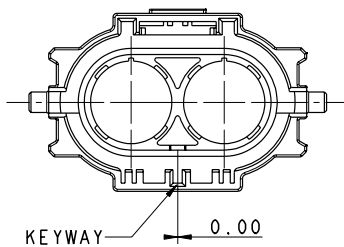
	Coding A	Coding B	Coding C
P/N	HVSL800 02 2 A	HVSL800 02 2 B	HVSL800 02 2 C

# Excel|Mate S (HVSL 800)

## 2 PIN STRAIGHT PLUG

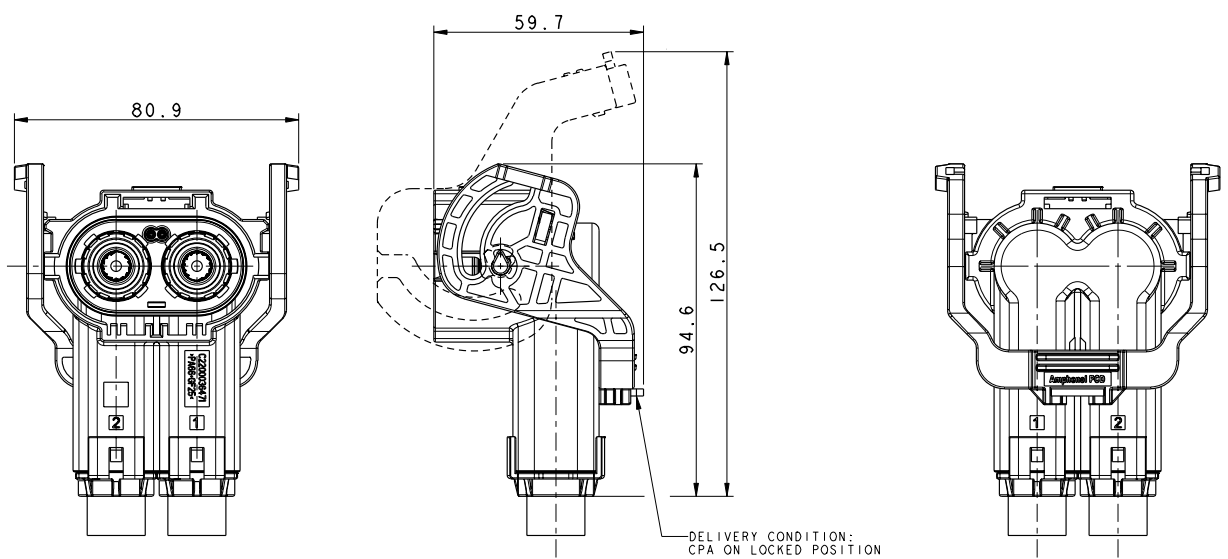


## INSERT ORIENTATIONS

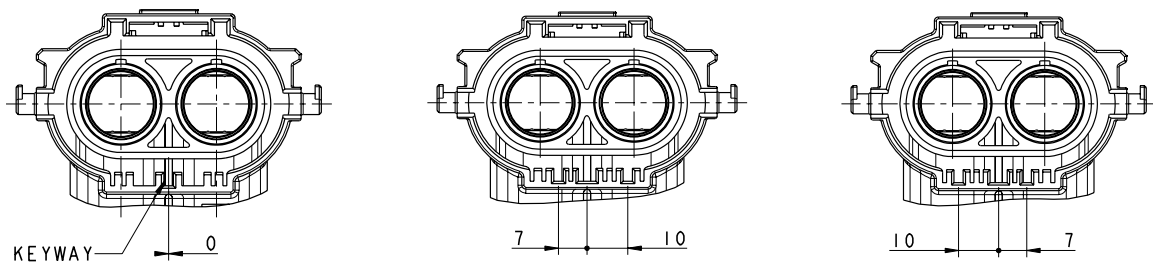


	Coding A	Coding B	Coding C
P/N	HVSL800 06 2 A	HVSL800 06 2 B	HVSL800 06 2 C

2 PIN RIGHT ANGLE PLUG



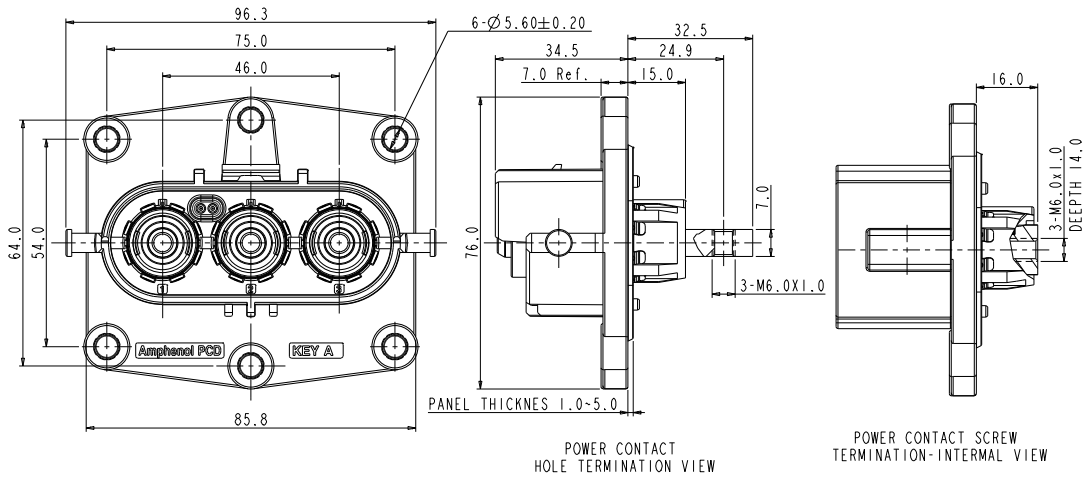
INSERT ORIENTATIONS



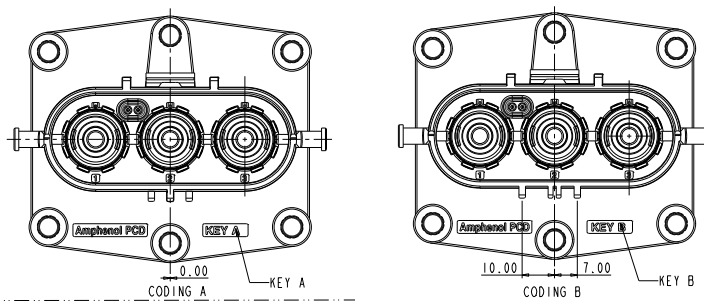
	Coding A	Coding B	Coding C
P/N	HVSL800 08 2 A	HVSL800 08 2 B	HVSL800 08 2 C



3 PIN RECEPTACLE

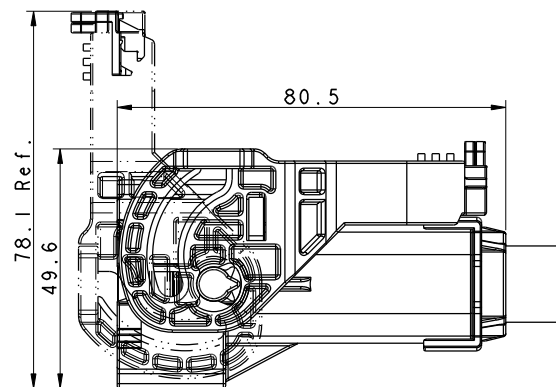
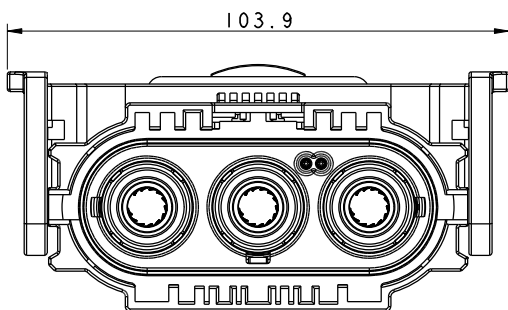


INSERT ORIENTATIONS

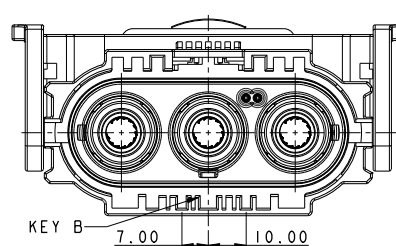
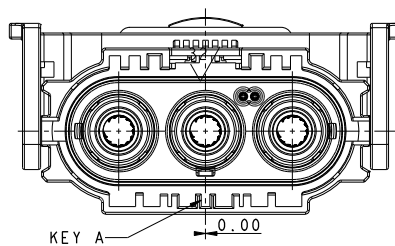


	Coding A	Coding B
P/N	HVSL800 02 3 A	HVSL800 02 3 B

3 PIN STRAIGHT PLUG



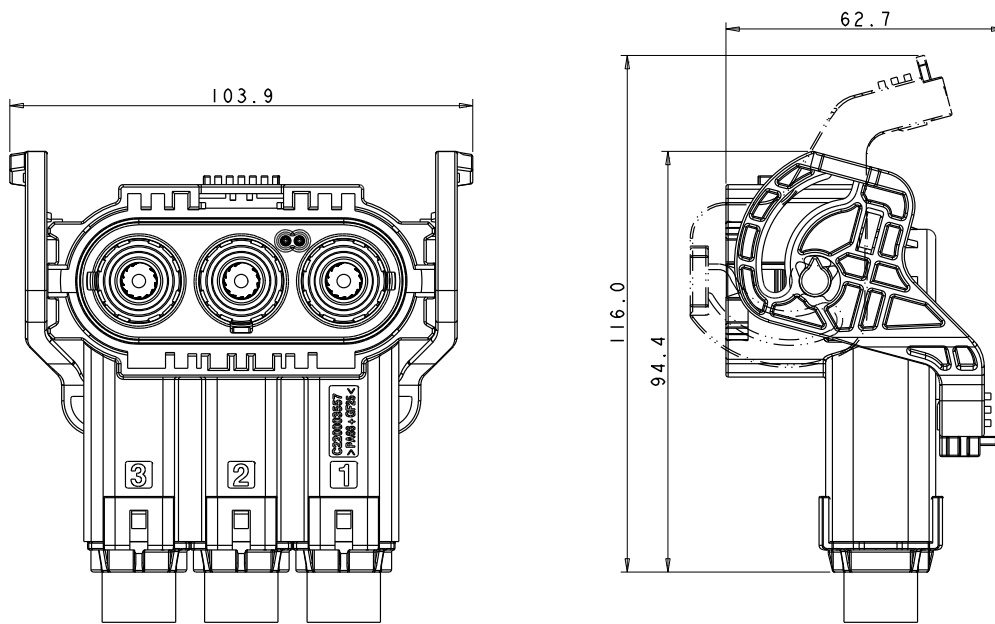
INSERT ORIENTATIONS



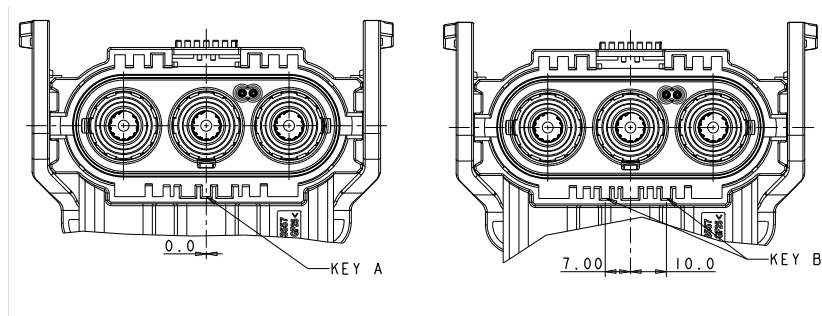
	Coding A	Coding B
P/N	HVSL800 06 3 A	HVSL800 06 3 B

# Excel|Mate S (HVSL 800)

## 3 PIN RIGHT ANGLE PLUG

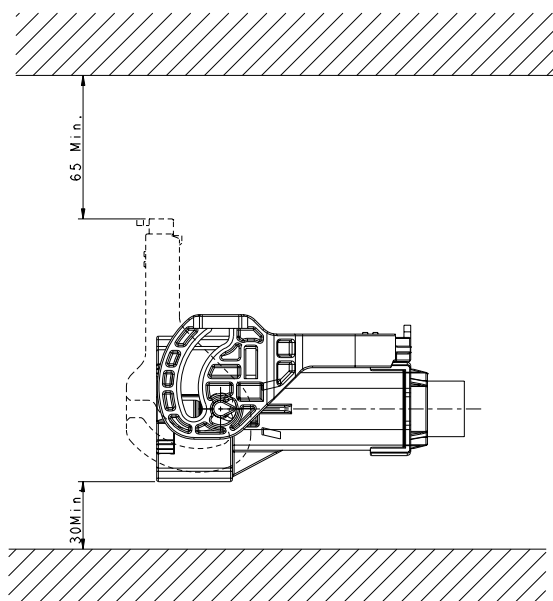


## INSERT ORIENTATIONS



	A	B
P/N	HVSL800 08 3 A	HVSL800 08 3 B

## INSTALLATION CLEARANCE



## EXTRACTION TOOL FOR RECEPTACLE

### HVIL-contact Extraction tool: HVTOOL10R



## HOW TO ORDER: PLUG

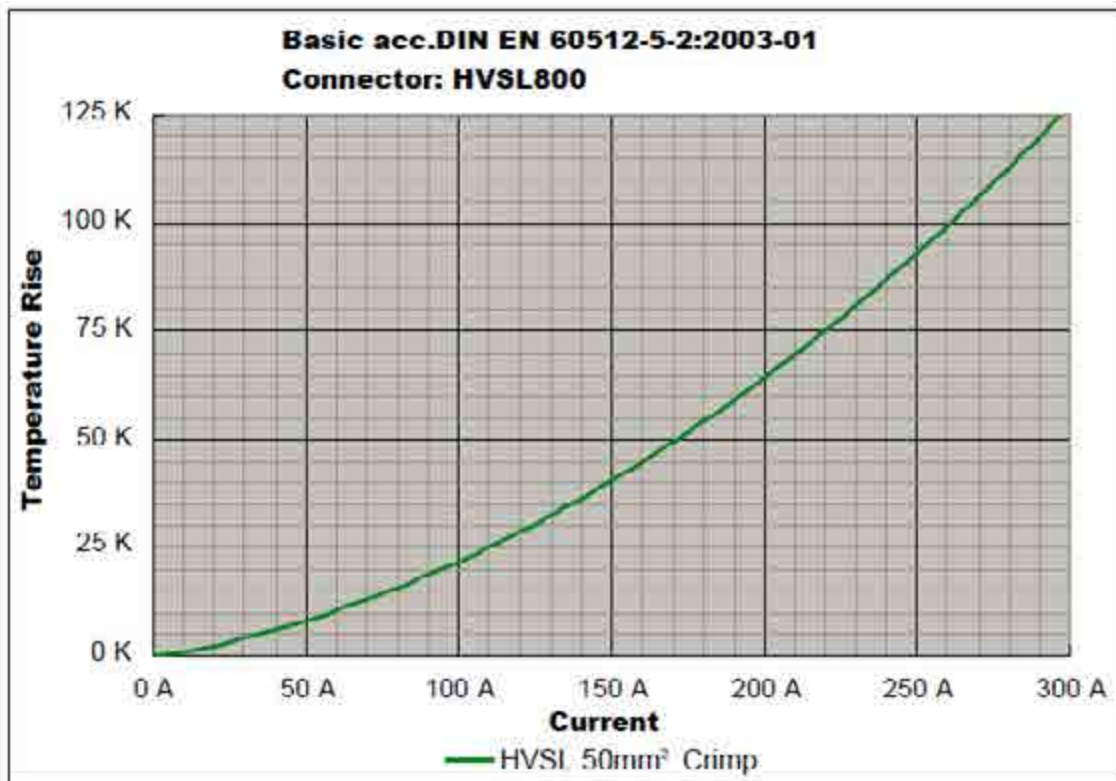
HVSL800	06	2	A	0	50
<b>Product type:</b>					
06: Straight plug   08: Right angle plug					
<b>Position:</b>					
2: 2 position   3: 3 position					
<b>Coding / Alternate position:</b>					
A: Coding A   B: Coding B   C: Coding C (Only for 2 position)					
<b>Interlock:</b>					
0: Without interlock   1: With interlock					
<b>Cable size:</b>					
25: 25mm <sup>2</sup> cable   35: 35mm <sup>2</sup> cable   50: 50mm <sup>2</sup> cable					

## HOW TO ORDER: RECEPTACLE

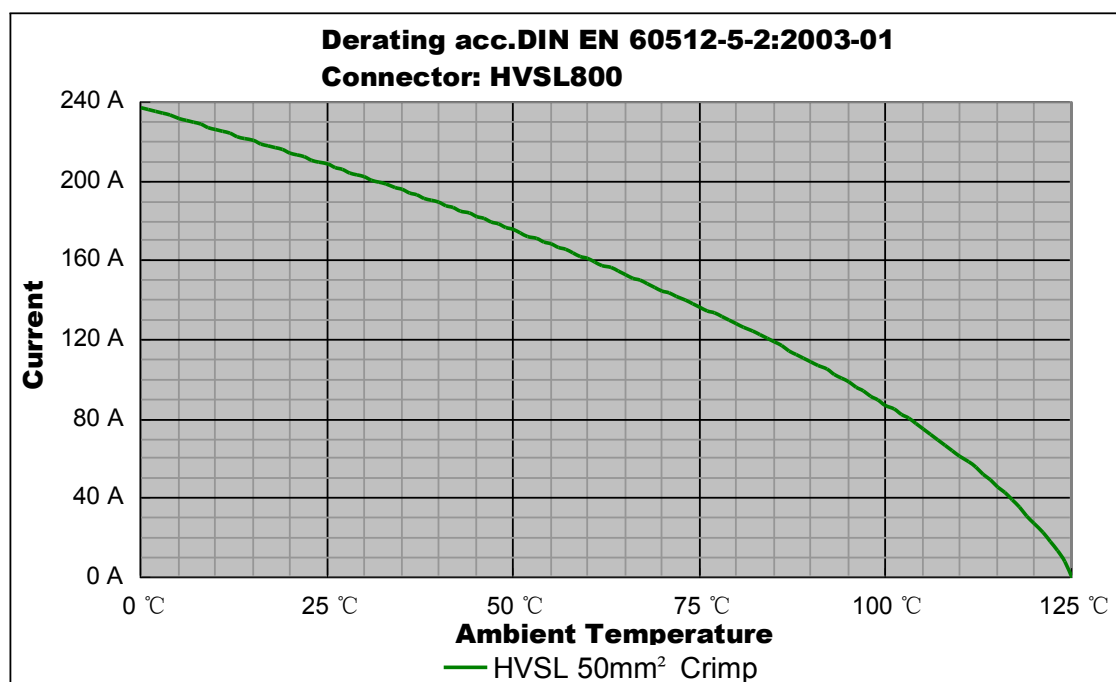
HVSL800	02	2	A	0	H6
<b>Product type:</b>					
02: Box mounted receptacle					
<b>Position:</b>					
2: 2 position   3: 3 position					
<b>Coding / Alternate position:</b>					
A: Coding A   B: Coding B   C: Coding C (Only for 2 positions)					
<b>Interlock:</b>					
0: Without interlock   1: With interlock					
<b>Cable size:</b>					
H6: Copper bar, OT terminal   D6: Screw (Internal), OT terminal					

# CHARTS (HVSL 800)

## HVSL 800 | Temperature Rise



## HVSL 800 | Derating Curve



Remark: tests carried out on the complete connector.

## Excel|Mate Metal: 2 PIN & 3 PIN CONNECTOR



### Excel|Mate Metal

Excel|Mate Metal is a 2 pin and 3 pin connector with current carrying capacity from 80 to 120A and 16 to 25mm<sup>2</sup> crimping cable.

Specially designed for battery, inverters, junction boxes, power distribution boxes and others xEV devices' equipment.

### KEY FEATURES

Integrated internal HVIL

Current rating up to 120A

No tool required to unmate

Sealing, IP67 (mated), IP6K9K

Touch-proof, IP2XB

Multiple coding positions

CPA available

### MECHANICAL

Durability	≥ 50 mating cycles
Wire range	16 to 25 mm <sup>2</sup> shielded wire
Insertion and extraction force	< 100N
Connection type	Copper bar
HVIL	Integrated
CPA	Available

### ELECTRICAL

Rated voltage	1000V DC
Rated current	120A Max @ ambient temperature 70°C
Insulator resistance	> 200MΩ
Dielectric withstand voltage	3000V AC
Shielding	360° from wire to device

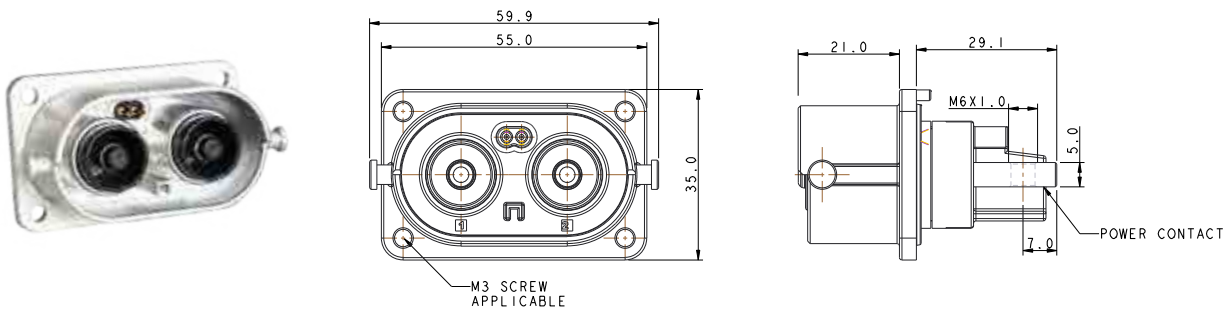
### ENVIRONMENTAL

Sealing	IP67, IP6K9K (mated)
Touch-proof	IP2XB
Temperature range	-40°C to 125°C
Salt spray	96 hours

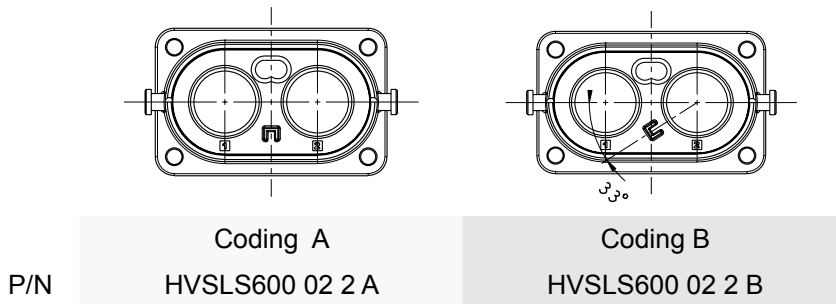
### MATERIAL

Terminals	Copper/copper alloy with silver plating
Housing	Zinc alloy

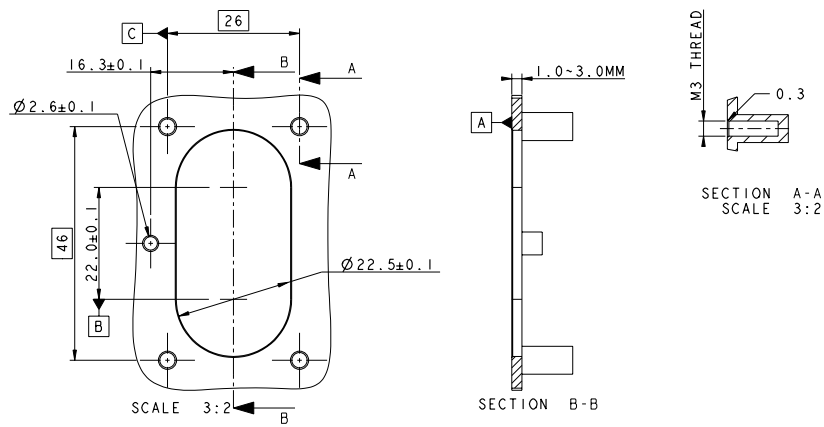
2 PIN RECEPTACLE



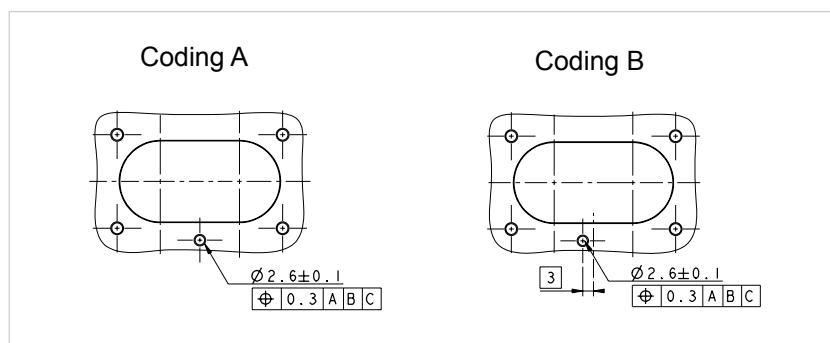
INSERT ORIENTATIONS



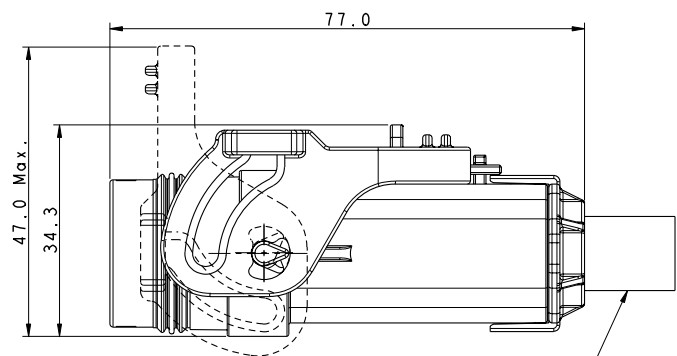
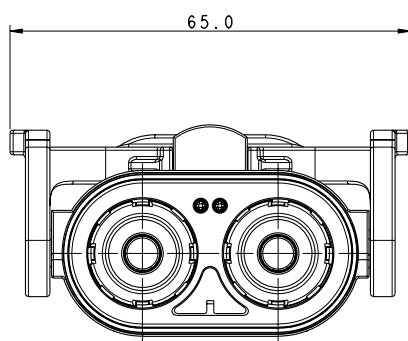
PANEL MOUNTING DIMENSIONS



INSERT ORIENTATIONS

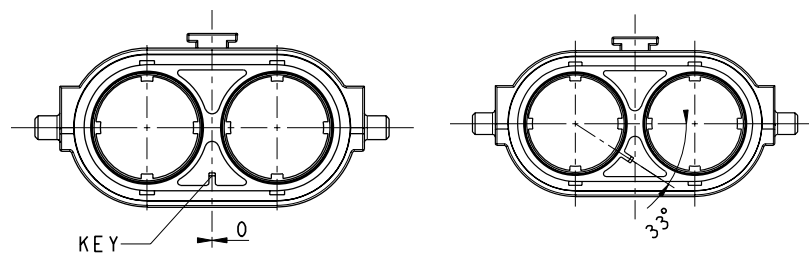


2 PIN STRAIGHT PLUG



16mm<sup>2</sup>~25mm<sup>2</sup>  
CABLE SIZE

INSERT ORIENTATIONS

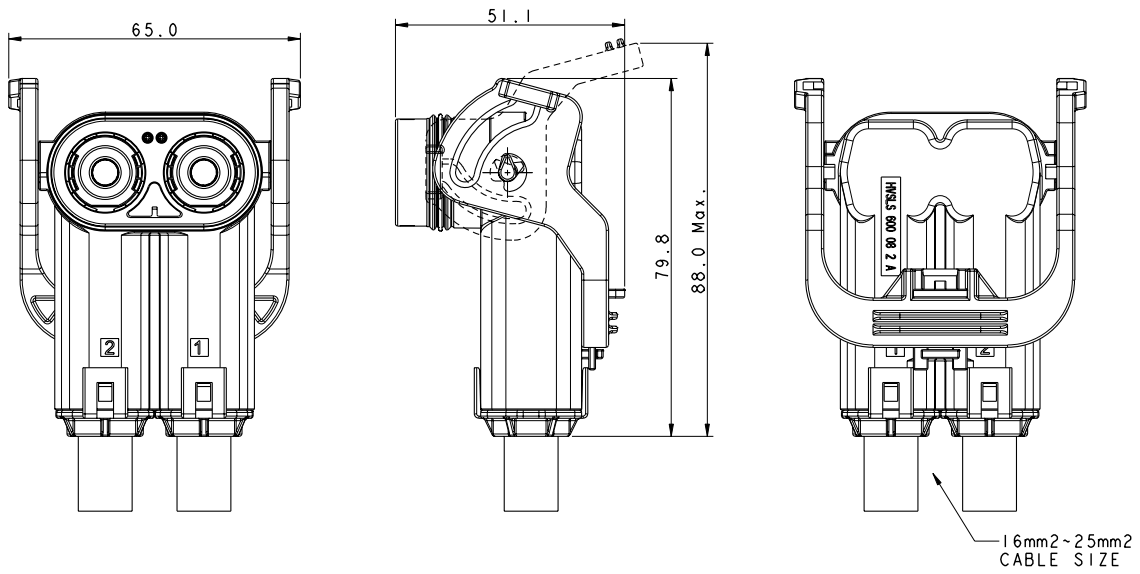


	Coding A	Coding B
P/N	HVSL S600 06 2 A	HVSL S600 06 2 B

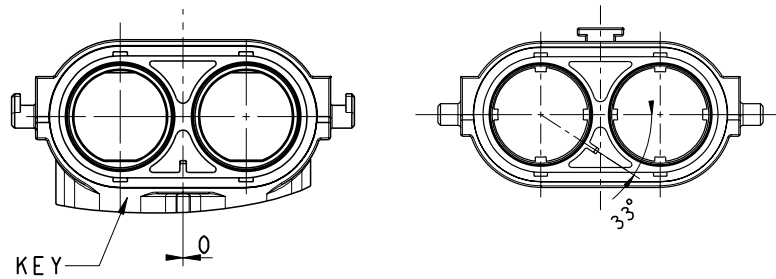


# Excel|Mate Metal (HVSL S 600)

## 2 PIN RIGHT ANGLE PLUG

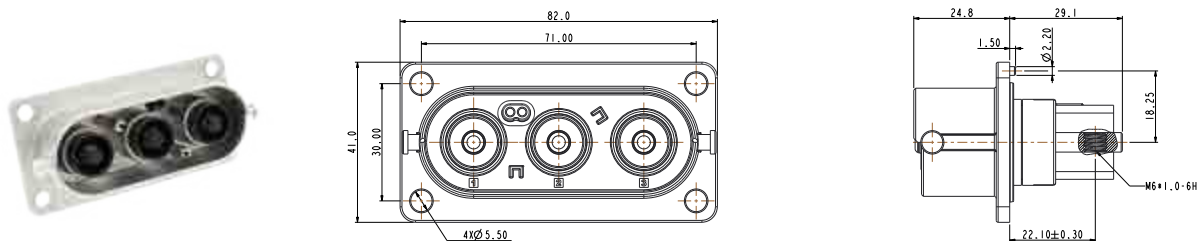


## INSERT ORIENTATIONS

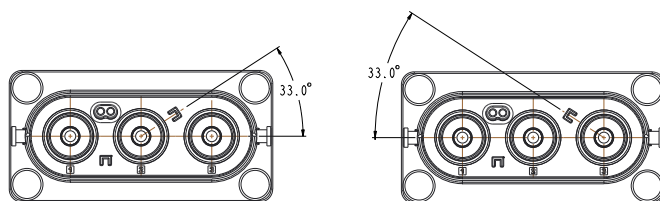


	Coding A	Coding B
P/N	HVSL S600 08 2 A	HVSL S600 08 2 B

3 PIN RECEPTACLE

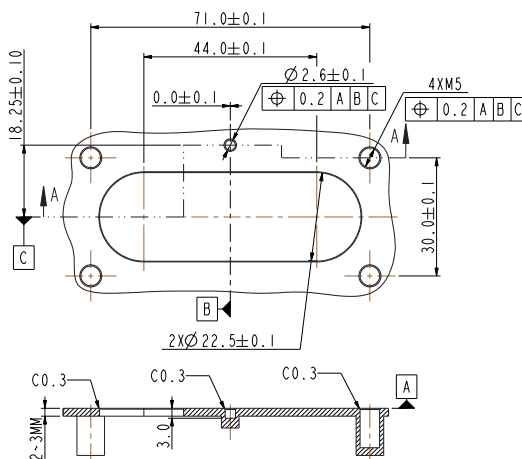


INSERT ORIENTATIONS

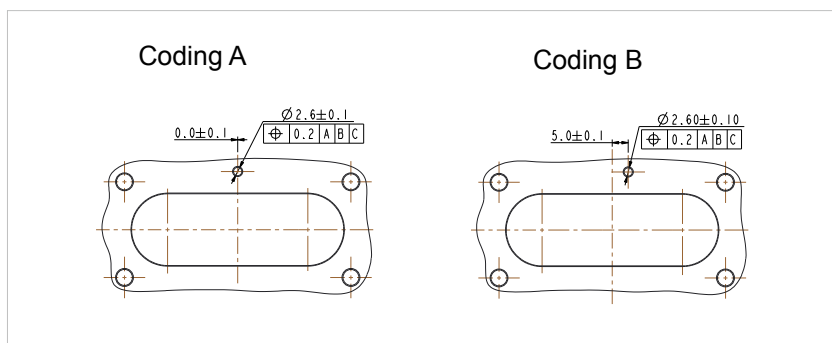


P/N	Coding A HVSL600 02 3 A	Coding B HVSL600 02 3 B
-----	----------------------------	----------------------------

PANEL MOUNTING DIMENSIONS

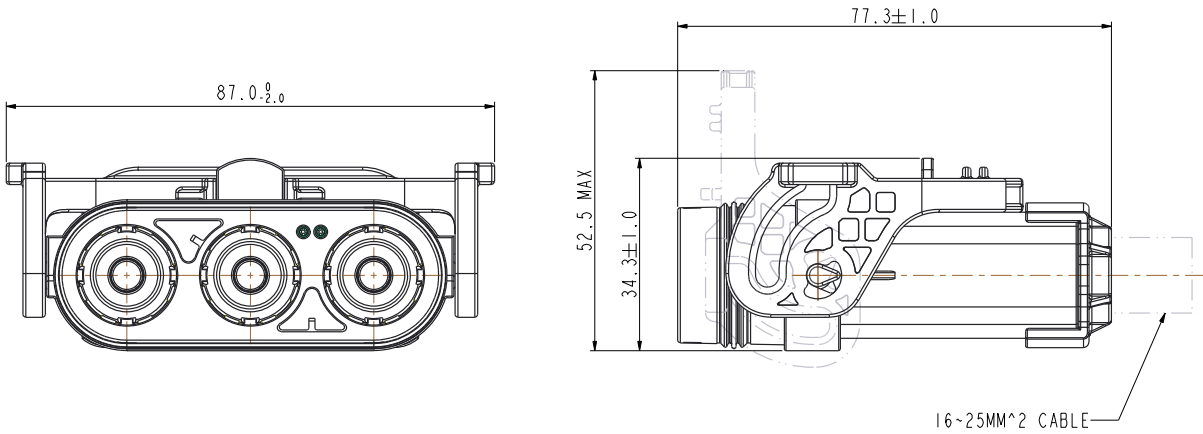


INSERT ORIENTATIONS

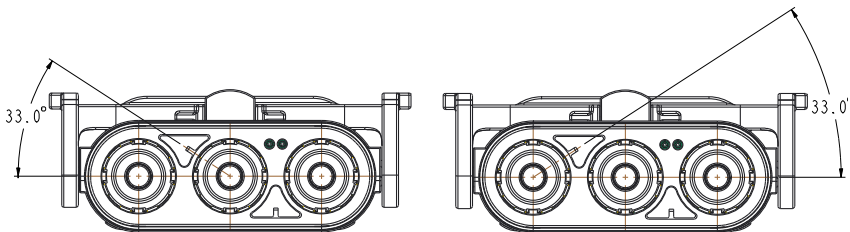


# Excel|Mate Metal (HVSL 600)

## 3 PIN STRAIGHT PLUG

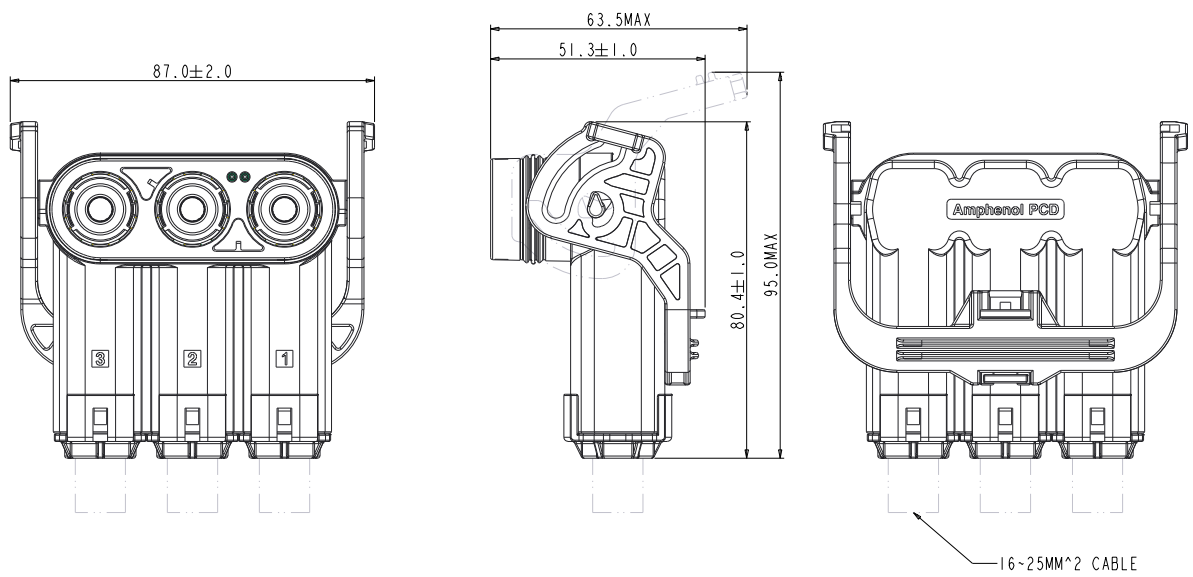


## INSERT ORIENTATIONS

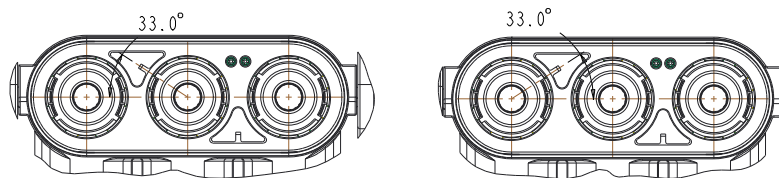


	Coding A	Coding B
P/N	HVSL600 06 3 A	HVSL600 06 3 B

3 PIN RIGHT ANGLE PLUG

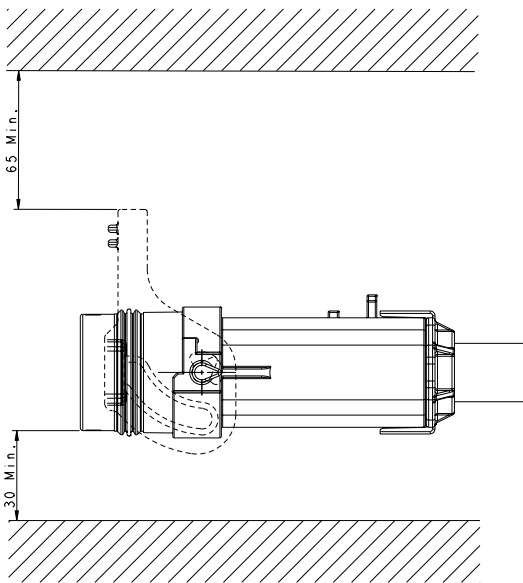


INSERT ORIENTATIONS



	Coding A	Coding B
P/N	HVSL S600 08 2 A	HVSL S600 08 2 B

## INSTALLATION CLEARANCE



## TOOL FOR RIGHT ANGLE PLUGS

Tool for locking contacts: HVSLP033002



### Remark:

Customer needs to use fixture HVSLP033002 with Stanley torque wrench sleeve (purchased by the customer) for assembling the finish product HVSLS600082.

## HOW TO ORDER: PLUG

HVSLS600 06 2 A 0 16

### Product type:

06: Straight plug | 08: Right angle plug

### Position:

2: 2 position | 3: 3 position

### Coding / Alternate position:

A: Coding A | B: Coding B

### Interlock:

0: Without interlock | 1: With interlock

### Cable size:

16: 16mm<sup>2</sup> cable | 25: 25mm<sup>2</sup> cable

## HOW TO ORDER: RECEPTACLE

HVSLS600 02 2 A 0 H6

### Product type:

02: Box mounted receptacle

### Position:

2: 2 position | 3: 3 position

### Coding / Alternate position:

A: Coding A | B: Coding B

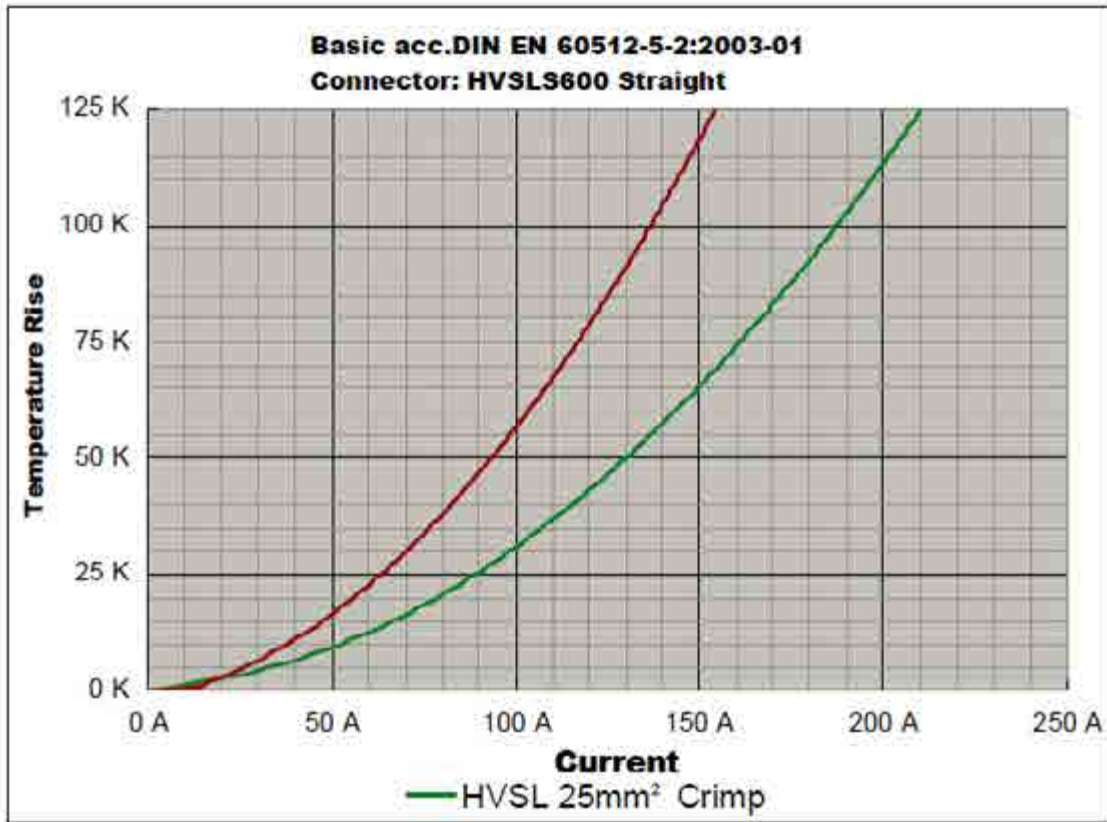
### Interlock:

0: Without interlock | 1: With interlock

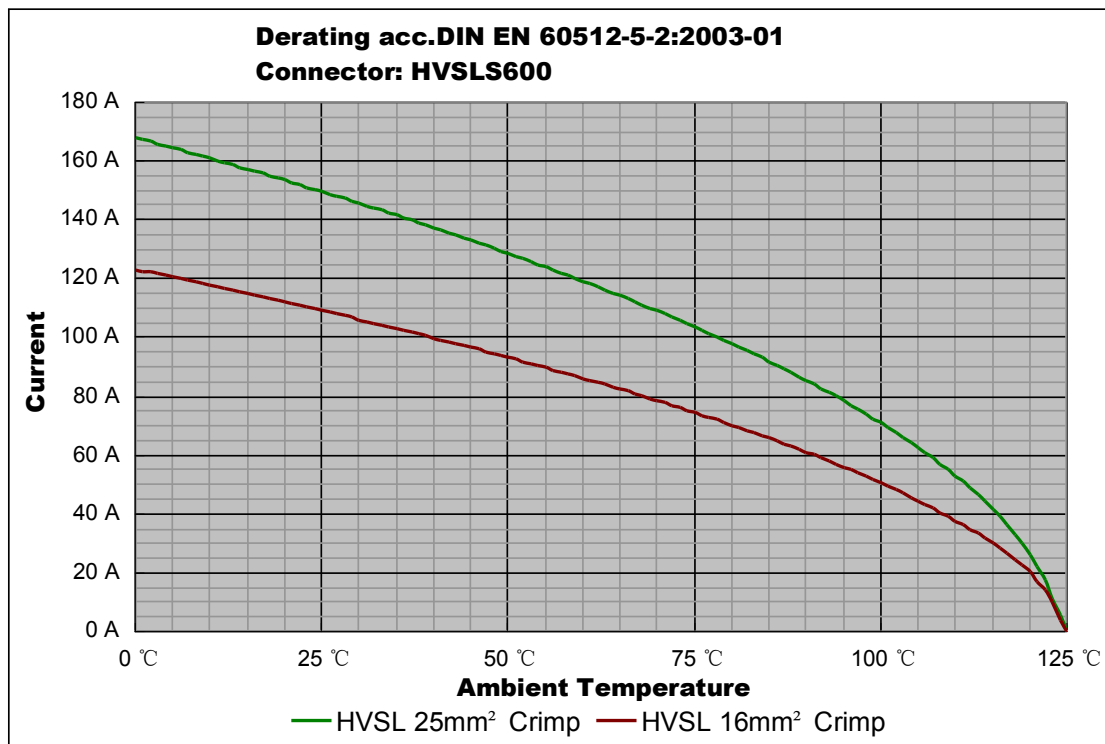
### Cable size:

H6: OT terminal

## HVSL 600 | Temperature Rise



## HVSL 600 | Derating Curve



Remark: tests carried out on the complete connector.

# Excel|Mate Metal (HVSL S 800)

## Excel|Mate Metal (HVSL S800)



### Excel|Mate Metal

Excel|Mate Metal is a 2 pin connector with a current carrying capacity of 180A and 35 to 50mm<sup>2</sup> crimping cable.

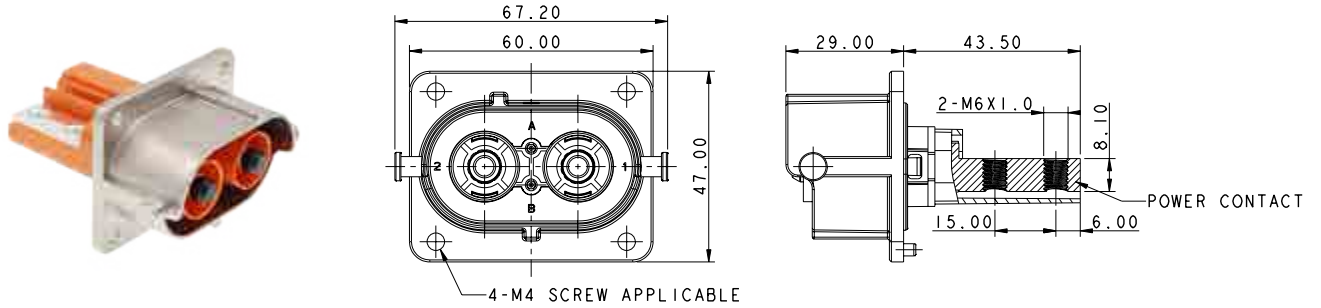
Specially designed for battery, inverters, junction boxes, power distribution boxes and others xEV devices' equipment.

### KEY FEATURES

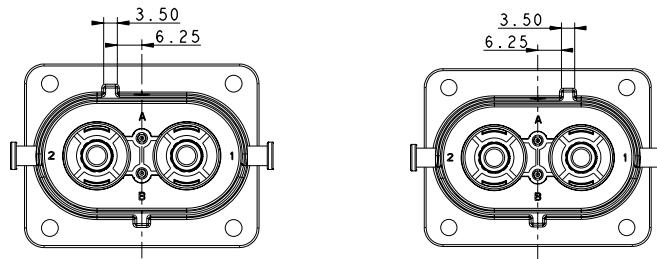
- Integrated internal HVIL
- Current rating up to 180A
- No tool required to unmate
- Sealing, IP67 (mated), IP6K9K
- Touch-proof, IP2XB
- Multiple coding positions
- CPA available

MECHANICAL	
Durability	≥ 50 mating cycles
Wire range	35 to 50 mm <sup>2</sup> shielded wire
Insertion and extraction force	< 100N
Connection type	Copper bar
HVIL	Integrated
CPA	Available
ELECTRICAL	
Rated voltage	1000V DC
Rated current	180A Max @ ambient temperature 70°C
Insulator resistance	> 200MΩ
Dielectric withstand voltage	3000V AC
Shielding	360° from wire to device
ENVIRONMENTAL	
Sealing	IP67, IP6K9K (mated)
Touch-proof	IP2XB
Temperature range	-40°C to 125°C
Salt spray	96 hours
MATERIAL	
Terminals	Copper/copper alloy with silver plating
Housing	Zinc alloy

RECEPTACLE

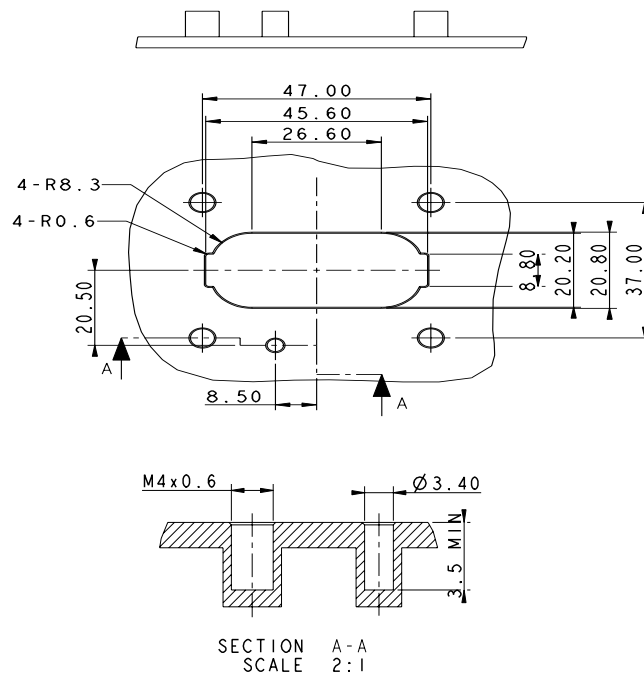


INSERT ORIENTATIONS



	Coding A	Coding B
P/N	HVSL800 02 2 A	HVSL800 02 2 B

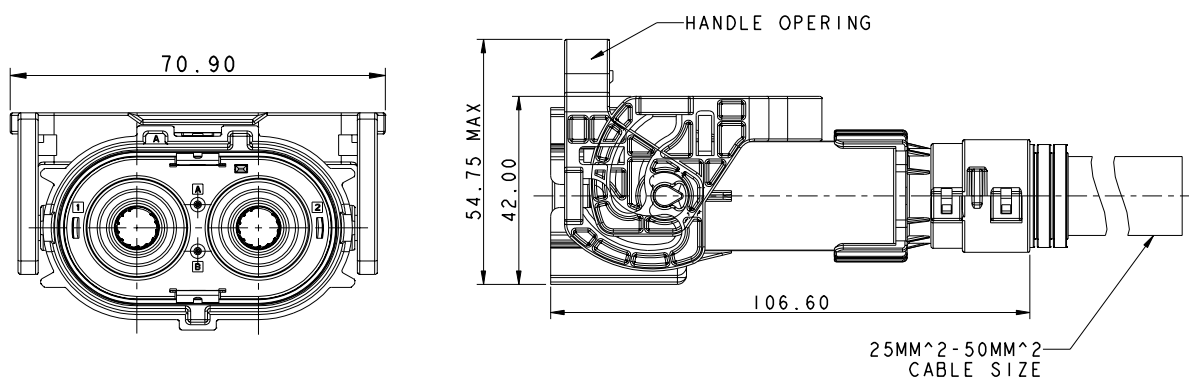
PANEL MOUNTED DIMENSIONS



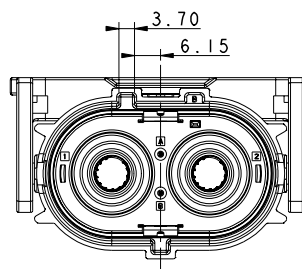
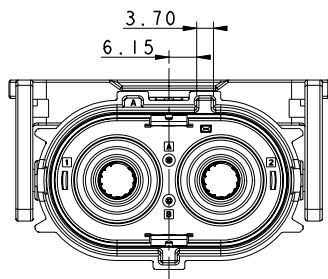


# Excel|Mate Metal (HVSL S 800)

## STRAIGHT PLUG



## INSERT ORIENTATIONS



P/N

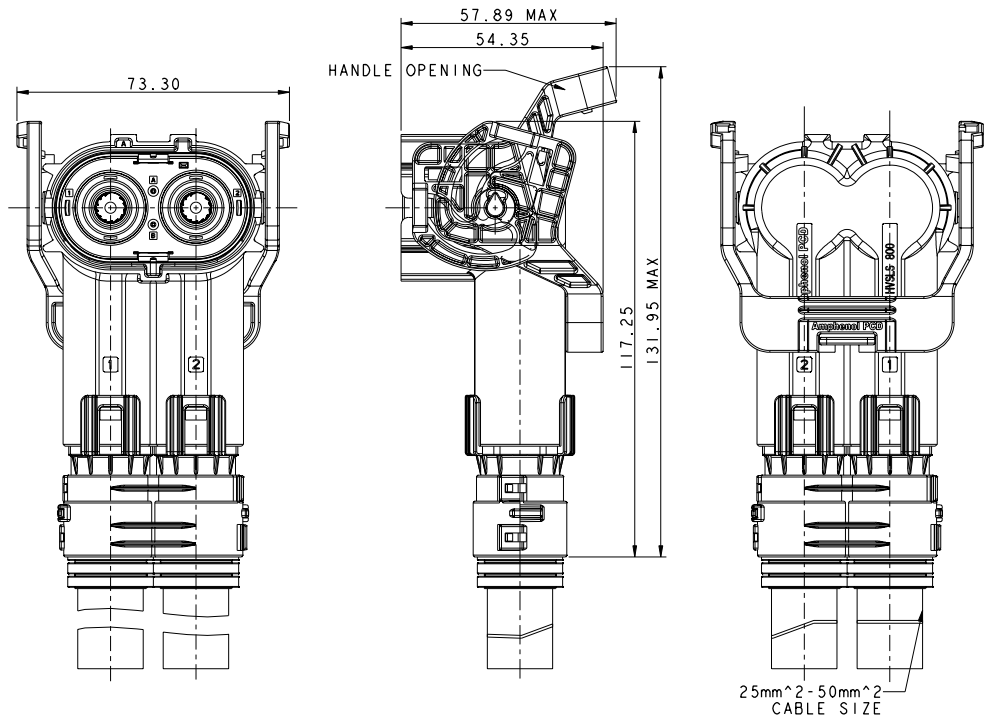
Coding A

HVSL S800 06 2 A

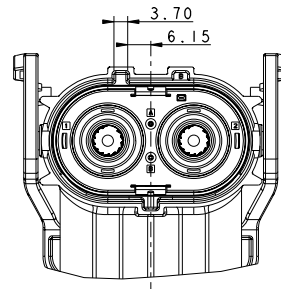
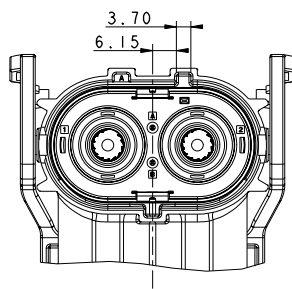
Coding B

HVSL S800 06 2 B

RIGHT ANGLE PLUG



INSERT ORIENTATIONS

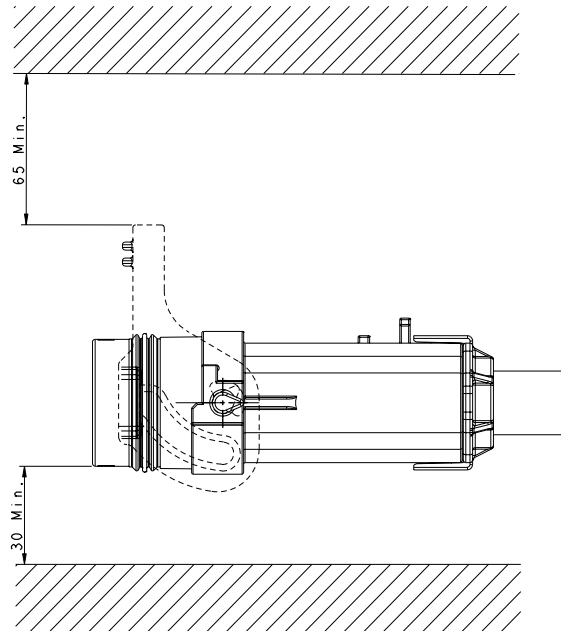


P/N

Coding A  
HVSL800 08 2 A

Coding B  
HVSL800 08 2 B

## INSTALLATION CLEARANCE



### HOW TO ORDER: PLUG

	HVSL S 800	06	2	A	0	35
<b>Product type:</b>	06: Straight plug   08: Right angle plug					
<b>Position:</b>	2: 2 position					
<b>Coding / Alternate position:</b>	A: Coding A   B: Coding B					
<b>Interlock:</b>	0: Without interlock   1: With interlock					
<b>Cable size:</b>	35: 35mm <sup>2</sup> cable   50: 50mm <sup>2</sup> cable					

### HOW TO ORDER: RECEPTACLE

	HVSL S 800	02	2	A	0	H6
<b>Product type:</b>	02: Box mounted receptacle					
<b>Position:</b>	2: 2 position					
<b>Coding / Alternate position:</b>	A: Coding A   B: Coding B					
<b>Interlock:</b>	0: Without interlock   1: With interlock					
<b>Cable size:</b>	H6: OT terminal					

## Excel|Mate Eco (HVSL600 1 POSITION CONNECTOR)



### HVSL600

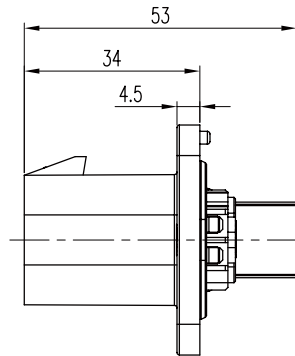
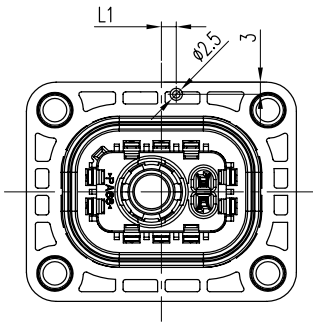
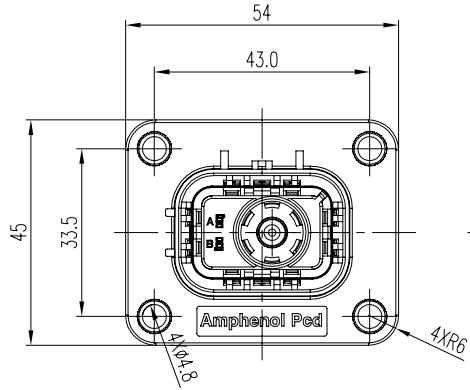
**HVSL600** is a single pin connector with a current carrying capacity of 120A and 25mm<sup>2</sup> crimping cable. It can be utilized with multi-core or individually shielded wire. An integrated internal HVIL with multiple routing options allows package size optimization and flexibility.

#### KEY FEATURES

- Integrated internal HVIL
- Current rating up to 120A
- Two-stage, tool or thumb activated latching
- No tool required to unmate
- Sealing, IP67 (mated), IP6K9K
- Touch-proof, IP2XB
- Multiple coding positions
- CPA available

MECHANICAL	
Durability	≥ 50 mating cycles
Wire range	25mm <sup>2</sup> shielded wire
Insertion and extraction force	< 100N
Connection type	Crimping or bus-bar
Latching style	Two stage, finger actuated
HVIL	Integrated
CPA	Available
ELECTRICAL	
Rated voltage	800V DC
Rated current	120A @ ambient temperature 70°C
Insulator resistance	> 200MΩ
Dielectric withstand voltage	3000V AC
Shielding	360° from wire to device
ENVIRONMENTAL	
Sealing	IP67, IP6K9K (mated)
Touch-proof	IP2XB
Temperature range	-40°C to 125°C
MATERIAL	
Terminals	Copper/copper alloy with silver plating
Housing	PA66 + GF

RECEPTACLE



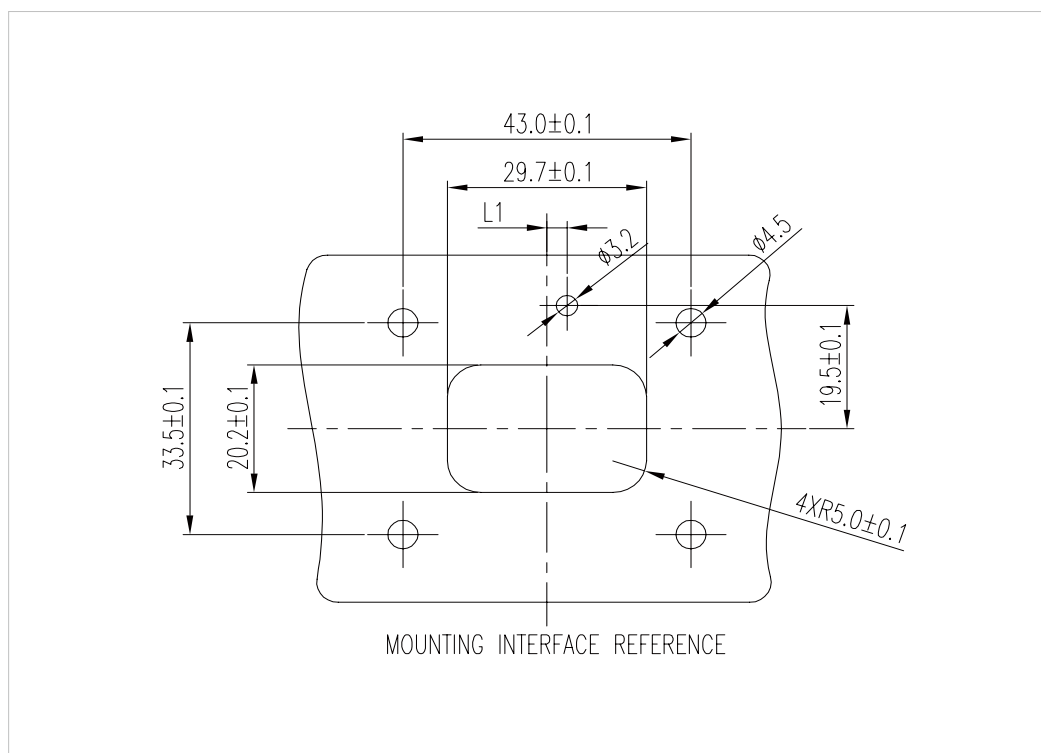
CONTACTS

All connectors do not include contacts. Please order them separately (ref: P/N below)

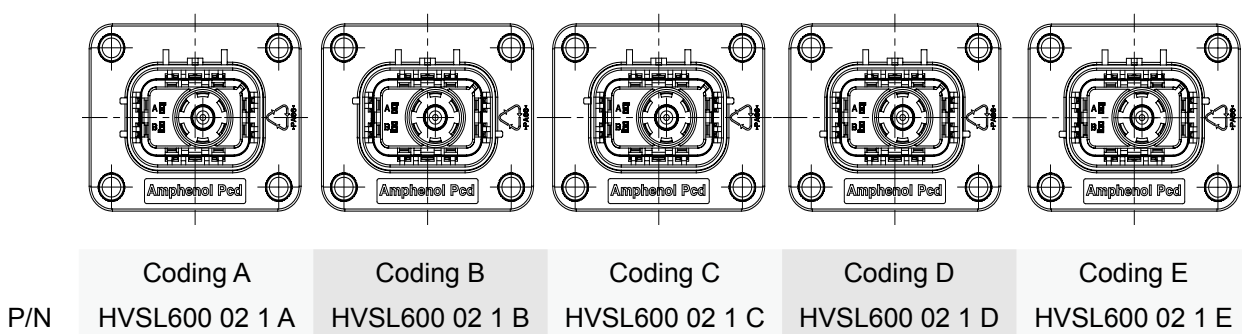
For HVSL600021XX25	For HVSL600021XXH6	For HVSL600021XX25
Pin contact: crimp for wire	Pin contact: end with bus-bar	Pin signal contact (HVIL)
P/N: C420003621	P/N: C420003625	P/N: C310003613
25mm <sup>2</sup> unshielded wire	—	0.5mm <sup>2</sup> unshielded wire

PANEL MOUNTING DIMENSIONS

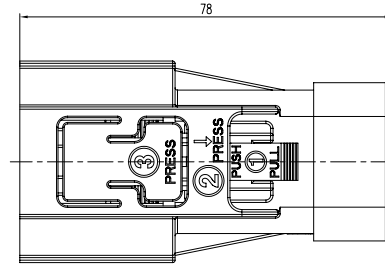
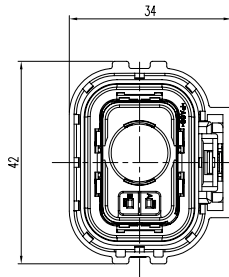
CODING	A	B	C	D	E
L1 (Receptacle)	0	3	6	-3	-6
L1 (Panel mount)	0	-3	-6	3	6



INSERT ORIENTATIONS

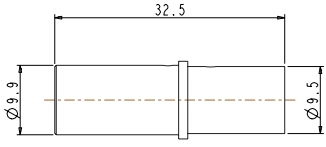
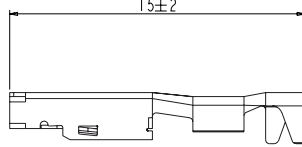


## PLUG



## CONTACTS

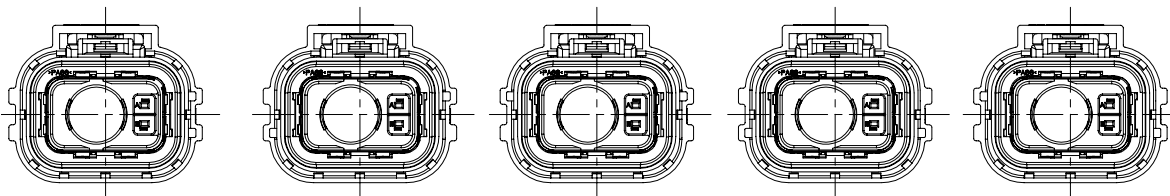
All connectors do not include contacts. Please order them separately (ref: P/N below)

For HVSL600061XX25XX	For HVSL600061XX25XX
Socket contact	Socket signal contact (HVIL)
P/N: C420003620	P/N: C310003614
	
25mm <sup>2</sup> shielded wire	0.5mm <sup>2</sup> unshielded wire

Sealing gasket for HVSL600061XX25XX:

12	11	10
P/N: C270003607	P/N: C2700036071	P/N: C2700036072
12 ± 0.2 mm (Wire OD)	11 ± 0.2 mm (Wire OD)	10 ± 0.2 mm (Wire OD)

## INSERT ORIENTATIONS



	Coding A	Coding B	Coding C	Coding D	Coding E
P/N	HVSL600 06 1 A	HVSL600 06 1 B	HVSL600 06 1 C	HVSL600 06 1 D	HVSL600 06 1 E

## HOW TO ORDER: PLUG

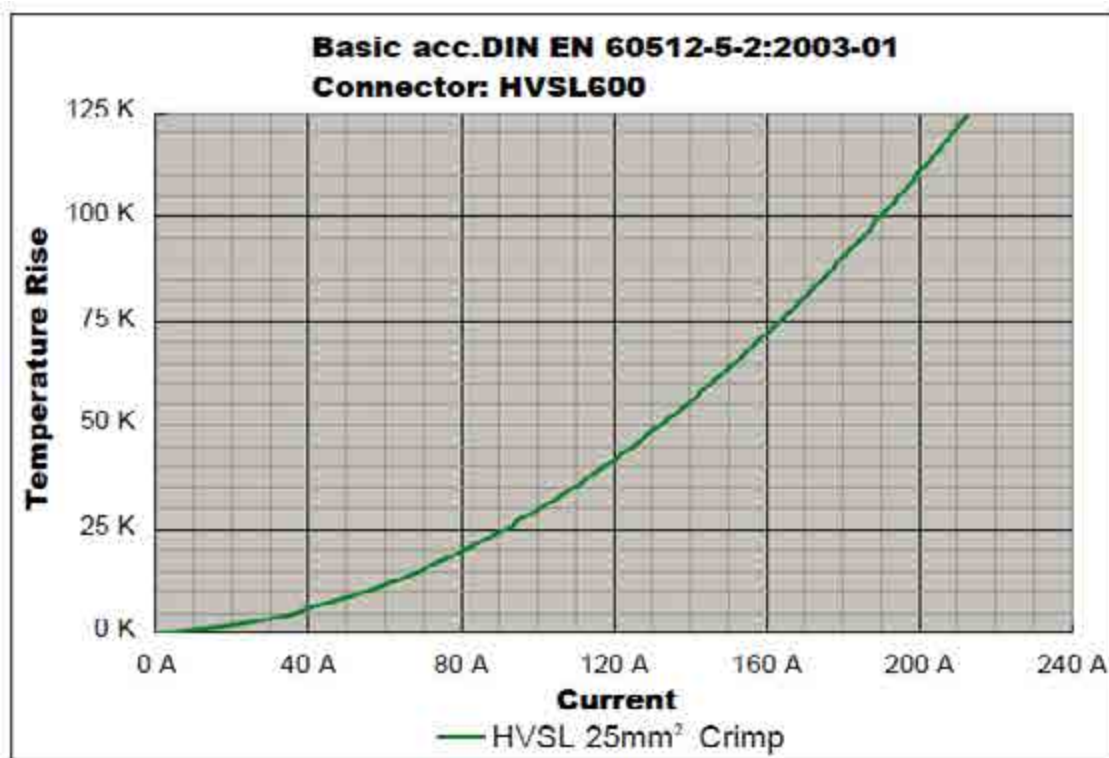
	HVSL600	06	1	A	0	25	10
<b>Product type:</b>	<b>06:</b> Straight plug						
<b>Position:</b>	<b>1:</b> 1 position						
<b>Coding / Alternate position:</b>	<b>A:</b> Coding A <b>B:</b> Coding B <b>C:</b> Coding C <b>D:</b> Coding D <b>E:</b> Coding E						
<b>Interlock:</b>	<b>0:</b> Without interlock <b>1:</b> With interlock						
<b>Cable size:</b>	<b>25:</b> 25mm <sup>2</sup>						
<b>Sealing gasket:</b>	<b>10:</b> 10mm (Wire OD) <b>11:</b> 11mm (Wire OD) <b>12:</b> 12mm (Wire OD)						

## HOW TO ORDER: RECEPTACLE

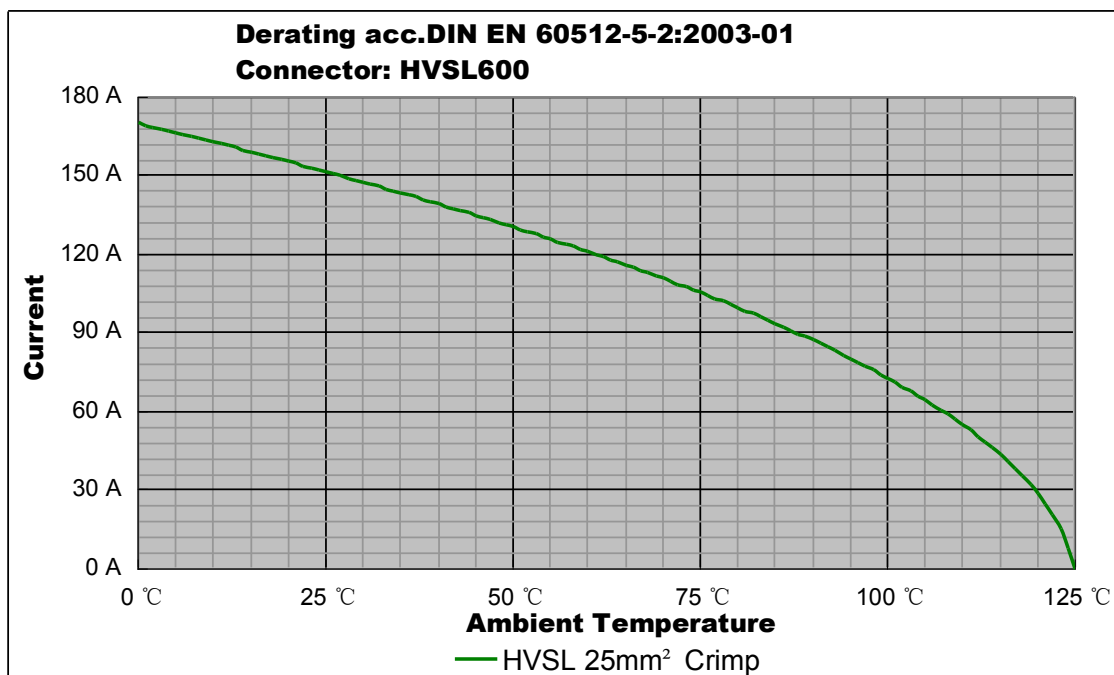
	HVSL600	02	1	A	25
<b>Product type:</b>	<b>02:</b> Box mounted receptacle				
<b>Position:</b>	<b>1:</b> 1 position				
<b>Coding / Alternate position:</b>	<b>A:</b> Coding A <b>B:</b> Coding B <b>C:</b> Coding C <b>D:</b> Coding D <b>E:</b> Coding E				
<b>Cable size:</b>	<b>25:</b> 25mm <sup>2</sup> <b>H6:</b> OT terminal				



## HVSL 600 | Temperature Rise



## HVSL 600 | Derating Curve



Remark: tests carried out on the complete connector.

## Excel|Mate Eco (HVSL630 2 POSITION CONNECTOR)



### HVSL630

**HVSL630** is a 2 position connector with a current carrying capacity from 23 to 40A and 4 to 6mm<sup>2</sup> crimping cable.

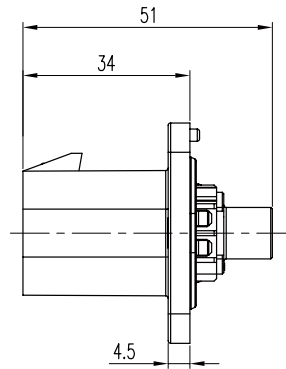
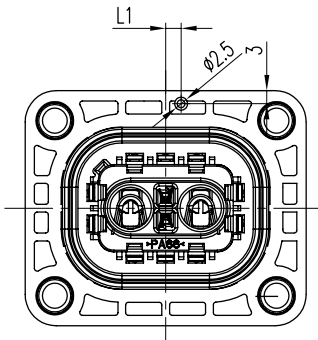
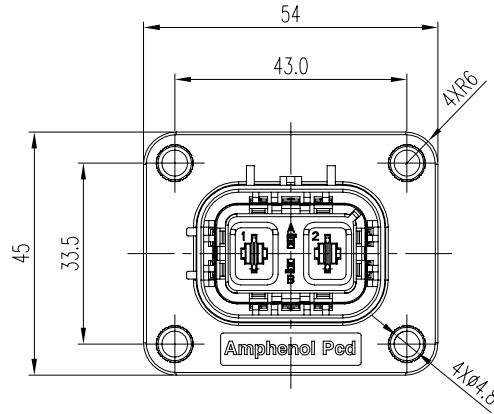
Specially designed for DC-DC, air-conditioner, and others xEV devices' equipment.

#### KEY FEATURES

- Integrated internal HVIL
- Current rating up to 40A
- Two-stage, tool or thumb activated latching
- No tool required to unmate
- Sealing, IP67 (mated), IP6K9K
- Touch-proof, IP2XB
- Multiple coding positions
- CPA available

MECHANICAL	
Durability	≥ 50 mating cycles
Wire range	4 to 6 mm <sup>2</sup> shielded wire
Insertion and extraction force	< 100N
Connection type	Crimping
Latching style	Two stage, finger actuated
HVIL	Integrated
CPA	Available
ELECTRICAL	
Rated voltage	800V DC
Rated current	40A Max @ ambient temperature 70°C
Insulator resistance	> 200MΩ
Dielectric withstand voltage	3000V AC
Shielding	360° from wire to device
ENVIRONMENTAL	
Sealing	IP67, IP6K9K (mated)
Touch-proof	IP2XB
Temperature range	-40°C to 125°C
MATERIAL	
Terminals	Copper/copper alloy with tin plating
Housing	PA66 + GF

RECEPTACLE

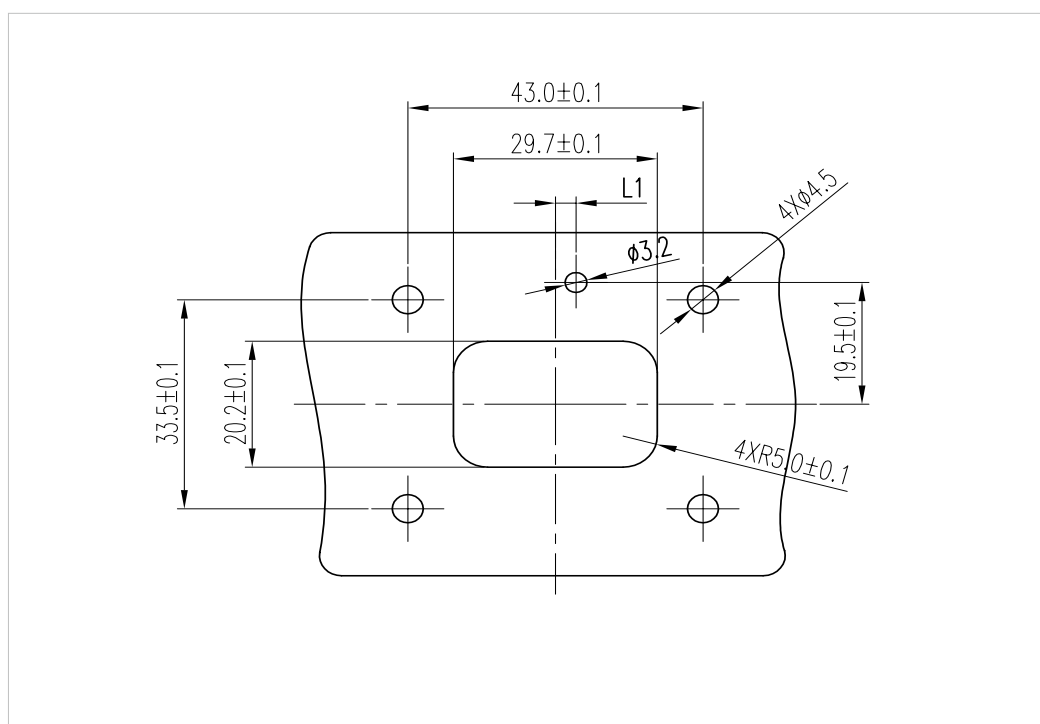


CONTACTS

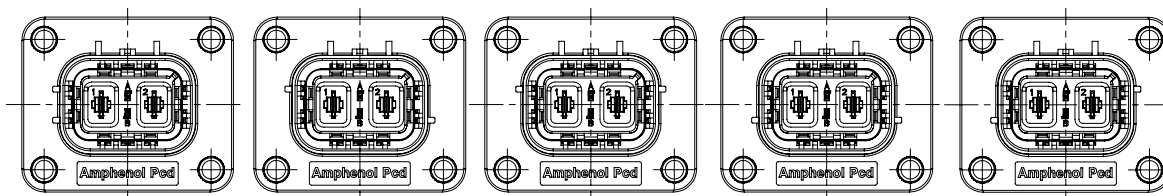
All connectors do not include contacts. Please order them separately (ref: P/N below)	
For HVSL630022XX06	For HVSL630022XX06
Pin contact: crimping	Pin signal contact (HVIL)
P/N: C310003622	P/N: C310003613
4 to 6mm <sup>2</sup> unshielded wire	0.5mm <sup>2</sup> unshielded wire

PANEL MOUNTING DIMENSIONS

CODING	A	B	C	D	E
L1 (Receptacle)	0	3	6	-3	-6
L1 (Panel mount)	0	-3	-6	3	6



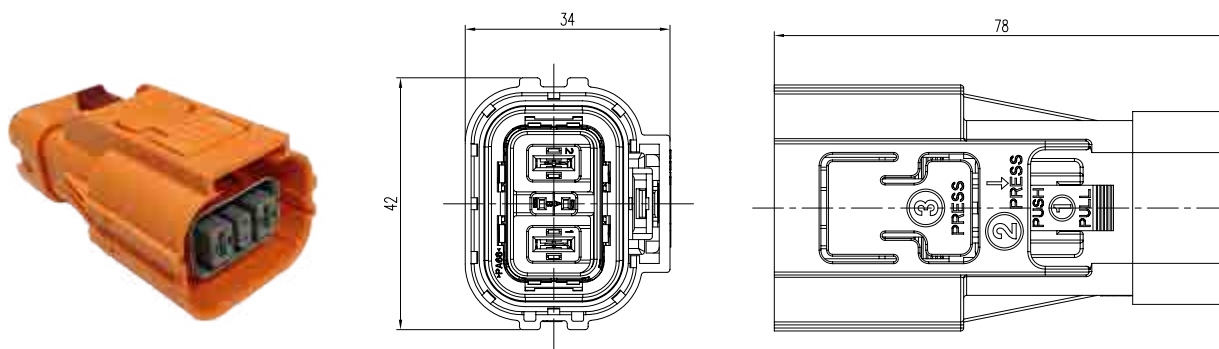
INSERT ORIENTATIONS



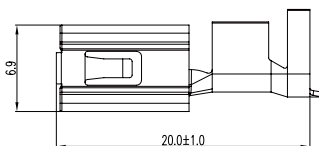
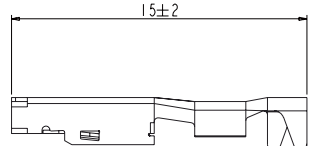
	Coding A	Coding B	Coding C	Coding D	Coding E
P/N	HVSL630 02 2 A	HVSL630 02 2 B	HVSL630 02 2 C	HVSL630 02 2 D	HVSL630 02 2 E

# Excel|Mate Eco (HVSL 630)

## PLUG



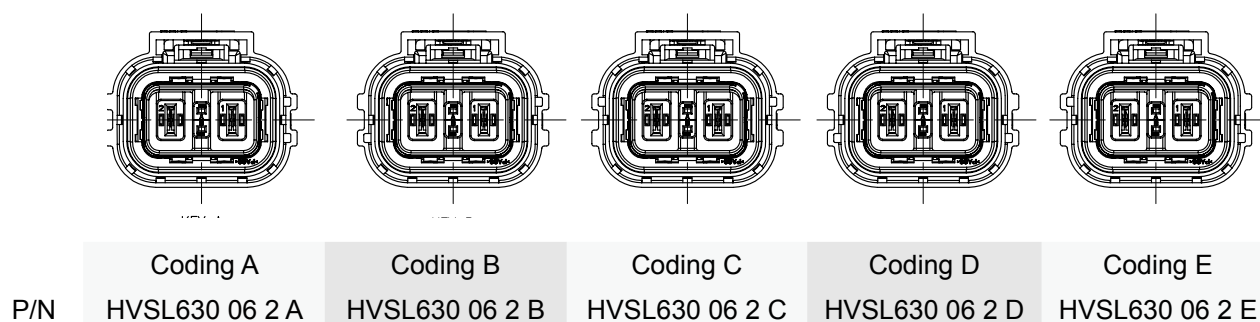
## CONTACTS

All connectors do not include contacts. Please order them separately (ref: P/N below)	
For HVSL630062XX06XX	For HVSL630062XX06XX
Socket contact	Socket signal contact (HVIL)
P/N: C310003623	P/N: C310003614
	
4 to 6mm <sup>2</sup> shielded wire	0.5mm <sup>2</sup> unshielded wire

Sealing gasket for HVSL630062XX06XX:

12	11	10
P/N: C270003607	P/N: C2700036071	P/N: C2700036072
12 ± 0.2 mm (Wire OD)	11 ± 0.2 mm (Wire OD)	10 ± 0.2 mm (Wire OD)

## INSERT ORIENTATIONS



## HOW TO ORDER: PLUG

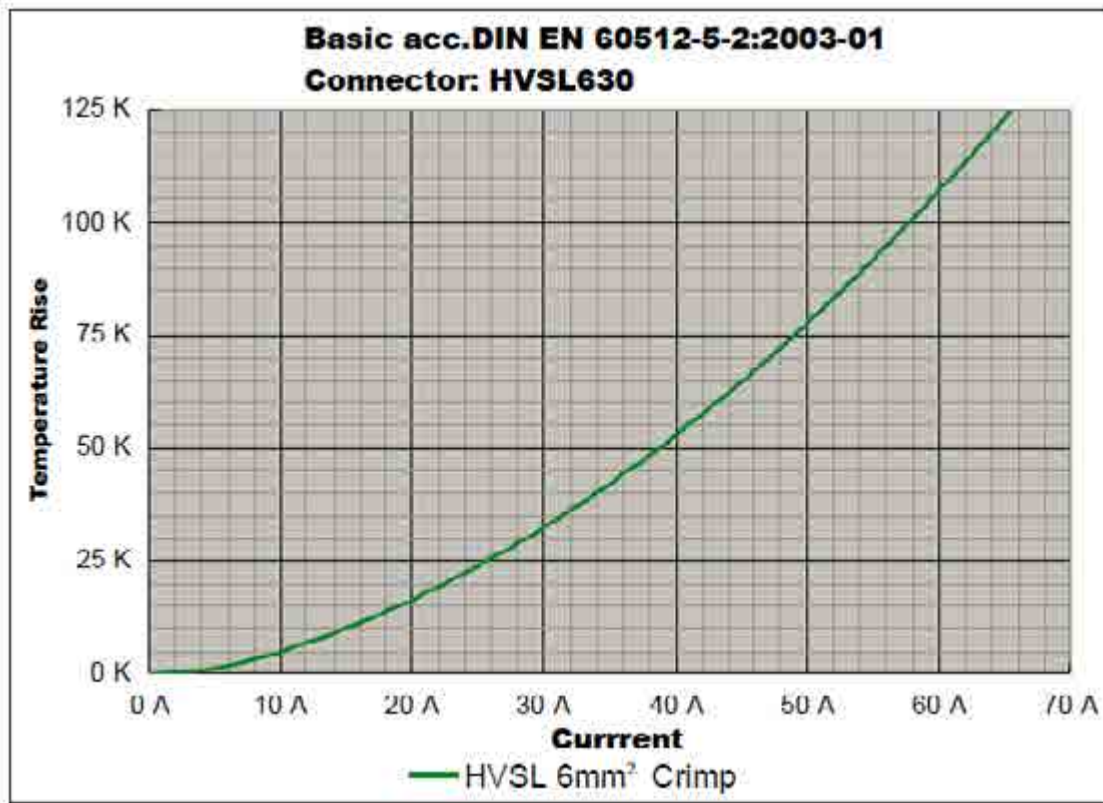
	HVSL630	06	2	A	0	04	10
<b>Product type:</b>	<b>06:</b> Straight plug						
<b>Position:</b>	<b>2:</b> 2 positions						
<b>Coding / Alternate position:</b>	<b>A:</b> Coding A <b>B:</b> Coding B <b>C:</b> Coding C <b>D:</b> Coding D <b>E:</b> Coding E						
<b>Interlock:</b>	<b>0:</b> Without interlock <b>1:</b> With interlock						
<b>Cable size:</b>	<b>04:</b> 4mm <sup>2</sup> <b>06:</b> 6mm <sup>2</sup> <b>25:</b> 25mm <sup>2</sup>						
<b>Sealing gasket:</b>	<b>10:</b> 10mm (Wire OD) <b>11:</b> 11mm (Wire OD) <b>12:</b> 12mm (Wire OD)						

## HOW TO ORDER: RECEPTACLE

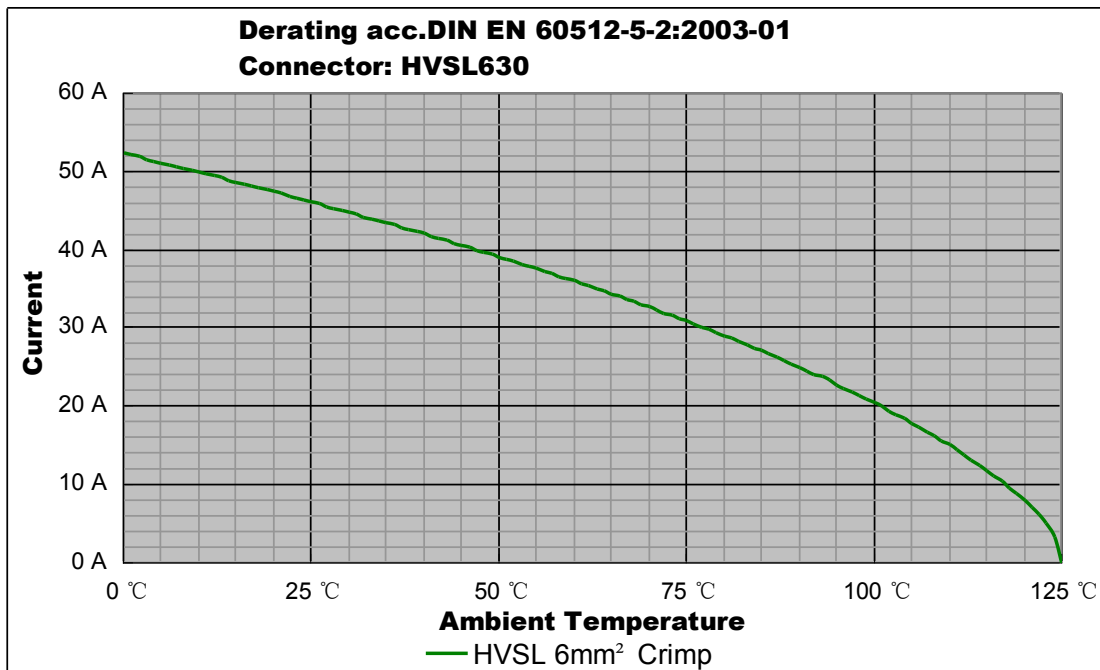
	HVSL630	02	2	A	04
<b>Product type:</b>	<b>02:</b> Box mounted receptacle				
<b>Position:</b>	<b>2:</b> 2 positions				
<b>Coding / Alternate position:</b>	<b>A:</b> Coding A <b>B:</b> Coding B <b>C:</b> Coding C <b>D:</b> Coding D <b>E:</b> Coding E				
<b>Cable size:</b>	<b>04:</b> 4mm <sup>2</sup> <b>06:</b> 6mm <sup>2</sup>				

# CHARTS (HVSL 630)

## HVSL 630 | Temperature Rise



## HVSL 630 | Derating Curve



Remark: tests carried out on the complete connector.

## Excel|Mate (HVSL633 3 pin connector)



### HVSL633

**HVSL633** is a 3 position connector with a current carrying capacity from 23 to 40A and 2.5 to 6mm<sup>2</sup> crimping cable.

Specially designed for DC-DC, air-conditioner, and others xEV devices' equipment.

### KEY FEATURES

Integrated internal HVIL

Current rating up to 40A

Two-stage, tool or thumb activated latching

No tool required to unmate

Sealing, IP67 (mated), IP6K9K

Touch-proof, IP2XB

Multiple coding positions

CPA available

### MECHANICAL

Durability	≥ 50 mating cycles
Wire range	2.5 to 6 mm <sup>2</sup> shielded wire (2.5mm <sup>2</sup> only for plug)
Insertion and extraction force	< 100N
Connection type	Crimping
Latching style	Two stage, finger actuated
HVIL	Integrated
CPA	Available

### ELECTRICAL

Rated voltage	800V DC
Rated current	40A Max @ ambient temperature 70°C
Insulator resistance	> 200MΩ
Dielectric withstand voltage	3000V AC
Shielding	360° from wire to device

### ENVIRONMENTAL

Sealing	IP67, IP6K9K (mated)
Touch-proof	IP2XB
Temperature range	-40°C to 125°C

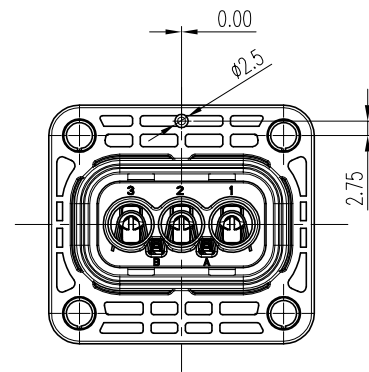
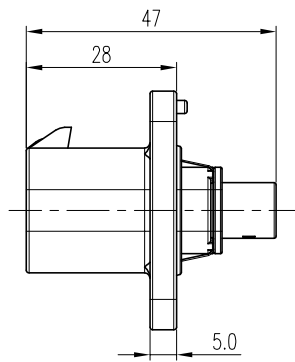
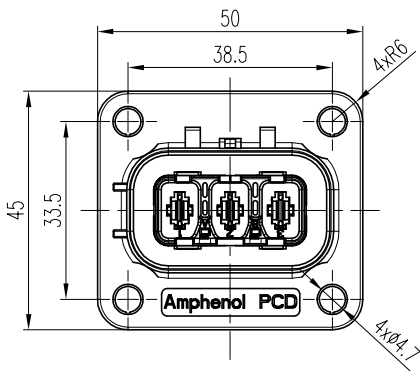
### MATERIAL

Terminals	Copper/copper alloy with tin plating
Housing	PA66 + GF



# Excel|Mate Eco (HVSL 633)

## RECEPTACLE HVSL633

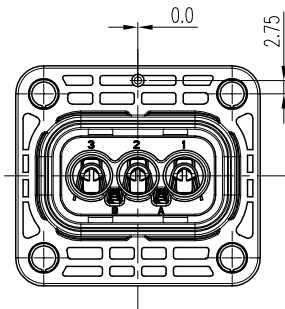
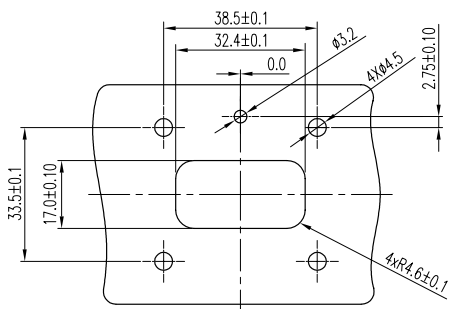
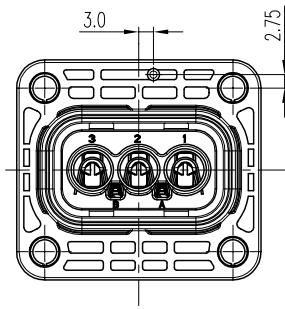
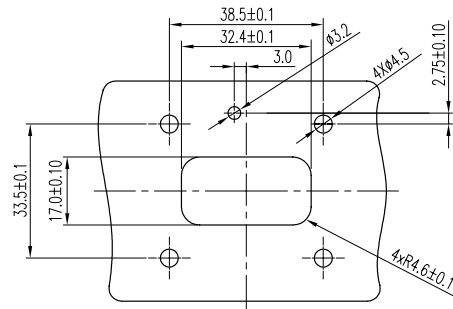
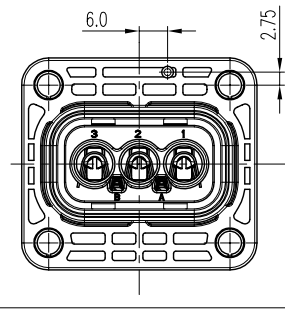
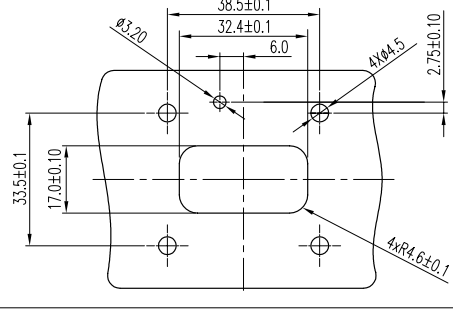
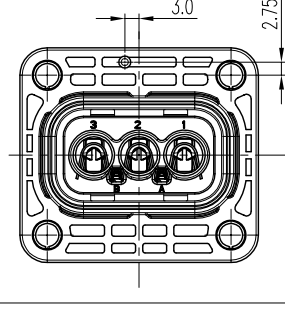
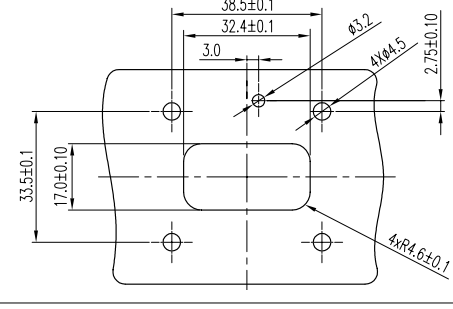
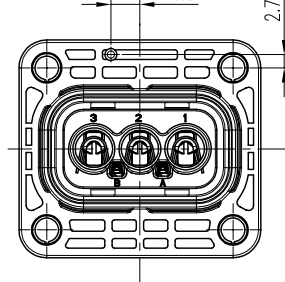
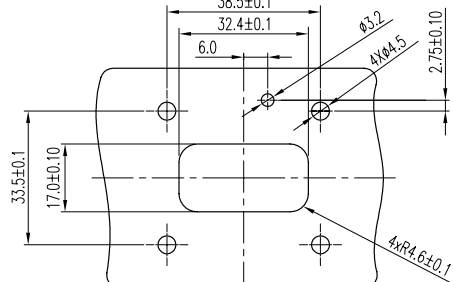


## CONTACTS

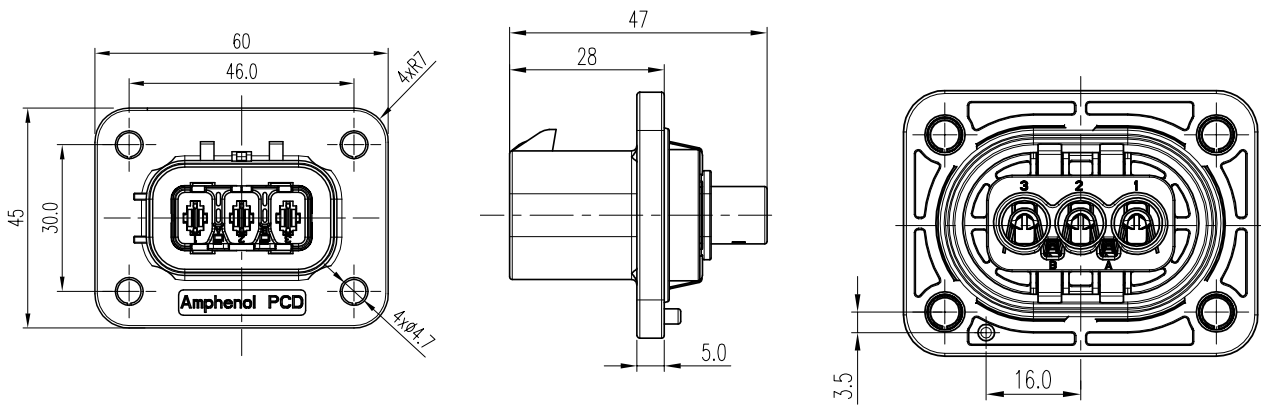
All connectors do not include contacts. Please order them separately (ref: P/N below)

Pin contact: crimping	Socket signal contact (HVIL)
P/N: C310003622	P/N: C310003614
4 to 6mm <sup>2</sup> unshielded wire	0.5mm <sup>2</sup> unshielded wire

PANEL MOUNTING DIMENSION

PART NUMBER	INSERT ORIENTATION	PANEL MOUNTED DIMENSION
HVSL633 023 A		
HVSL633 023 B		
HVSL633 023 C		
HVSL633 023 D		
HVSL633 023 E		

RECEPTACLE HVSLC633



CONTACTS

All connectors do not include contacts. Please order them separately (ref: P/N below)

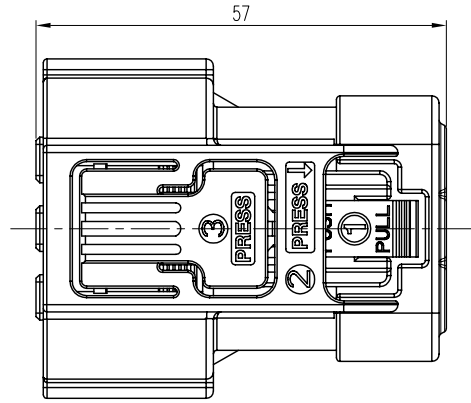
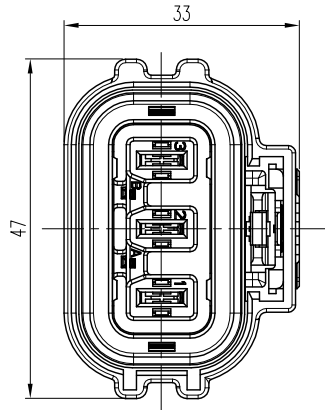
Pin contact: crimping	Socket signal contact (HVIL)
P/N: C310003622	P/N: C310003614
4 to 6mm <sup>2</sup> unshielded wire	0.5mm <sup>2</sup> unshielded wire

PANEL MOUNTING DIMENSION

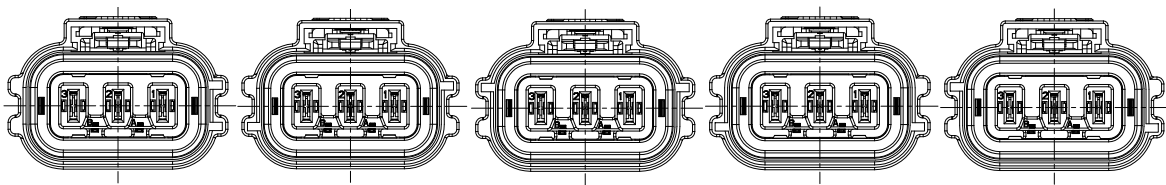
PART NUMBER	INSERT ORIENTATION	PANEL MOUNTED DIMENSION
HVSLC633 023 A		
HVSLC633 023 B		
HVSLC633 023 C		
HVSLC633 023 D		

# Excel|Mate Eco (HVSL 633)

## PLUG



## INSERT ORIENTATIONS



	Coding A	Coding B	Coding C	Coding D	Coding E
P/N	HVSL633 06 3 A	HVSL633 06 3 B	HVSL633 06 3 C	HVSL633 06 3 D	HVSL633 06 3 E

## CONTACTS

All connectors do not include contacts. Please order them separately (ref: P/N below)

Socket contact: crimping	Socket contact: crimping	HVIL contacts
P/N: C310023506	P/N: C310003623	Integrated, no need to buy.
2.5mm <sup>2</sup> shielded wire	4 to 6mm <sup>2</sup> shielded wire	

## HOW TO ORDER: PLUG

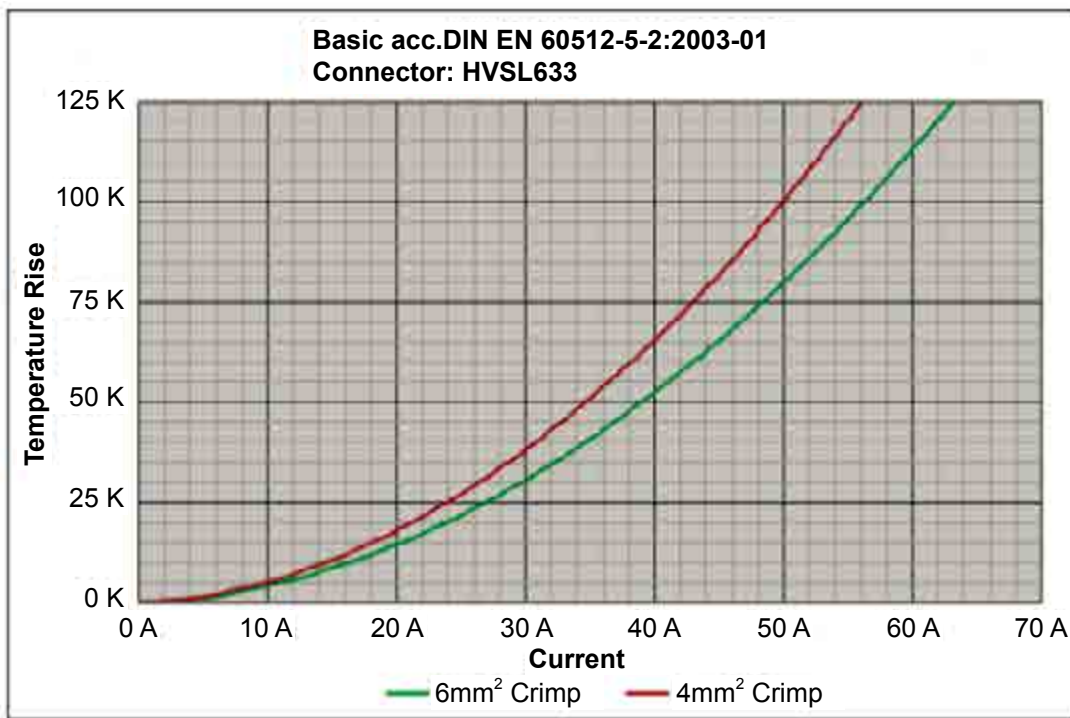
	HVSL633	06	3	A	0	04	I
<b>Product type:</b>	<b>06:</b> Straight plug						
<b>Position:</b>	<b>3:</b> 3 positions						
<b>Coding / Alternate position:</b>	<b>A:</b> Coding A <b>B:</b> Coding B <b>C:</b> Coding C <b>D:</b> Coding D <b>E:</b> Coding E						
<b>Interlock:</b>	<b>0:</b> Without interlock <b>1:</b> With interlock						
<b>Cable size:</b>	<b>03:</b> 2.5mm <sup>2</sup> <b>04:</b> 4mm <sup>2</sup> <b>06:</b> 6mm <sup>2</sup>						
<b>Wire type:</b>	<b>I:</b> Individually shielded wire						

## HOW TO ORDER: RECEPTACLES

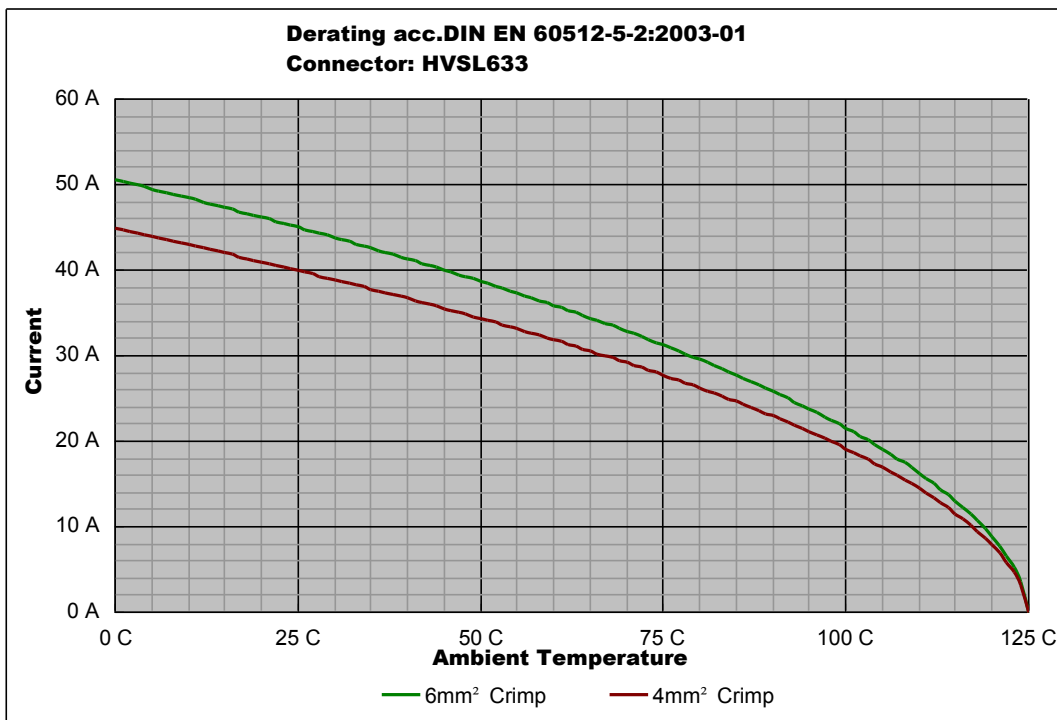
	HVSL633	02	3	A
<b>Product type:</b>	<b>02:</b> Box mounted receptacle			
<b>Position:</b>	<b>3:</b> 3 positions			
<b>Coding / Alternate position:</b>	<b>A:</b> Coding A <b>B:</b> Coding B <b>C:</b> Coding C <b>D:</b> Coding D <b>E:</b> Coding E			

	HVSLC633	02	3	A
<b>Product type:</b>	<b>02:</b> Box mounted receptacle			
<b>Position:</b>	<b>3:</b> 3 positions			
<b>Coding / Alternate position:</b>	<b>A:</b> Coding A <b>B:</b> Coding B <b>C:</b> Coding C <b>D:</b> Coding D			

## HVSL 633 | Temperature Rise



## HVSL 633 | Derating Curve



Remark: tests carried out on the complete connector.

## Excel|Mate Eco (HVSL280 3 POSITION CONNECTOR)



### HVSL280

**HVSL280** is a 3 position connector with plastic housing, high voltage, integrated HVIL. It provides a current carrying capacity from 16 to 23A and 2.5 to 4mm<sup>2</sup> crimping cable.

Specially designed for DC-DC, air-conditioner, and other equipment in xEV device applications.

### KEY FEATURES

Integrated internal HVIL

Current rating up to 23A

Two-stage, tool or thumb activated latching

No tool required to unmate

Sealing, IP67 (mated), IP6K9K

Touch-proof, IP2XB

Multiple coding positions

CPA available

### MECHANICAL

Durability	≥ 50 mating cycles
Wire range	2.5 to 4 mm <sup>2</sup> shielded wire
Insertion and extraction force	< 100N
Connection type	Crimping
Latching style	Two stage, finger actuated
HVIL	Integrated
CPA	Available

### ELECTRICAL

Rated voltage	800V DC
Rated current	23A Max @ ambient temperature 70°C
Insulator resistance	> 200MΩ
Dielectric withstand voltage	3000V AC
Shielding	360° from wire to device

### ENVIRONMENTAL

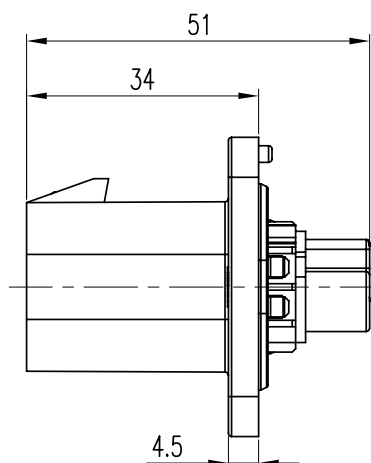
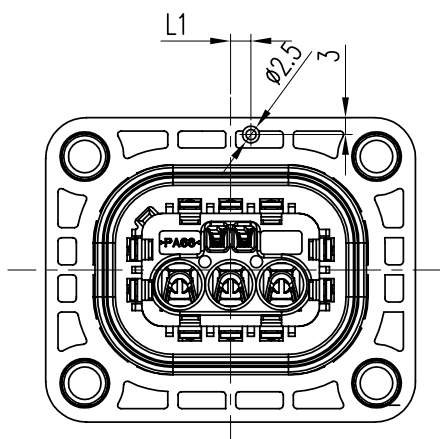
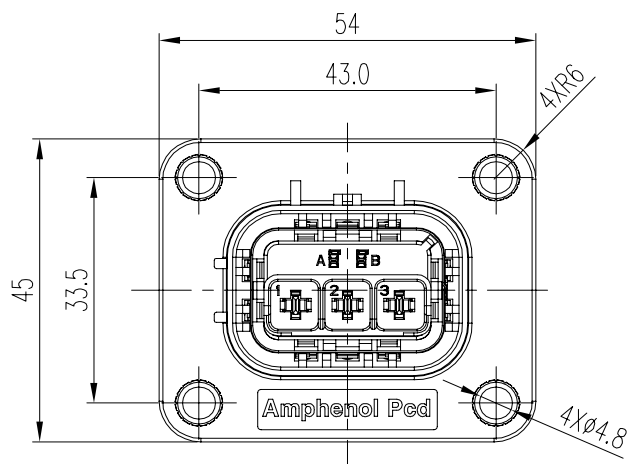
Sealing	IP67, IP6K9K (mated)
Touch-proof	IP2XB
Temperature range	-40°C to 125°C

### MATERIAL

Terminals	Copper/copper alloy with tin plating
Housing	PA66 + GF



## RECEPTACLE



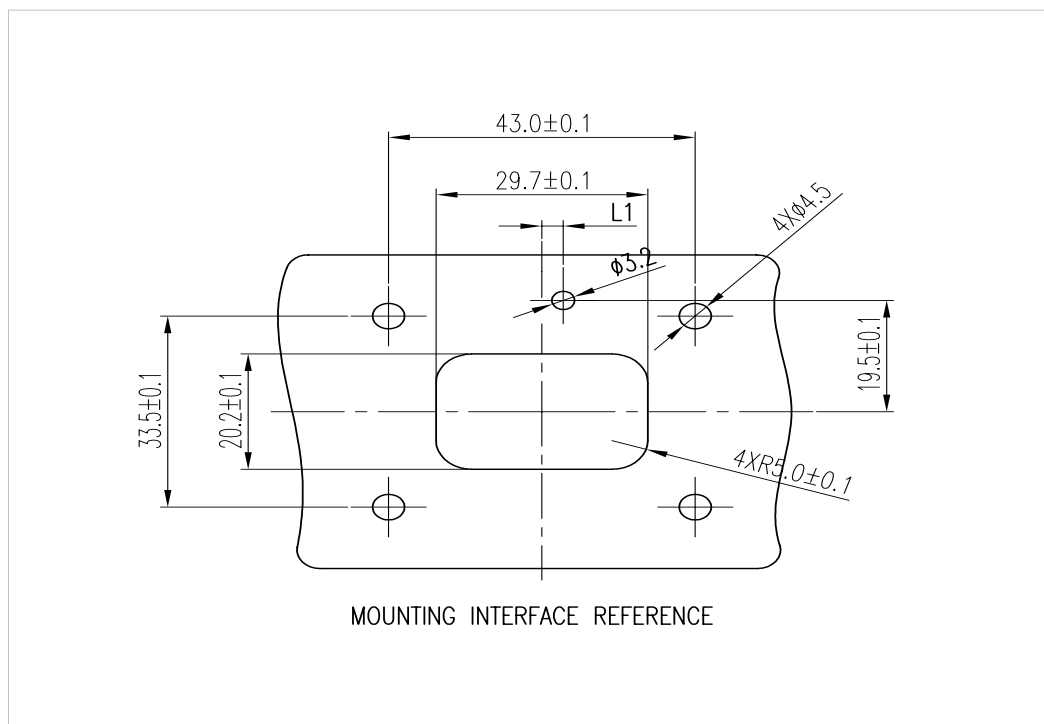
## CONTACTS

All connectors do not include contacts. Please order them separately (ref: P/N below)

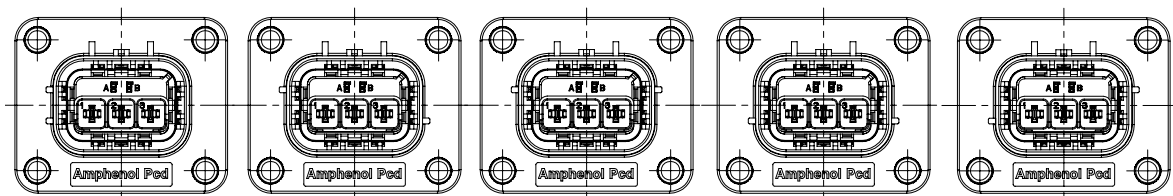
For HVSL280023XX04	For HVSL280023XX04
Pin contact: crimping	Pin signal contact (HVIL)
P/N: C310003611	P/N: C310003613
2.5 to 4mm <sup>2</sup> unshielded wire	0.5mm <sup>2</sup> unshielded wire

PANEL MOUNTING DIMENSIONS

CODING	A	B	C	D	E
L1 (Receptacle)	0	3	6	-3	-6
L1 (Panel mount)	0	-3	-6	3	6



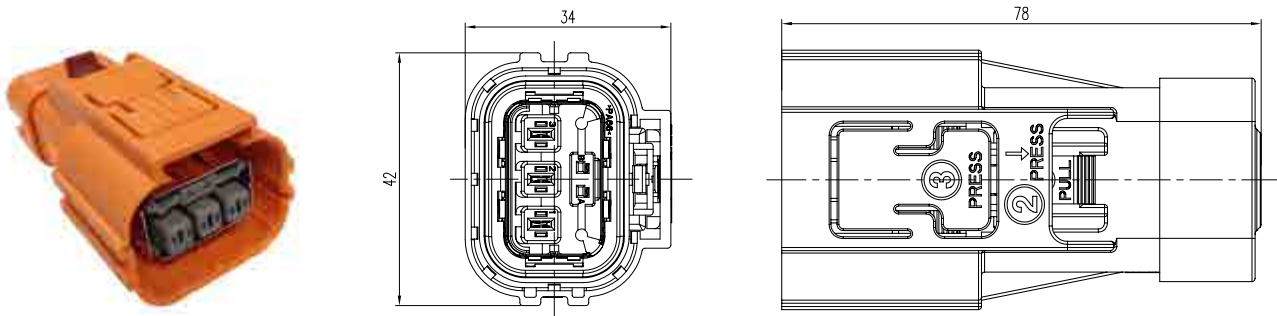
INSERT ORIENTATIONS



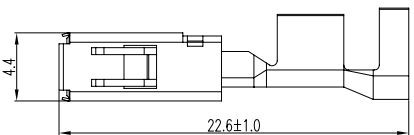
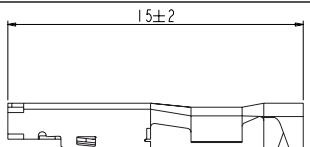
	Coding A	Coding B	Coding C	Coding D	Coding E
P/N	HVSL280 02 3 A	HVSL280 02 3 B	HVSL280 02 3 C	HVSL280 02 3 D	HVSL280 02 3 E

# Excel|Mate Eco (HVSL 280)

## PLUG



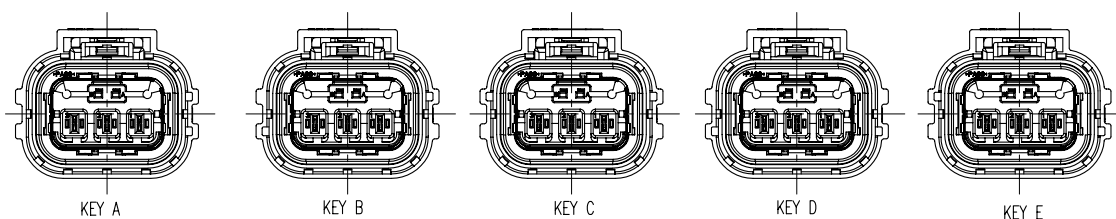
## CONTACTS

All connectors do not include contacts. Please order them separately (ref: P/N below)	
For HVSL280063XX04XX	For HVSL280063XX04XX
Socket contact	Socket signal contact (HVIL)
P/N: C310003612	P/N: C310003614
	
2.5 to 4mm <sup>2</sup> shielded wire	0.5mm <sup>2</sup> unshielded wire

Sealing gasket for HVSL280063XX04XX:

12	11	10
P/N: C270003607	P/N: C2700036071	P/N: C2700036072
12 ± 0.2 mm (Wire OD)	11 ± 0.2 mm (Wire OD)	10 ± 0.2 mm (Wire OD)

## INSERT ORIENTATIONS



	Coding A	Coding B	Coding C	Coding D	Coding E
P/N	HVSL280 06 3 A	HVSL280 06 3 B	HVSL280 06 3 C	HVSL280 06 3 D	HVSL280 06 3 E

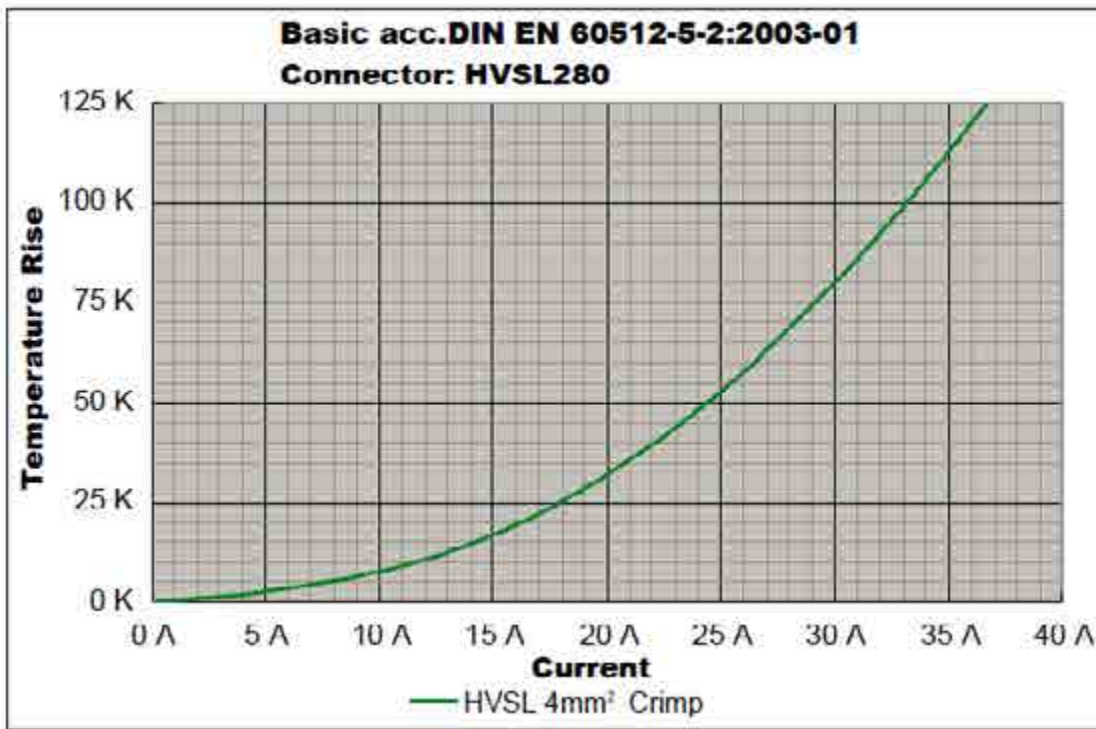
## HOW TO ORDER: PLUG

	HVSL280	06	3	A	0	03	10
<b>Product type:</b>	<b>06:</b> Straight plug						
<b>Position:</b>	<b>3:</b> 3 positions						
<b>Coding / Alternate position:</b>	<b>A:</b> Coding A <b>B:</b> Coding B <b>C:</b> Coding C <b>D:</b> Coding D <b>E:</b> Coding E						
<b>Interlock:</b>	<b>0:</b> Without interlock <b>1:</b> With interlock						
<b>Cable size:</b>	<b>03:</b> 2.5mm <sup>2</sup> <b>04:</b> 4mm <sup>2</sup>						
<b>Sealing gasket:</b>	<b>10:</b> 10mm (Wire OD) <b>11:</b> 11mm (Wire OD) <b>12:</b> 12mm (Wire OD)						

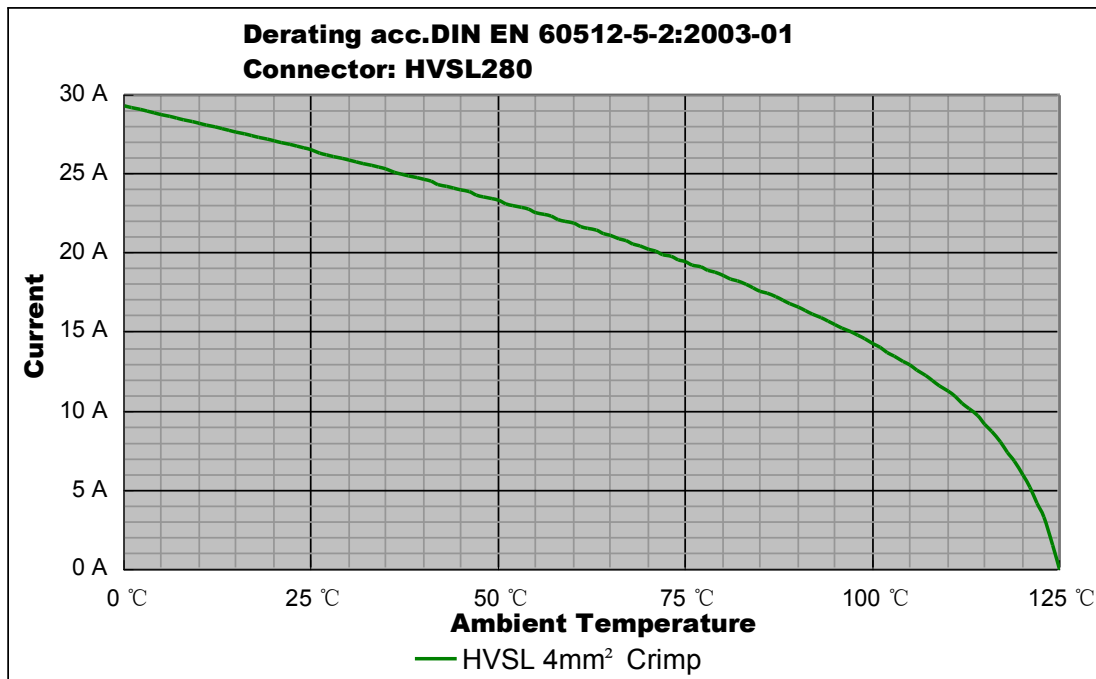
## HOW TO ORDER: RECEPTACLE

	HVSL280	02	3	A
<b>Product type:</b>	<b>02:</b> Box mounted receptacle			
<b>Position:</b>	<b>3:</b> 3 positions			
<b>Coding / Alternate position:</b>	<b>A:</b> Coding A <b>B:</b> Coding B <b>C:</b> Coding C <b>D:</b> Coding D <b>E:</b> Coding E			

## HVSL 280 | Temperature Rise



## HVSL 280 | Derating Curve



Remark: tests carried out on the complete connector.

## Excel|Mate Eco (HVSL282 2 PIN connector)



### HVSL282

**HVSL282** is a 2 position connector with plastic housing, high voltage, integrated HVIL. It provides a current carrying capacity from 16 to 32A and 2.5 to 4mm<sup>2</sup> crimping cable.

Specially designed for DC-DC, air-conditioner, and other equipment in xEV device applications.

### KEY FEATURES

Integrated internal HVIL

Current rating up to 32A

Two-stage, tool or thumb activated latching

No tool required to unmate

Sealing, IP67 (mated), IP6K9K

Touch-proof, IP2XB

Multiple coding positions

CPA available

### MECHANICAL

Durability	≥ 50 mating cycles
Wire range	2.5 to 4 mm <sup>2</sup> shielded wire
Insertion and extraction force	< 100N
Connection type	Crimping
Latching style	Two stage, finger actuated
HVIL	Integrated
CPA	Available

### ELECTRICAL

Rated voltage	800V DC
Rated current	32A Max @ ambient temperature 70°C
Insulator resistance	> 200MΩ
Dielectric withstand voltage	3000V AC
Shielding	360° from wire to device

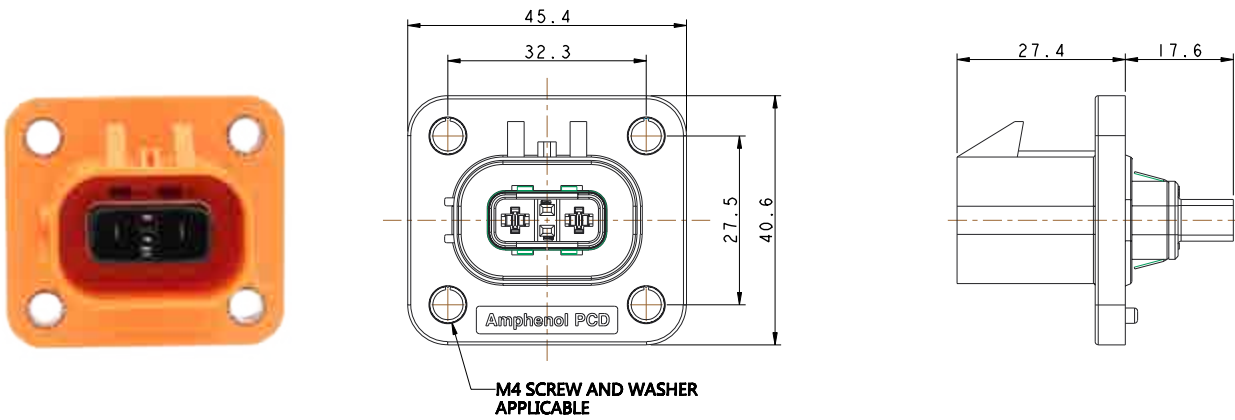
### ENVIRONMENTAL

Sealing	IP67, IP6K9K (mated)
Touch-proof	IP2XB
Temperature range	-40°C to 125°C

### MATERIAL

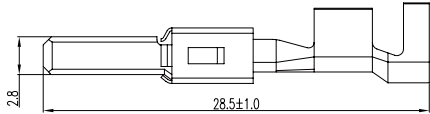
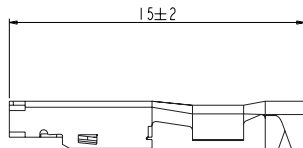
Terminals	Copper/copper alloy with tin plating
Housing	PA66 + GF

RECEPTACLE

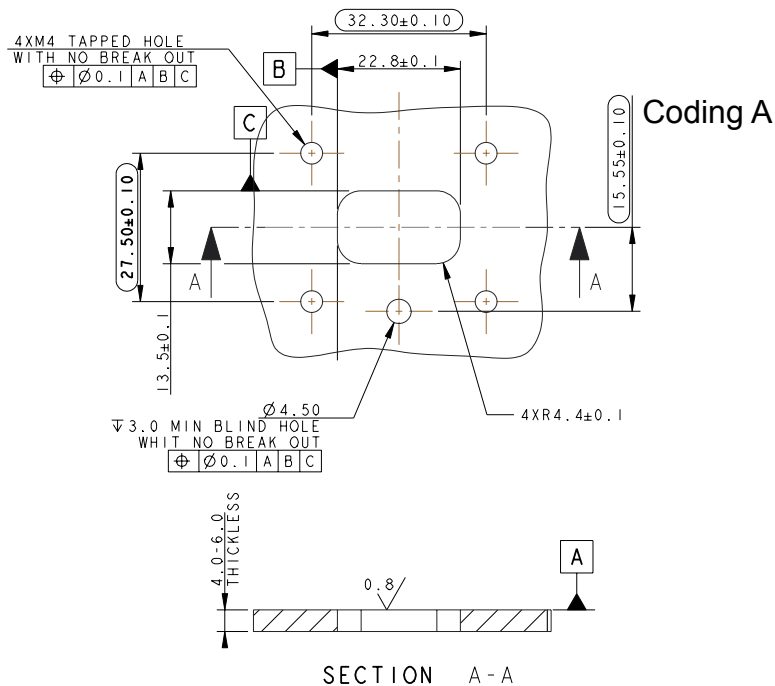


CONTACTS

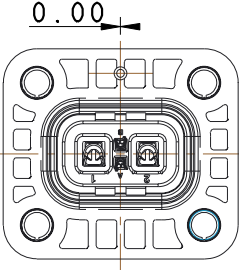
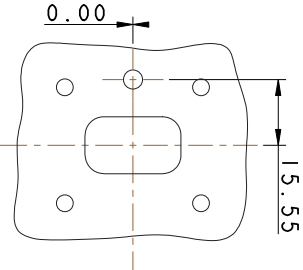
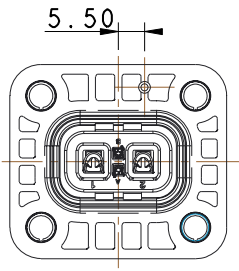
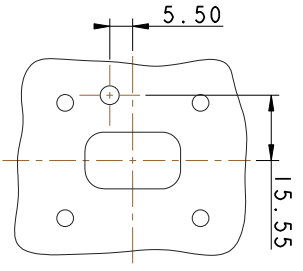
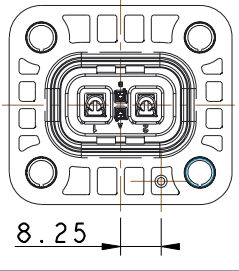
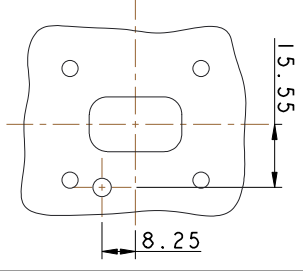
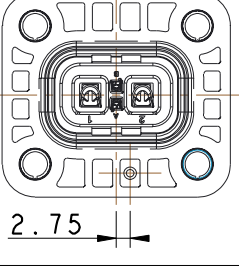
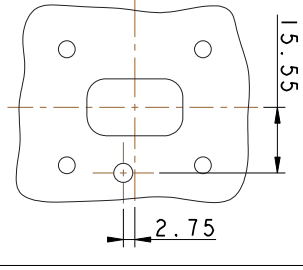
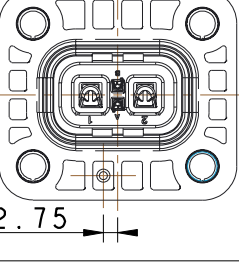
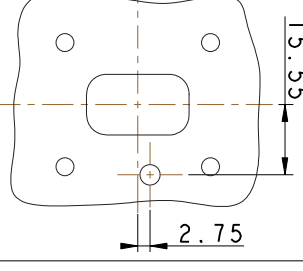
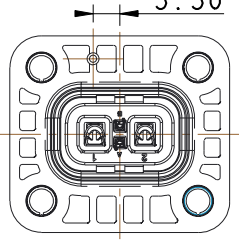
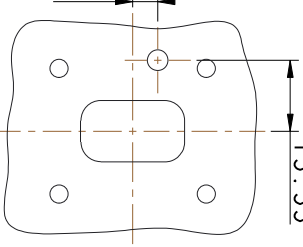
All connectors do not include contacts. Please order them separately (ref: P/N below)

Pin contact: crimping	Socket signal contact (HVIL)
P/N: C310003611	P/N: C310003614
	
2.5 to 4mm <sup>2</sup> unshielded wire	0.5mm <sup>2</sup> unshielded wire

PANEL MOUNTING DIMENSION

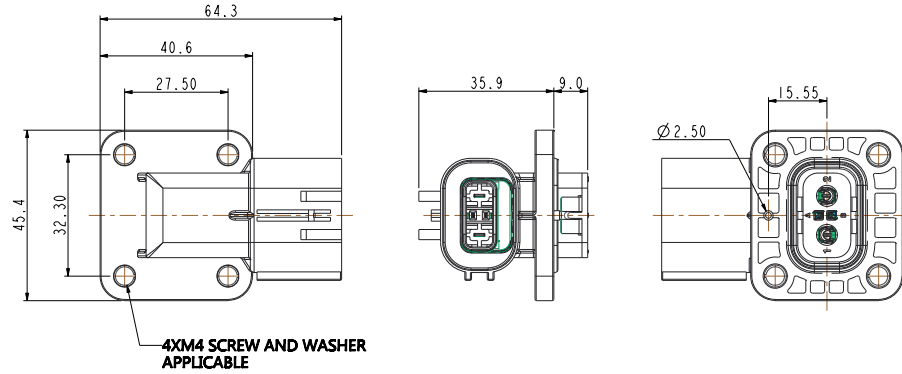


PANEL MOUNTING HOLES POSITIONS

PART NUMBER	INSERT ORIENTATION	PANEL MOUNTING DIMENSION
HVSL282 02 2 A	 <p>0.00</p>	 <p>0.00</p> <p>15.55</p>
HVSL282 02 2 B	 <p>5.50</p>	 <p>5.50</p> <p>15.55</p>
HVSL282 02 2 C	 <p>8.25</p>	 <p>15.55</p> <p>8.25</p>
HVSL282 02 2 D	 <p>2.75</p>	 <p>15.55</p> <p>2.75</p>
HVSL282 02 2 E	 <p>2.75</p>	 <p>15.55</p> <p>2.75</p>
HVSL282 02 2 F	 <p>5.50</p>	 <p>5.50</p> <p>15.55</p>

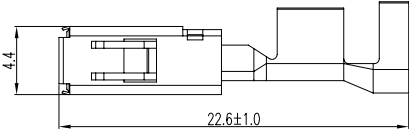
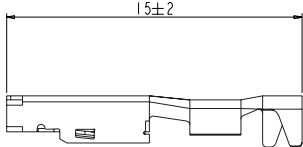


RIGHT-ANGLE RECEPTACLE

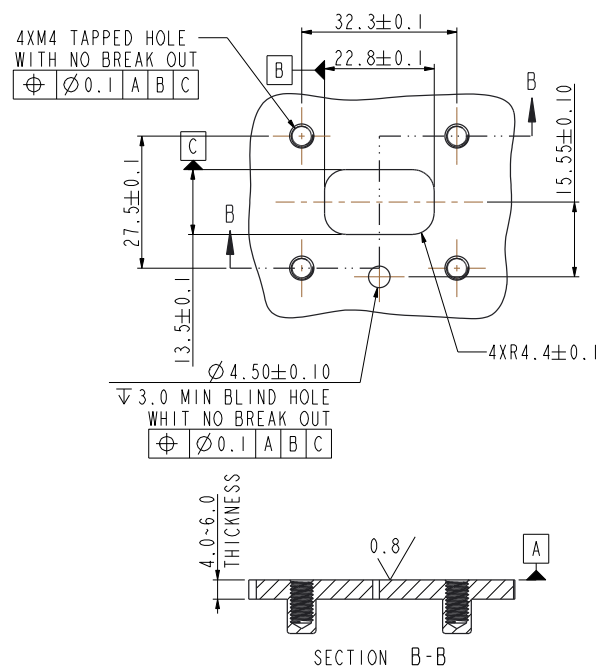


CONTACTS

All connectors do not include contacts. Please order them separately (ref: P/N below)

Socket contact: crimping	Socket signal contact (HVIL)
P/N: C310003612	P/N: C310003614
	
2.5 to 4mm <sup>2</sup> shielded wire	0.5mm <sup>2</sup> unshielded wire

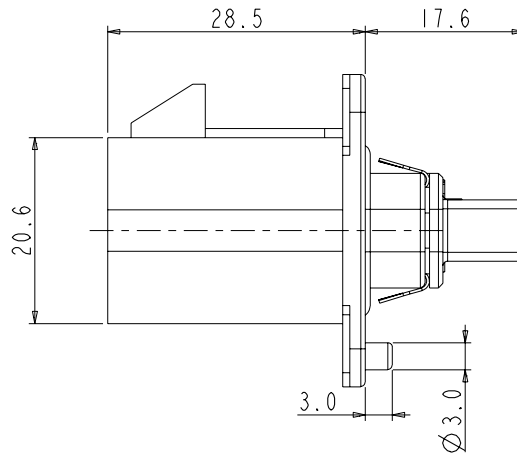
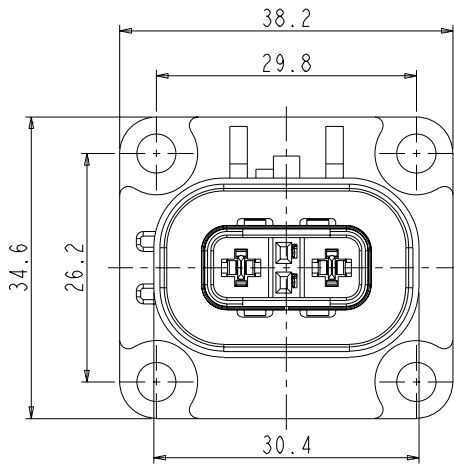
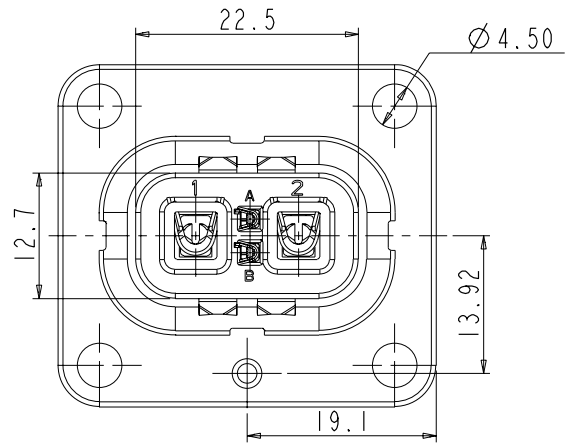
PANEL MOUNTING DIMENSION



## PANEL MOUNTING HOLES POSITIONS

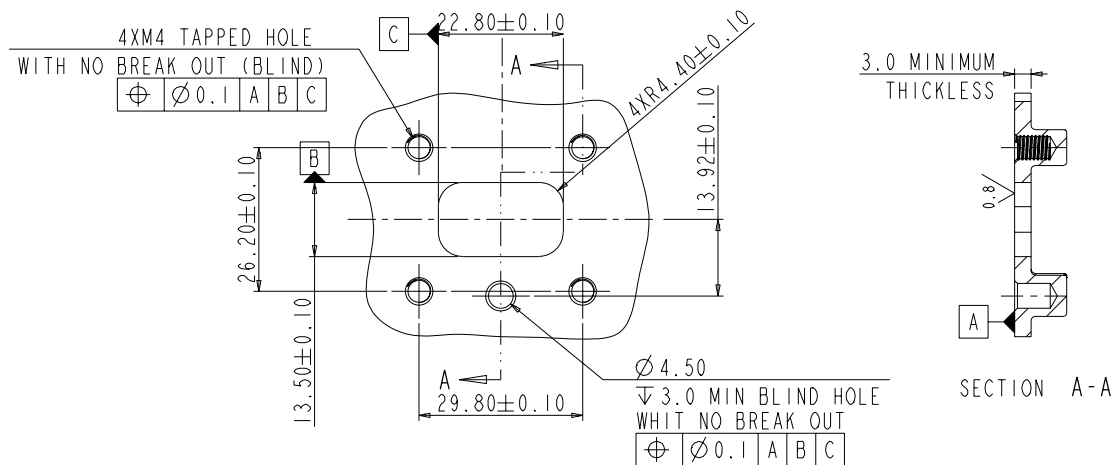
PART NUMBER	INSERT ORIENTATION	PANEL MOUNTING DIMENSION
HVSL282 04 2 AX		
HVSL282 04 2 BX		
HVSL282 04 2 CX		
HVSL282 04 2 DX		
HVSL282 04 2 EX		
HVSL282 04 2 FX		

RECEPTACLE: METAL SHELL

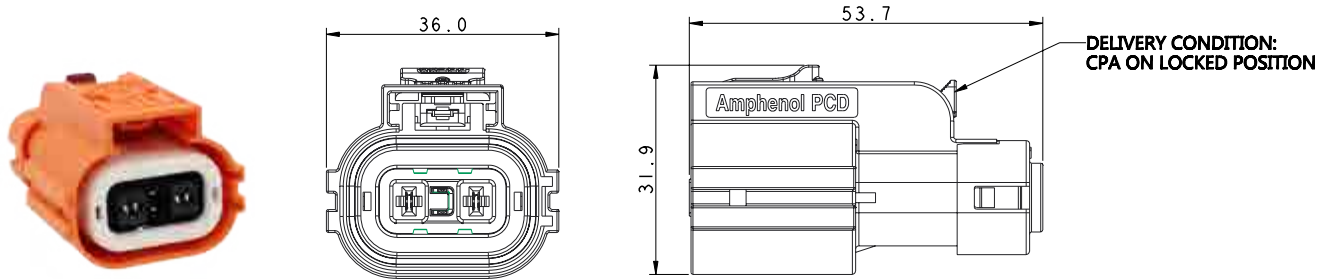


PANEL MOUNTING DIMENSION

PANEL CUT-OUT REFERENCE



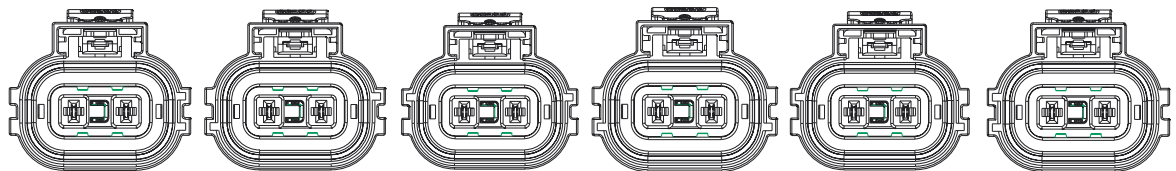
PLUG



CONTACTS

All connectors do not include contacts. Please order them separately (ref: P/N below)	
Socket contact: crimping	HVIL contacts
P/N: C310003612	Integrated, no need to buy.
2.5 to 4mm <sup>2</sup> shielded wire	

INSERT ORIENTATIONS



	Coding A	Coding B	Coding C	Coding D	Coding E	Coding F
P/N	HVSL282 06 2 A	HVSL282 06 2 B	HVSL282 06 2 C	HVSL282 06 2 D	HVSL282 06 2 E	HVSL282 06 2 F

# HOW TO ORDER (HVSL 282)

## HOW TO ORDER: PLUG

	HVSL282	06	2	A	0	03	I
<b>Product type:</b>	<b>06:</b> Straight plug						
<b>Position:</b>	<b>2:</b> 2 positions						
<b>Coding / Alternate position:</b>	<b>A:</b> Coding A		<b>D:</b> Coding D				
	<b>B:</b> Coding B		<b>E:</b> Coding E				
	<b>C:</b> Coding C		<b>F:</b> Coding F				
<b>HVIL:</b>	<b>0:</b> Without HVIL						
	<b>1:</b> With HVIL						
<b>Cable size:</b>	<b>03:</b> 2.5mm <sup>2</sup>						
	<b>04:</b> 4mm <sup>2</sup>						
<b>Wire type:</b>	<b>I:</b> Individually shielded wire						

## HOW TO ORDER: RECEPTACLES

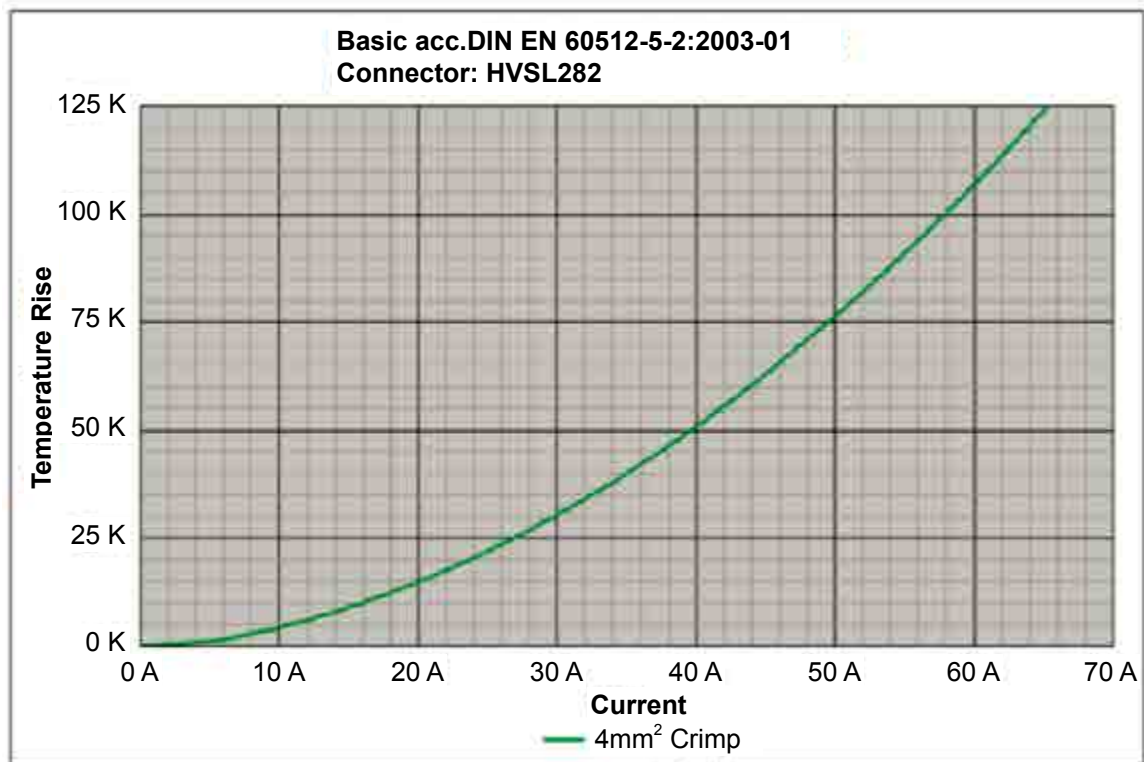
	HVSL282	02	2	A	
<b>Product type:</b>	<b>02:</b> Box mounted receptacle				
<b>Position:</b>	<b>2:</b> 2 positions				
<b>Coding / Alternate position:</b>	<b>A:</b> Coding A		<b>D:</b> Coding D		
	<b>B:</b> Coding B		<b>E:</b> Coding E		
	<b>C:</b> Coding C		<b>F:</b> Coding F		

	HVSL282	04	2	A	X
<b>Product type:</b>	<b>04:</b> Right-angle receptacle				
<b>Position:</b>	<b>2:</b> 2 positions				
<b>Coding / Alternate position:</b>	<b>A:</b> Coding A		<b>D:</b> Coding D		
	<b>B:</b> Coding B		<b>E:</b> Coding E		
	<b>C:</b> Coding C		<b>F:</b> Coding F		
<b>HVIL</b>	<b>0:</b> without HVIL				
	<b>1:</b> with HVIL				

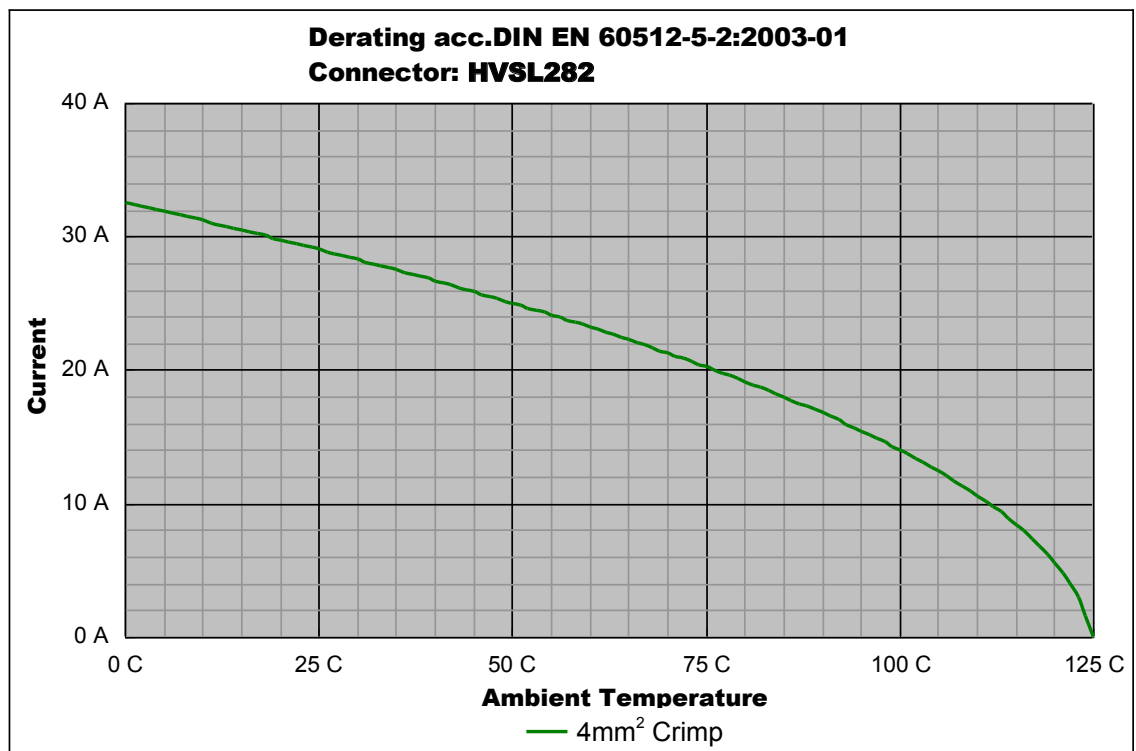
## RECEPTACLE: METAL SHELL

	HVSLM282	02	2	A	
<b>Product type:</b>	<b>02:</b> Box mounted receptacle				
<b>Position:</b>	<b>2:</b> 2 positions				
<b>Coding / Alternate position:</b>	<b>A:</b> Coding A		<b>D:</b> Coding D		
	<b>B:</b> Coding B		<b>E:</b> Coding E		
	<b>C:</b> Coding C		<b>F:</b> Coding F		

## HVSL 282 | Temperature Rise



## HVSL 282 | Derating Curve



Remark: tests carried out on the complete connector.

# Excel|Mate Eco (HVSL 362)

Excel|Mate Eco (HVSL362 2 PIN connector)



## HVSL362

**HVSL362** is a 2 position connector with plastic housing, high voltage, integrated HVIL. It provides a current carrying capacity up to 60A and a 6 to 10mm<sup>2</sup> crimping cable.

Specially designed for DC-DC, air-conditioner, and other equipment in xEV device applications.

### KEY FEATURES

Integrated internal HVIL

Current rating up to 60A

Two-stage, tool or thumb activated latching

No tool required to unmate

Sealing, IP67 (mated), IP6K9K

Touch-proof, IP2XB

Multiple coding positions

CPA available

### MECHANICAL

Durability	≥ 50 mating cycles
Wire range	6 to 10mm <sup>2</sup> shielded wire
Insertion and extraction force	< 100N
Connection type	Crimping
Latching style	Two stage, finger actuated
HVIL	Integrated
CPA	Available

### ELECTRICAL

Rated voltage	800V DC
Rated current	60A Max @ ambient temperature 70°C
Insulator resistance	> 200MΩ
Dielectric withstand voltage	3000V AC
Shielding	360° from wire to device

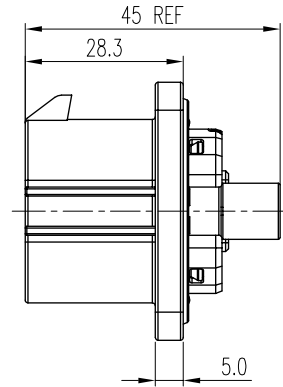
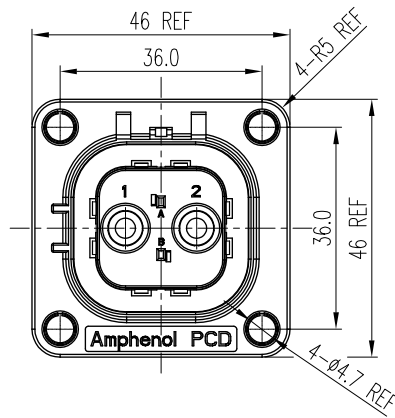
### ENVIRONMENTAL

Sealing	IP67, IP6K9K (mated)
Touch-proof	IP2XB
Temperature range	-40°C to 125°C

### MATERIAL

Terminals	Copper/copper alloy with silver plating
Housing	PA66 + GF

RECEPTACLE

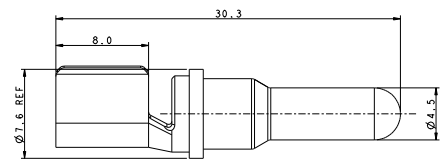


CONTACTS

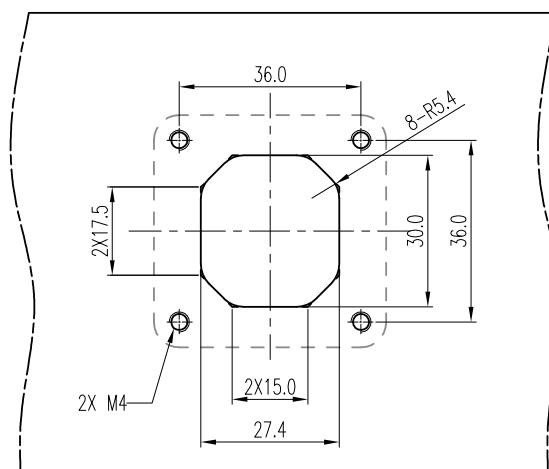
All connectors do not include contacts. Please order them separately (ref: P/N below)

CONTACTS

HVIL contacts	6 to 10mm <sup>2</sup>
P/N: C310003614	P/N: C3100235011



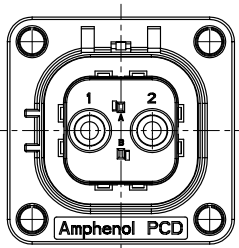
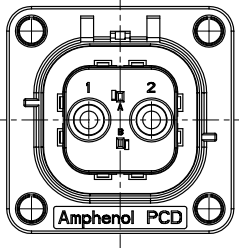
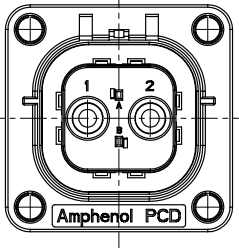
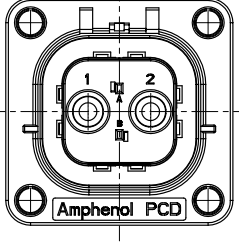
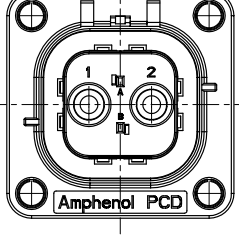
PANEL MOUNTING DIMENSION



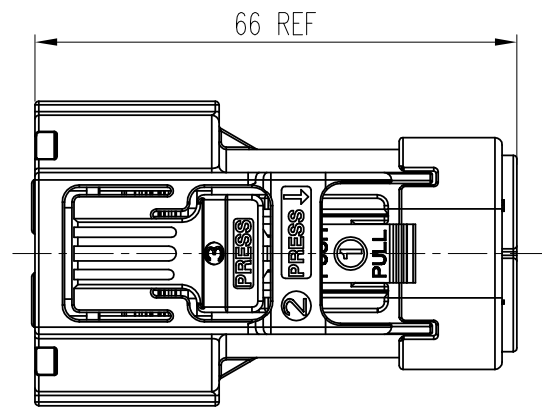
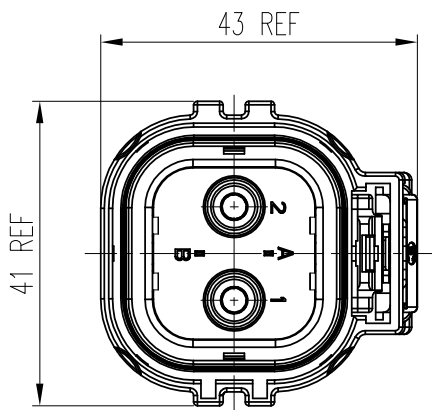
MOUNTING INTERFACE SPECIFICATION  
RECOMMENDED THICKNESS: 3.0mm Min



PANEL MOUNTING HOLES POSITIONS

PART NUMBER	INSERT ORIENTATION
HVSL362 022 A	
HVSL362 022 B	
HVSL362 022 C	
HVSL362 022 D	
HVSL362 022 E	

PLUG

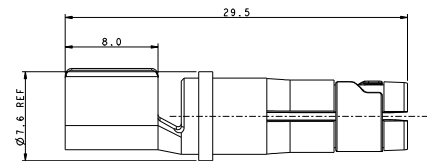


CONTACTS

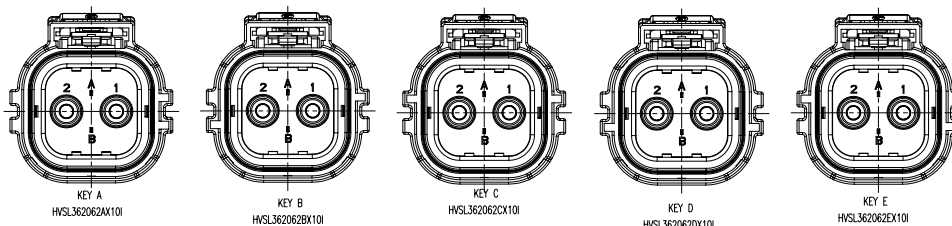
All connectors do not include contacts. Please order them separately (ref: P/N below)

CONTACTS

HVIL contacts	6 to 10mm <sup>2</sup>
Integrated, no need to buy.	P/N: C3100235021



INSERT ORIENTATIONS



	Coding A	Coding B	Coding C	Coding D	Coding E
P/N	HVSL362 062 A	HVSL362 062 B	HVSL362 062 C	HVSL362 062 D	HVSL362 062 E

# HOW TO ORDER (HVSL 362)

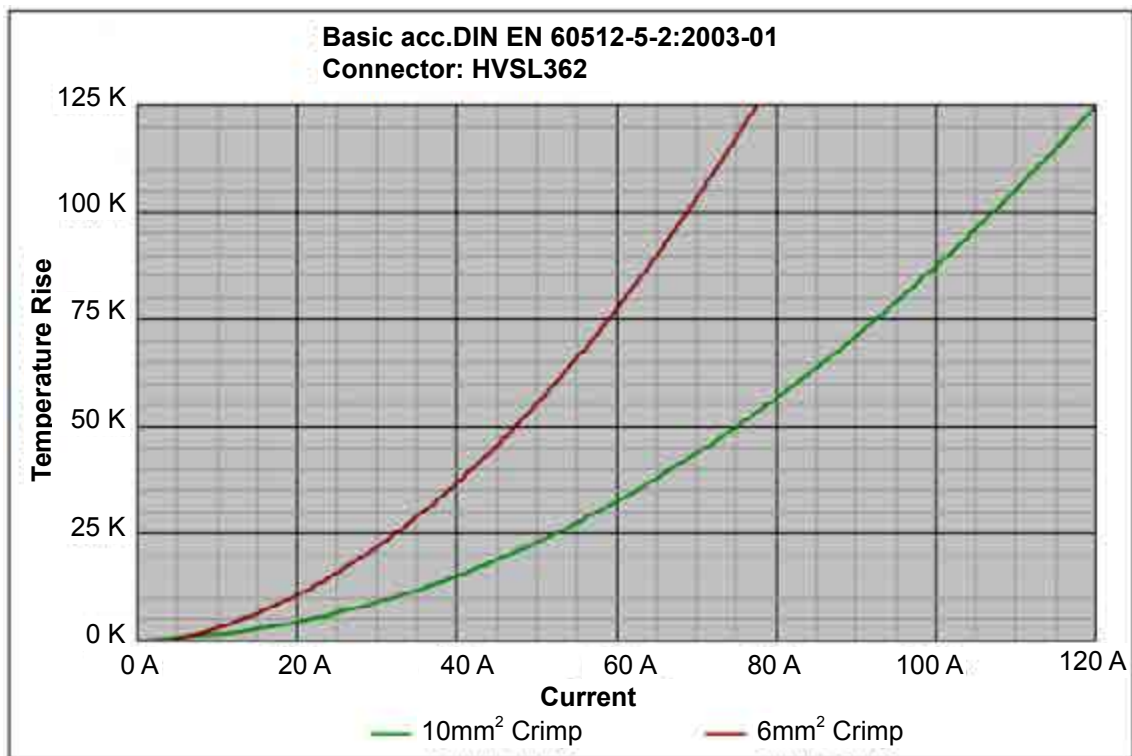
## HOW TO ORDER: PLUG

		HVSL362	06	2	A	0	06	I
<b>Product type:</b>	<b>06:</b> Straight plug							
<b>Position:</b>	<b>2:</b> 2 positions							
<b>Coding / Alternate position:</b>	<b>A:</b> Coding A <b>B:</b> Coding B <b>C:</b> Coding C <b>D:</b> Coding D <b>E:</b> Coding E							
<b>Interlock:</b>	<b>0:</b> Without interlock <b>1:</b> With interlock							
<b>Cable size:</b>	<b>06:</b> 6mm <sup>2</sup> <b>10:</b> 10mm <sup>2</sup>							
<b>Wire type:</b>	<b>I:</b> Individually shielded wire							

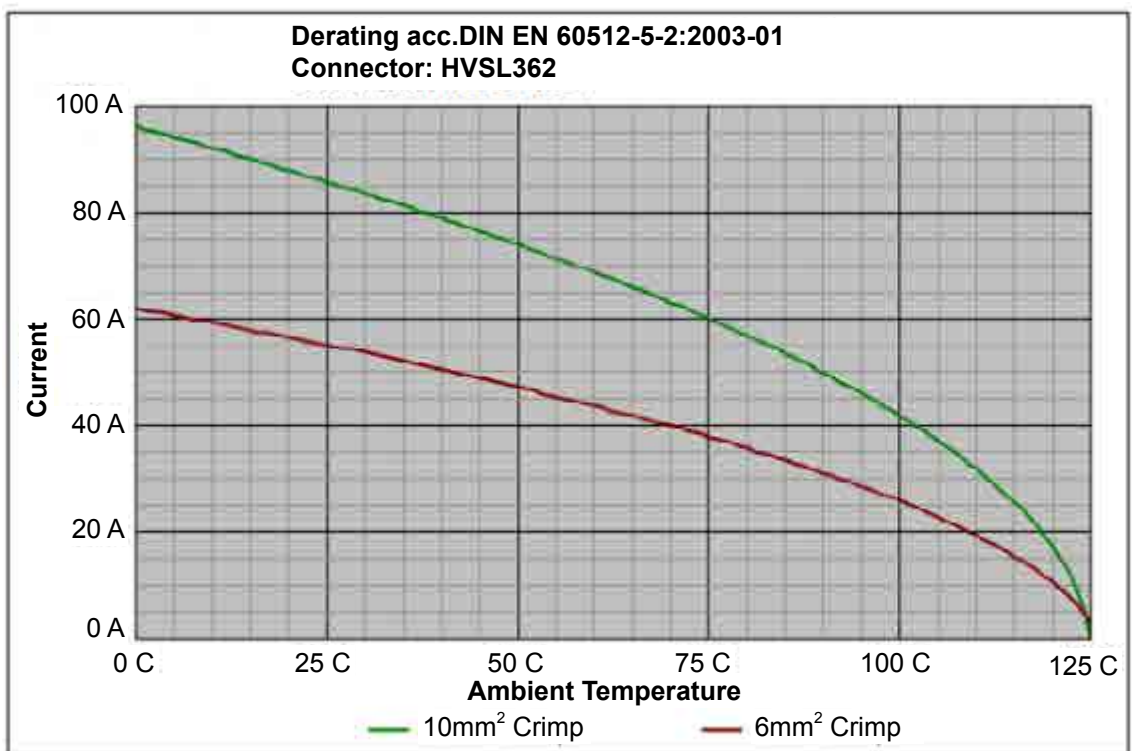
## HOW TO ORDER: RECEPTACLE

		HVSL362	02	2	A
<b>Product type:</b>	<b>02:</b> Box mounted receptacle				
<b>Position:</b>	<b>2:</b> 2 positions				
<b>Coding / Alternate position:</b>	<b>A:</b> Coding A <b>B:</b> Coding B <b>C:</b> Coding C <b>D:</b> Coding D <b>E:</b> Coding E				

HVSL 362 | Temperature Rise



HVSL 362 | Derating Curve



Remark: tests carried out on the complete connector.

# Excel|Mate Eco (HVSL 364)

Excel|Mate Eco (HVSL364 4 PIN connector)



## HVSL364

**HVSL364** is a 4 position connector with plastic housing, high voltage, integrated HVIL. It provides a current carrying capacity up to 46A and 2.5 to 6mm<sup>2</sup> crimping cable.

Specially designed for DC-DC, air-conditioner, and other equipment in xEV device applications.

### KEY FEATURES

Integrated internal HVIL

Current rating up to 46A

Two-stage, tool or thumb activated latching

No tool required to unmate

Sealing, IP67 (mated), IP6K9K

Touch-proof, IP2XB

Multiple coding positions

CPA available

### MECHANICAL

Durability	≥ 50 mating cycles
Wire range	2.5 to 6mm <sup>2</sup> shielded wire
Insertion and extraction force	< 100N
Connection type	Crimping
Latching style	Two stage, finger actuated
HVIL	Integrated
CPA	Available

### ELECTRICAL

Rated voltage	800V DC
Rated current	46A Max @ ambient temperature 70°C
Insulator resistance	> 200MΩ
Dielectric withstand voltage	3000V AC
Shielding	360° from wire to device

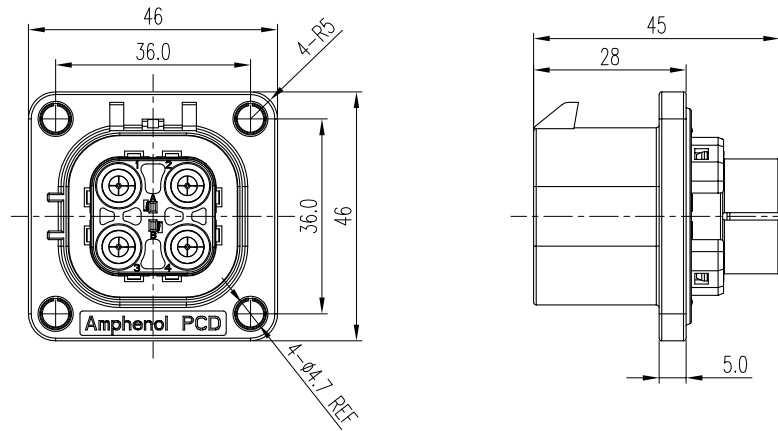
### ENVIRONMENTAL

Sealing	IP67, IP6K9K (mated)
Touch-proof	IP2XB
Temperature range	-40°C to 125°C

### MATERIAL

Terminals	Copper/copper alloy with silver plating
Housing	PA66 + GF

RECEPTACLE

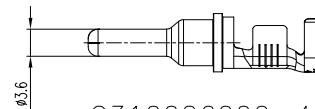


CONTACTS

All connectors do not include contacts. Please order them separately (ref: P/N below)

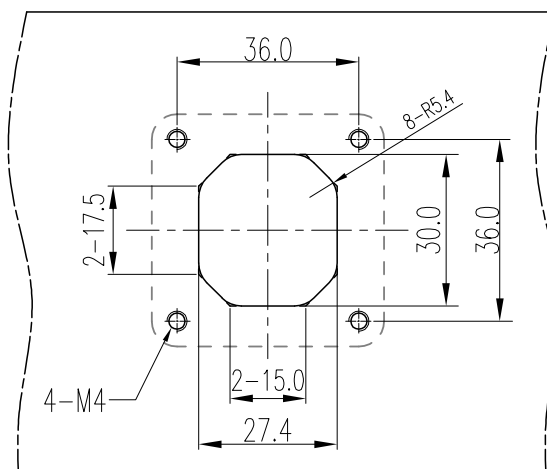
CONTACTS

HVIL contacts	4 to 6mm <sup>2</sup>	2.5mm <sup>2</sup>
P/N: C310003614	P/N: C310026000	P/N: C310026002



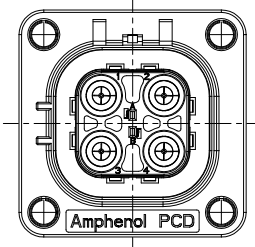
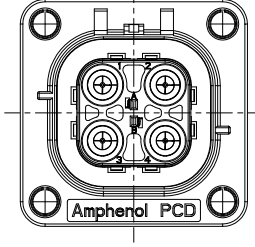
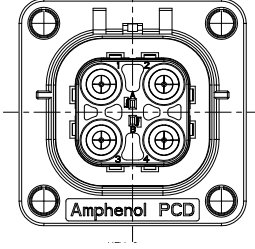
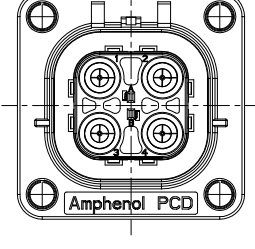
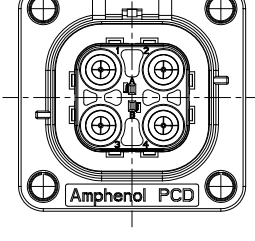
C310026000-4&6mm<sup>2</sup> wire  
C310026002-2.5mm<sup>2</sup> wire

PANEL MOUNTING DIMENSION

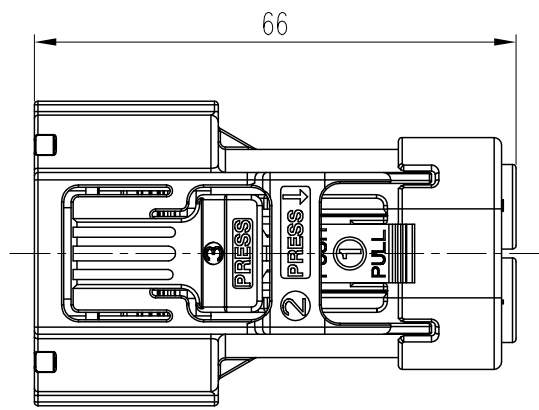
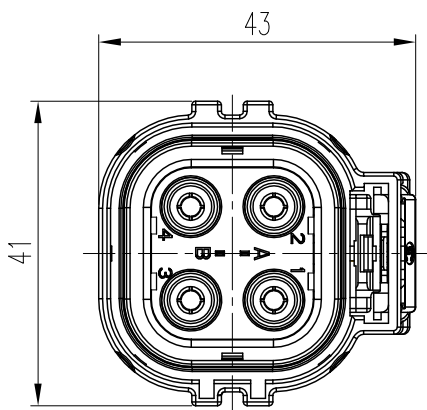


MOUNTING INTERFACE SPECIFICATION  
RECOMMENDED THICKNESS:3.0mm Min

PANEL MOUNTING HOLES POSITIONS

PART NUMBER	INSERT ORIENTATION
HVSL364 024 A	
HVSL364 024 B	
HVSL364 024 C	
HVSL364 024 D	
HVSL364 024 E	

PLUG

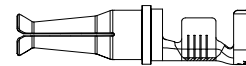


CONTACTS

All connectors do not include contacts. Please order them separately (ref: P/N below)

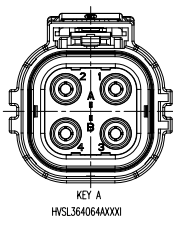
CONTACTS

HVIL contacts	4 to 6mm <sup>2</sup>	2.5mm <sup>2</sup>
Integrated, no need to buy.	P/N: C310026001	P/N: C310026003

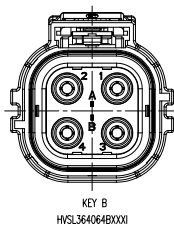


C310026001 – 4&6mm<sup>2</sup> wire  
C310026003 – 2.5mm<sup>2</sup> wire

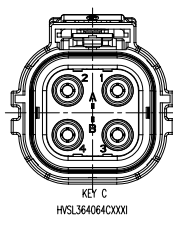
INSERT ORIENTATIONS



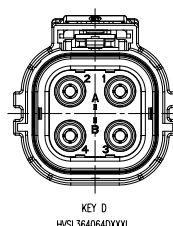
KEY A  
HVSL364064XXXXI



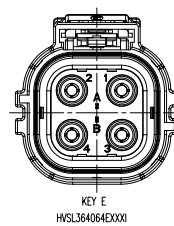
KEY B  
HVSL364064BXXXXI



KEY C  
HVSL364064CXXXXI



KEY D  
HVSL364064DXXXXI



KEY E  
HVSL364064EXXXXI

	Coding A	Coding B	Coding C	Coding D	Coding E
P/N	HVSL364 064 A	HVSL364 064 B	HVSL364 064 C	HVSL364 064 D	HVSL364 064 E



# HOW TO ORDER (HVSL 364)

## HOW TO ORDER: PLUG

	HVSL364	06	4	A	0	03	I
<b>Product type:</b>	<b>06:</b> Straight plug						
<b>Position:</b>	<b>4:</b> 4 position						
<b>Coding / Alternate position:</b>	<b>A:</b> Coding A <b>B:</b> Coding B <b>C:</b> Coding C <b>D:</b> Coding D <b>E:</b> Coding E						
<b>Interlock:</b>	<b>0:</b> Without interlock <b>1:</b> With interlock						
<b>Cable size:</b>	<b>03:</b> 2.5mm <sup>2</sup> <b>04:</b> 4mm <sup>2</sup> <b>06:</b> 6mm <sup>2</sup>						
<b>Wire type:</b>	<b>I:</b> Individually shielded wire						

## HOW TO ORDER: RECEPTACLE

	HVSL364	02	4	A		
<b>Product type:</b>	<b>02:</b> Box mounted receptacle					
<b>Position:</b>	<b>4:</b> 4 positions					
<b>Coding / Alternate position:</b>	<b>A:</b> Coding A <b>B:</b> Coding B <b>C:</b> Coding C <b>D:</b> Coding D <b>E:</b> Coding E					

## ExcelMate PT (HVPT - PASS-THROUGH WITH CABLE GLAND)



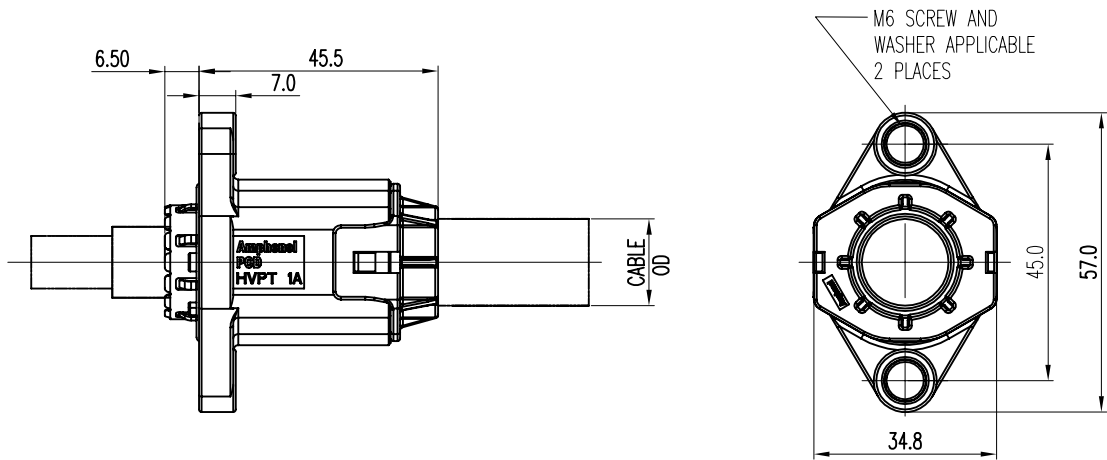
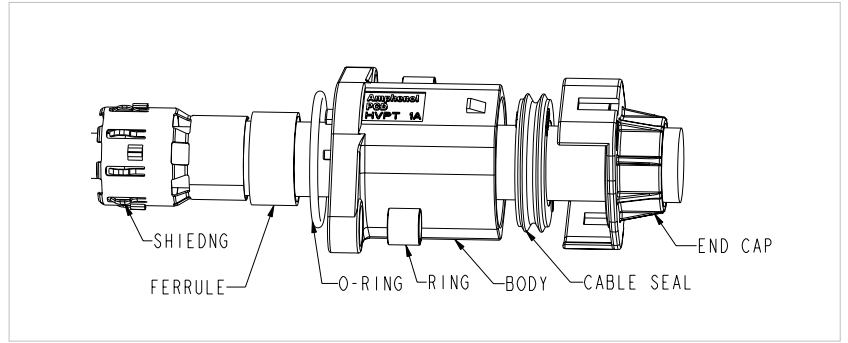
MECHANICAL	
Wire range	25 to 70 mm <sup>2</sup> shielded wires
Connection type	Crimping
ELECTRICAL	
Rated voltage	1000V DC
Dielectric withstand voltage	3000V AC
Shielding	360° from wire to device
ENVIRONMENTAL	
Sealing	IP67, IP6K9K (mated)
Temperature range	-40°C to 125°C
MATERIAL	
Housing	PA66 + GF

### KEY FEATURES

- 1 to 3 positions available
- Light in weight with plastic shell
- Easy to install, reliable connection
- Sealing, IP67 (mated), IP6K9K
- Multiple coding positions
- 360° shielded from wire to device
- Economical

# Excel|Mate PT (HVPT)

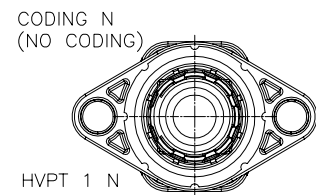
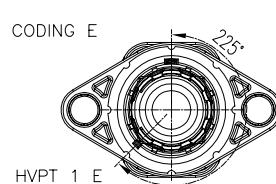
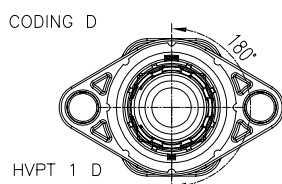
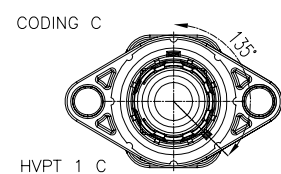
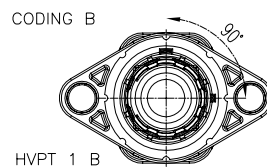
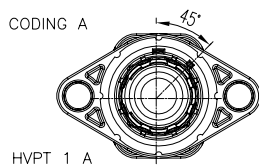
## 1 POSITION PASS-THROUGH



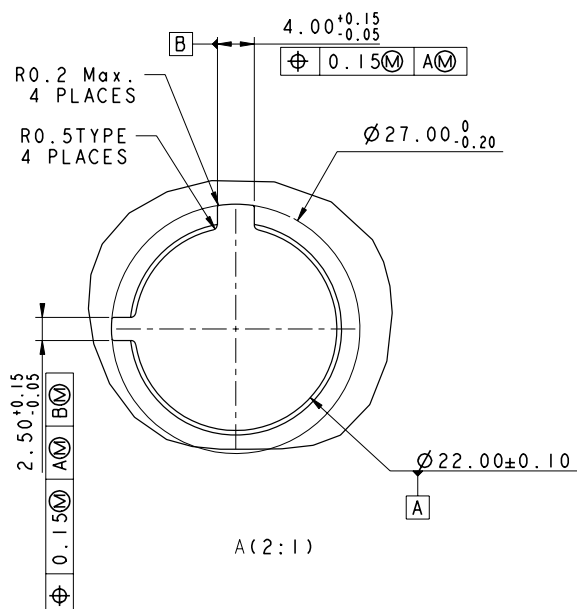
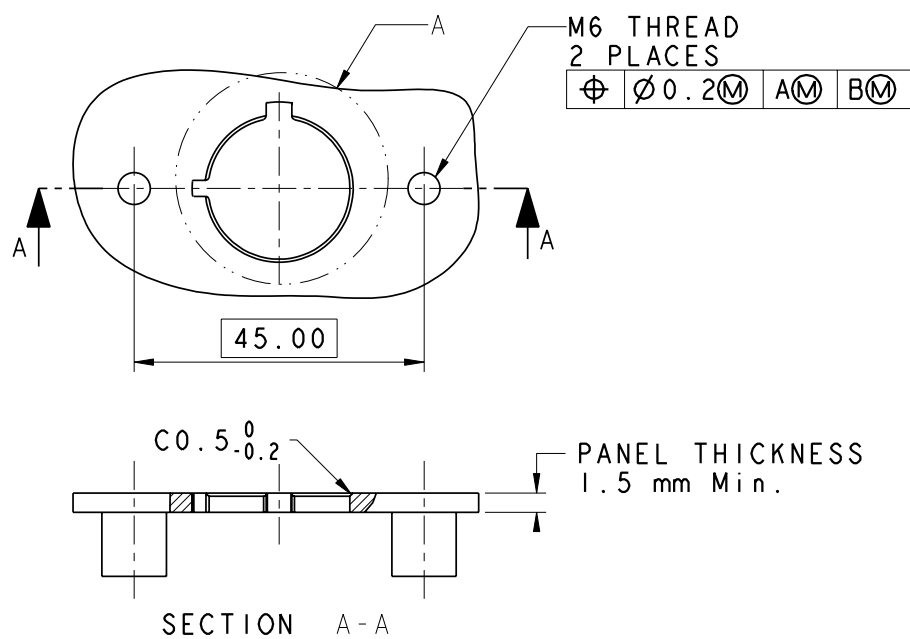
## CONTACTS

Part number	Conductor cross section (mm <sup>2</sup> )	Cable OD
HVPT 1 X 70	70	19.0±0.3
HVPT 1 X 50	50	16.5±0.3
HVPT 1 X 35	35	14.2±0.3
HVPT 1 X 25	25	11.9±0.3

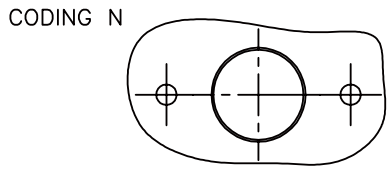
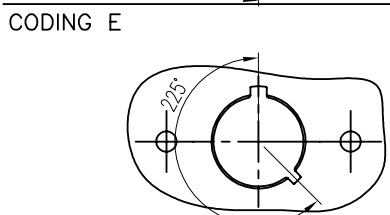
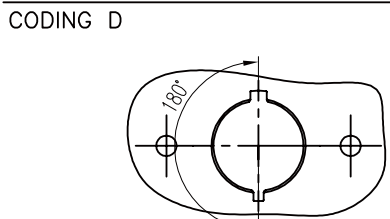
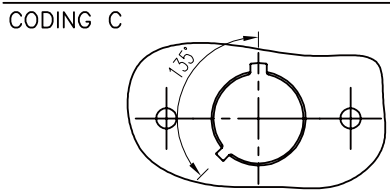
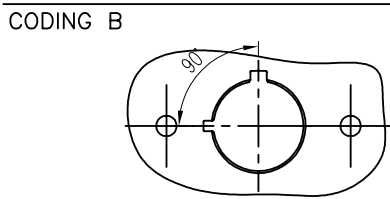
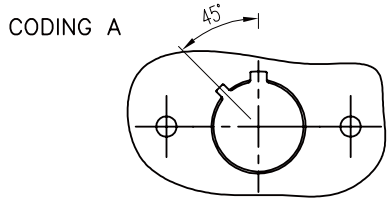
## INSERT ORIENTATIONS



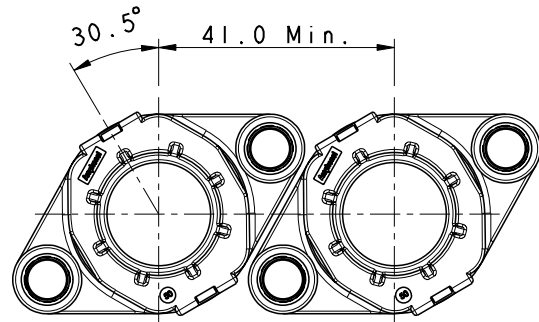
PANEL MOUNTING DIMENSIONS



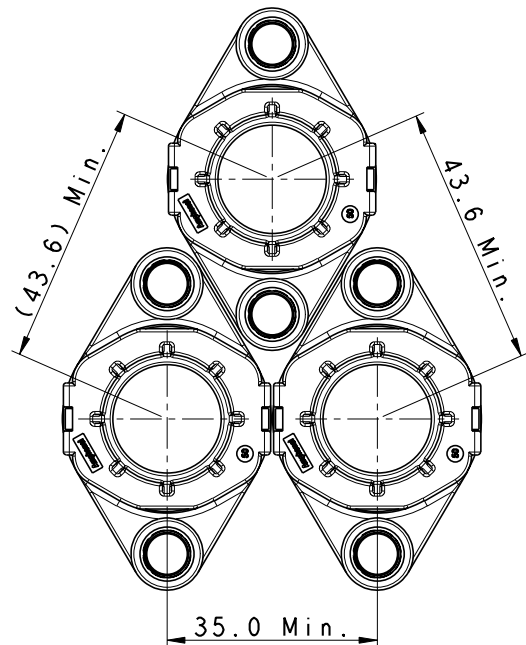
PANEL MOUNTING DIMENSIONS



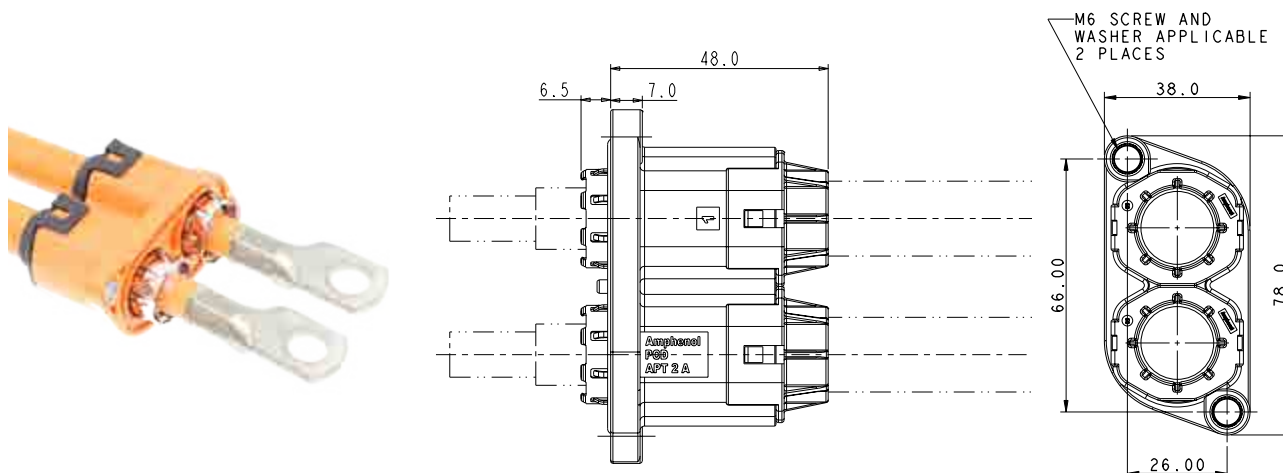
RECOMMENDED LAYOUT FOR 2 UNITS



RECOMMENDED LAYOUT FOR 3 UNITS



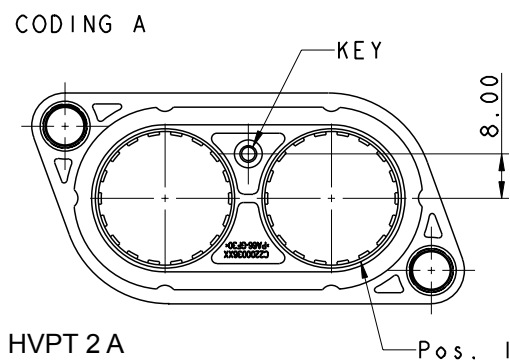
## 2 POSITION PASS-THROUGH



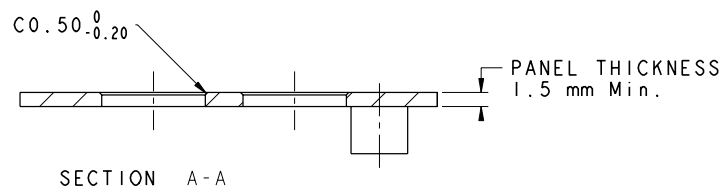
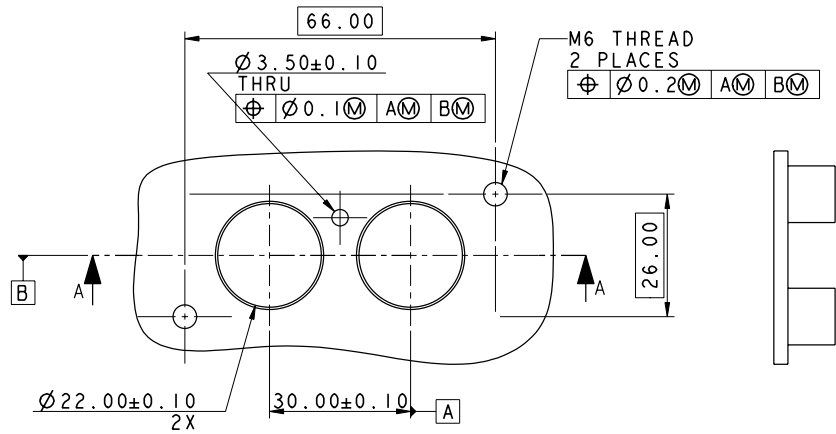
## CONTACTS

Part number	Conductor cross section (mm <sup>2</sup> )	Cable OD
HVPT 2 X 70	70	19.0±0.3
HVPT 2 X 50	50	16.5±0.3
HVPT 2 X 35	35	14.2±0.3
HVPT 2 X 25	25	11.9±0.3

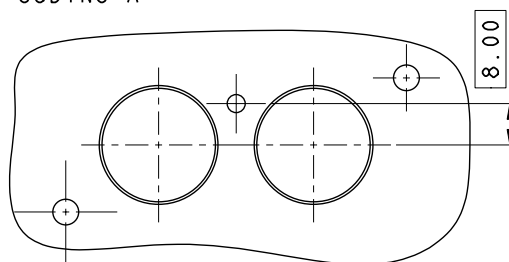
## INSERT ORIENTATIONS



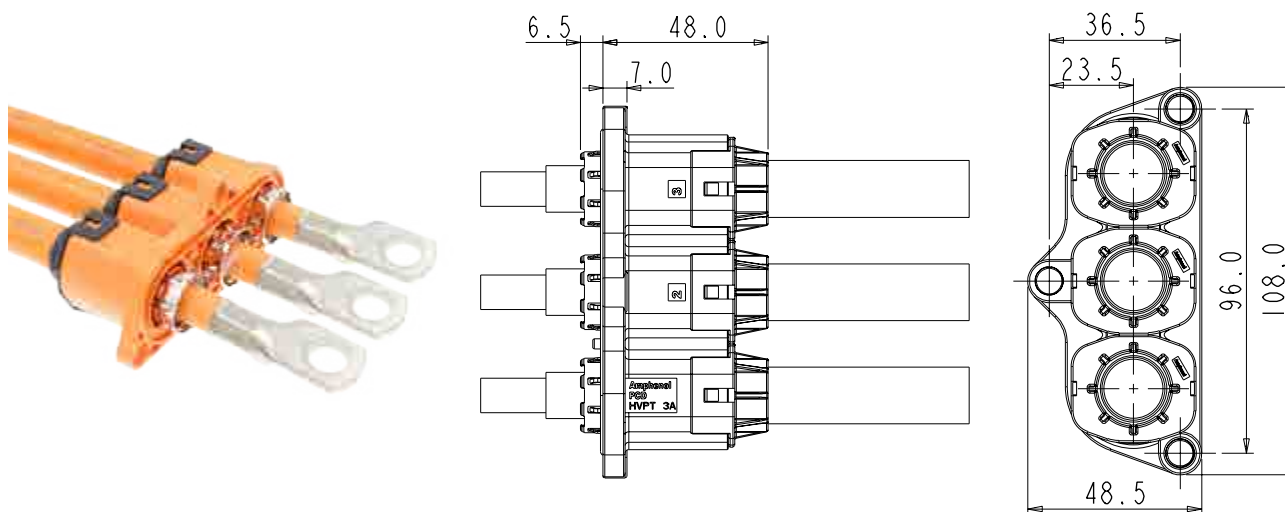
PANEL MOUNTING DIMENSIONS



CODING A



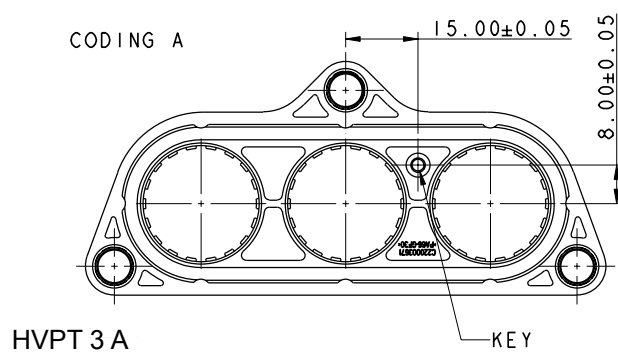
## 3 POSITION PASS-THROUGH



## CONTACTS

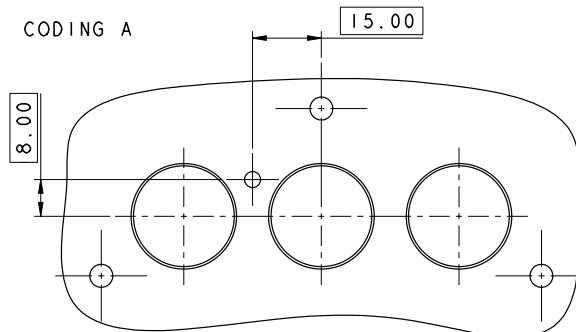
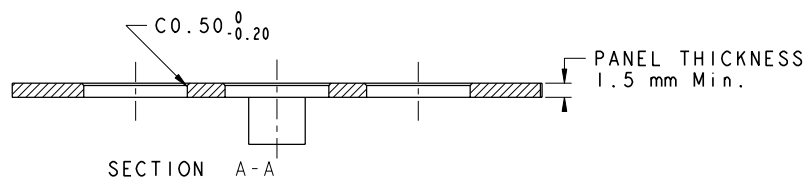
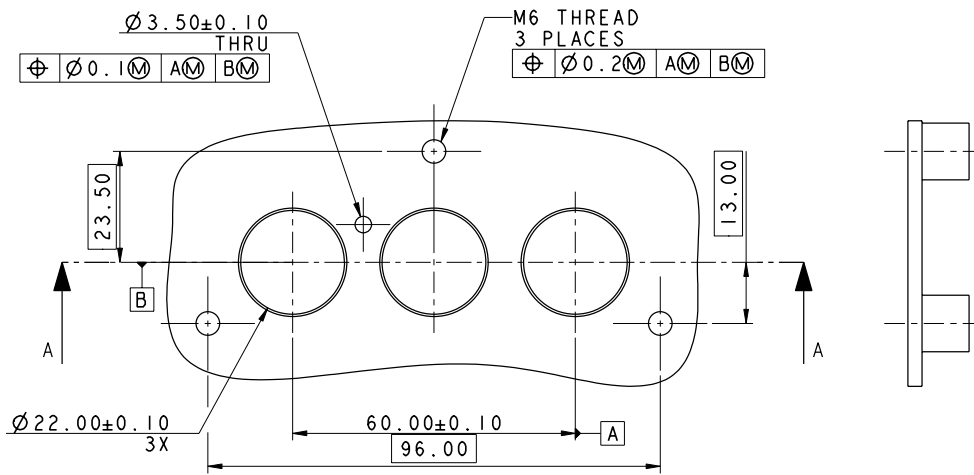
Part number	Conductor cross section (mm <sup>2</sup> )	Cable OD
HVPT 3 X 70	70	19.0±0.3
HVPT 3 X 50	50	16.5±0.3
HVPT 3 X 35	35	14.2±0.3
HVPT 3 X 25	25	11.9±0.3

## INSERT ORIENTATIONS





PANEL MOUNTING DIMENSIONS



## HVPT B PASS-THROUGH

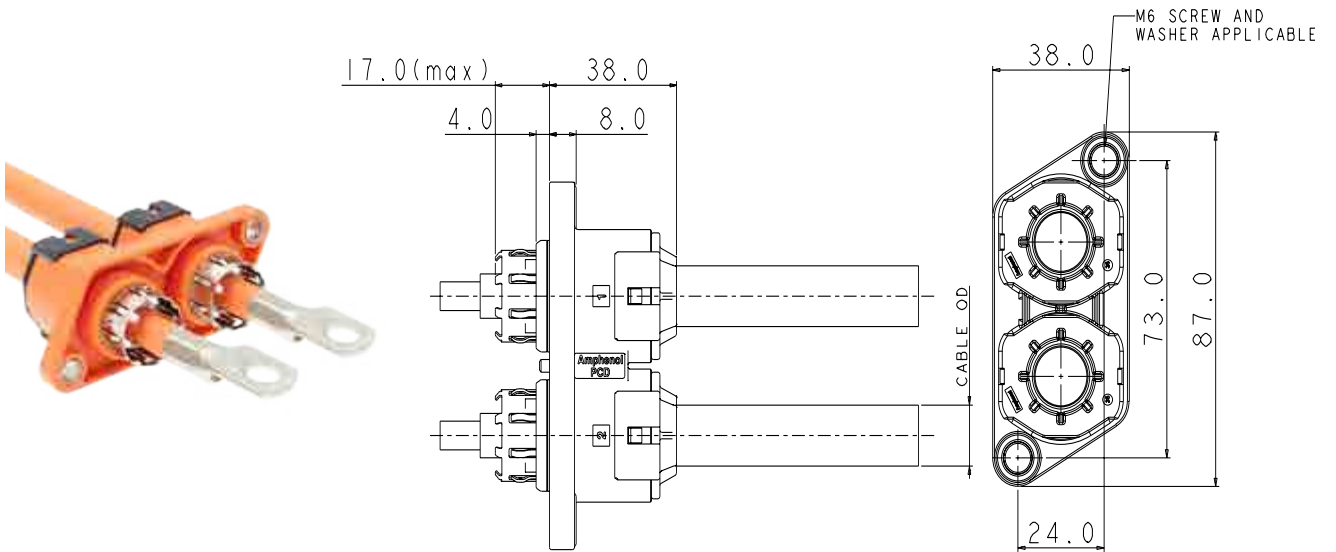


MECHANICAL	
Wire range	25 to 70 mm <sup>2</sup> shielded wires
Connection type	Crimping
ELECTRICAL	
Rated voltage	1000V DC
Dielectric withstand voltage	3000V AC
Shielding	360° from wire to device
ENVIRONMENTAL	
Sealing	IP67, IP6K9K (mated)
Temperature range	-40°C to 125°C
MATERIAL	
Housing	PA66 + GF

### KEY FEATURES

- 2 & 3 positions available
- Light in weight with plastic shell
- Easy to install, reliable connection
- Sealing, IP67 (mated), IP6K9K
- Multiple coding positions
- 360° shielded from wire to device
- Economical

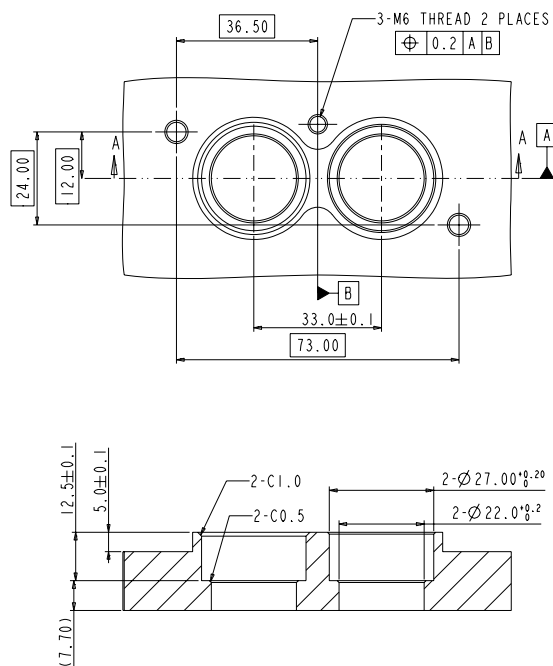
## HVPTB 2 POSITION PASS-THROUGH



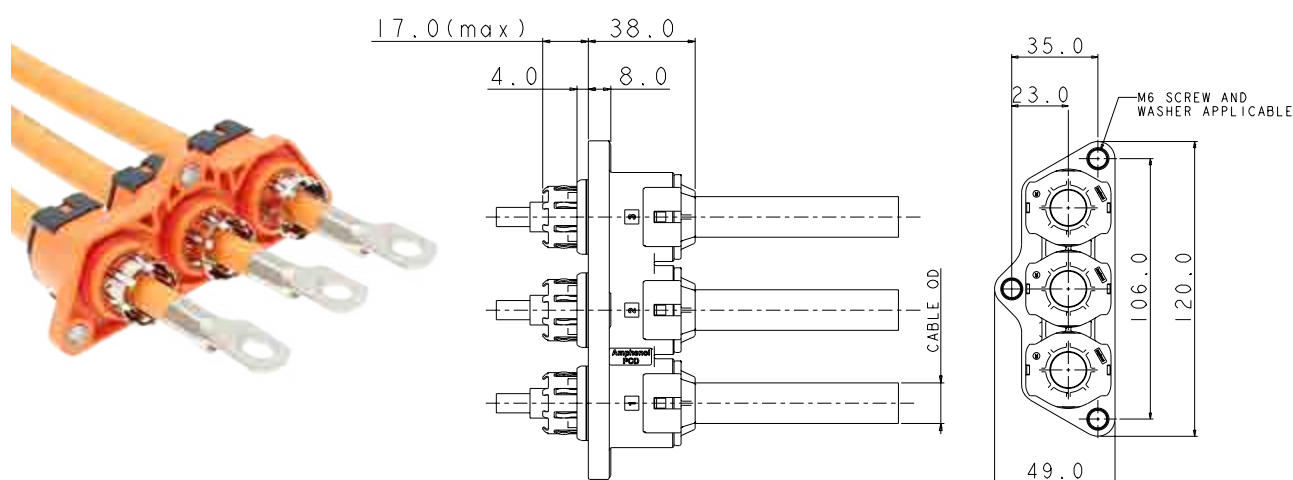
### PART NUMBER

Part number	Conductor cross section (mm <sup>2</sup> )	Cable OD
HVPTB 2 B 70	70	19.0±0.3
HVPTB 2 B 50	50	16.5±0.3
HVPTB 2 B 35	35	14.2±0.3
HVPTB 2 B 25	25	11.9±0.3

### PANEL MOUNTING DIMENSIONS



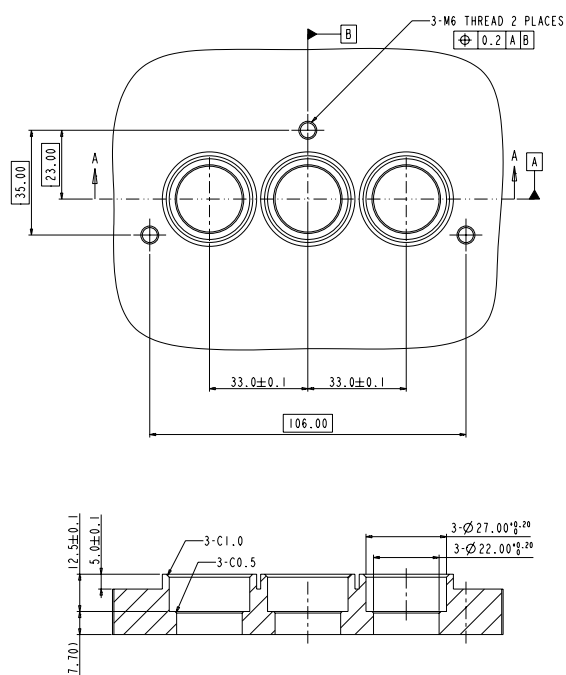
## HVPTB 3 POSITION PASS-THROUGH



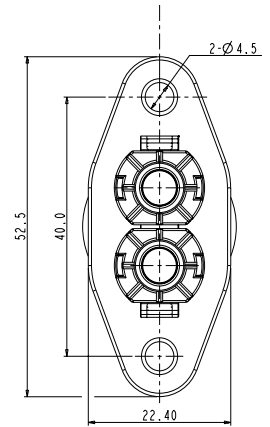
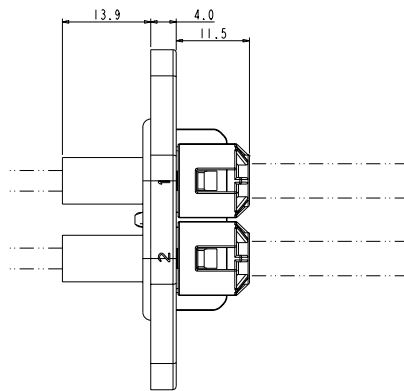
## PART NUMBER

Part number	Conductor cross section (mm <sup>2</sup> )	Cable OD
HVPTB 3 N 70	70	19.0±0.3
HVPTB 3 N 50	50	16.5±0.3
HVPTB 3 N 35	35	14.2±0.3
HVPTB 3 N 25	25	11.9±0.3

## PANEL MOUNTING DIMENSIONS



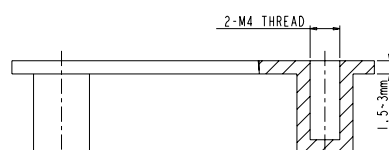
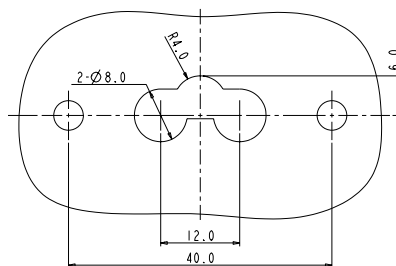
HVPTB 2A POSITION PASS-THROUGH



PART NUMBER

Part number	Conductor cross section (mm <sup>2</sup> )	Cable OD (mm)
HVPTB 2 A 03	2.5 / 3.0	5.2 ± 0.2

PANEL MOUNTING DIMENSIONS



## HVPC PASS-THROUGH



MECHANICAL	
Wire range	35 to 50mm <sup>2</sup> shielded wires
Connection type	Crimping
ELECTRICAL	
Rated voltage	1000V DC
Dielectric withstand voltage	3000V AC
Shielding	360° from wire to device
ENVIRONMENTAL	
Sealing	IP67, IP6K9K (mated)
Temperature range	-40°C to 125°C
Salt spray	96 hours
MATERIAL	
Housing	Metal

### KEY FEATURES

Easy to install, reliable connection

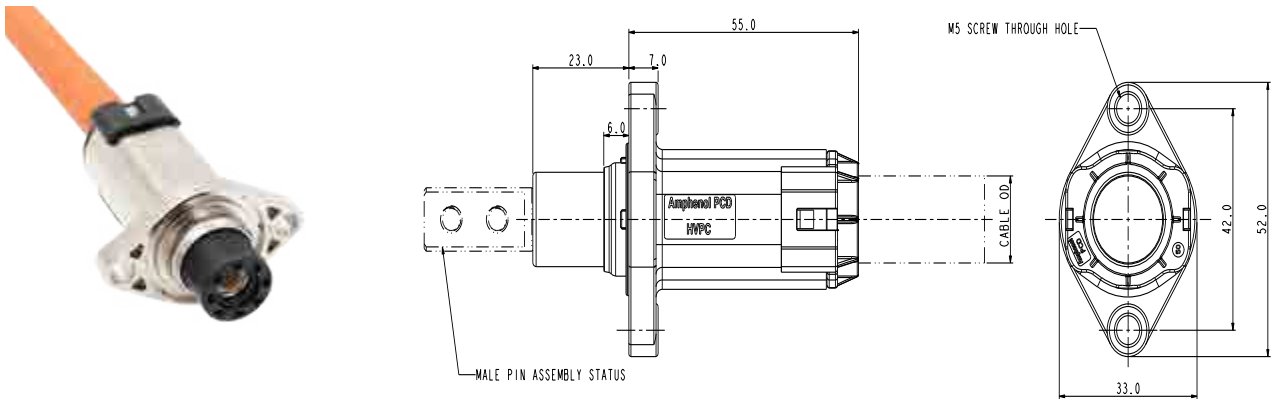
Sealing, IP67 (mated), IP6K9K

Multiple coding positions

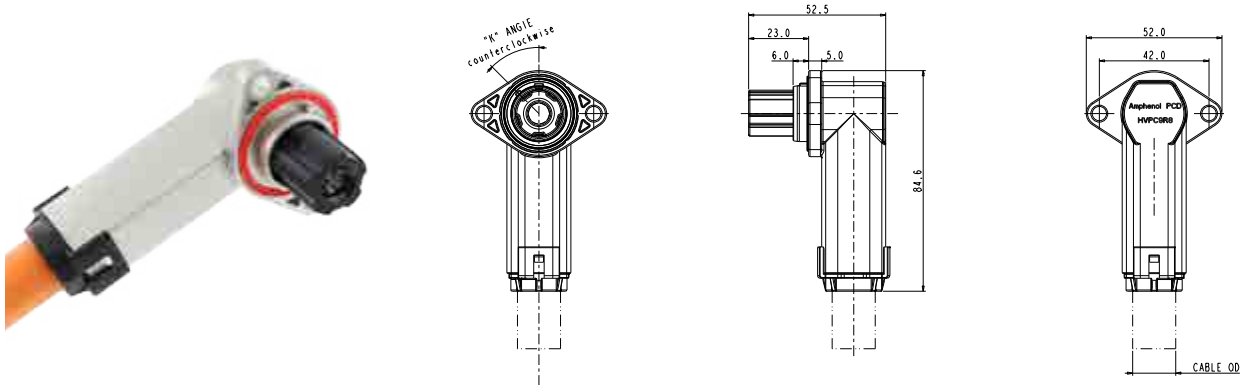
360° shielded from wire to device

Economical

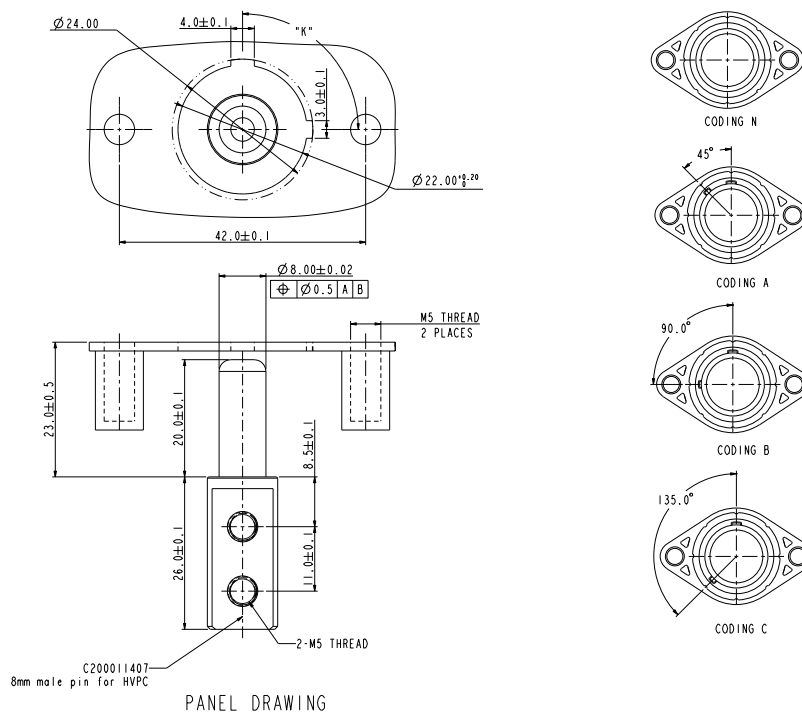
## HVPC 1 POSITION PASS-THROUGH



## HVPC 1 POSITION RIGHT-ANGLE



## PANEL MOUNTING DIMENSIONS



PANEL DRAWING

## HOW TO ORDER

	HVPC	7	R8	1	A	35
<b>Product type:</b>						
<b>7:</b> Straight						
<b>9:</b> Right angle						
<b>Insert size:</b>						
<b>R8:</b> 8mm pin contact						
<b>Position:</b>						
<b>1:</b> 1 position						
<b>Coding:</b>						
<b>A:</b> Coding A						
<b>B:</b> Coding B						
<b>C:</b> Coding C						
<b>D:</b> Coding D (Right-Angle only)						
<b>E:</b> Coding E (Right-Angle only)						
<b>N:</b> Coding N (Straight only)						
<b>Wire type:</b>						
<b>35:</b> 35mm <sup>2</sup> shielded wire						
<b>50:</b> 50mm <sup>2</sup> shielded wire						



# Excel|Mate PT (HVPC 800)

## HVPC 800



MECHANICAL	
Wire range	35 to 50mm <sup>2</sup> shielded wires
Connection type	Crimping
ELECTRICAL	
Rated voltage	1000V DC
Dielectric withstand voltage	3000V AC
Shielding	360° from wire to device
ENVIRONMENTAL	
Sealing	IP67, IP6K9K (mated)
Temperature range	-40°C to 125°C
Salt spray	96 hours
MATERIAL	
Housing	Metal

### KEY FEATURES

Easy to install, reliable connection

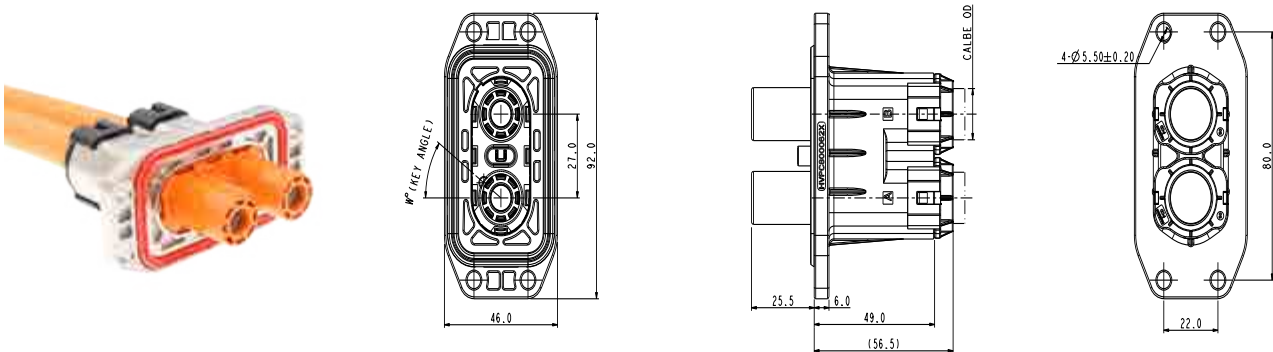
Sealing, IP67 (mated), IP6K9K

Multiple coding positions

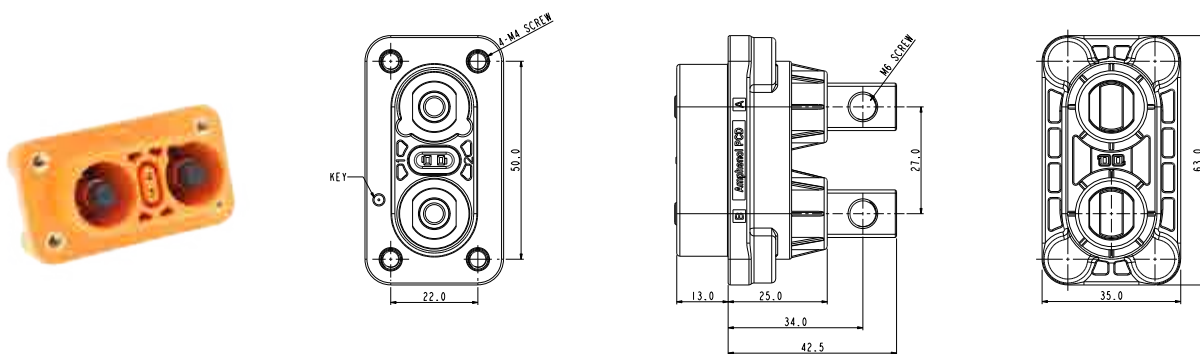
360° shielded from wire to device

Economical

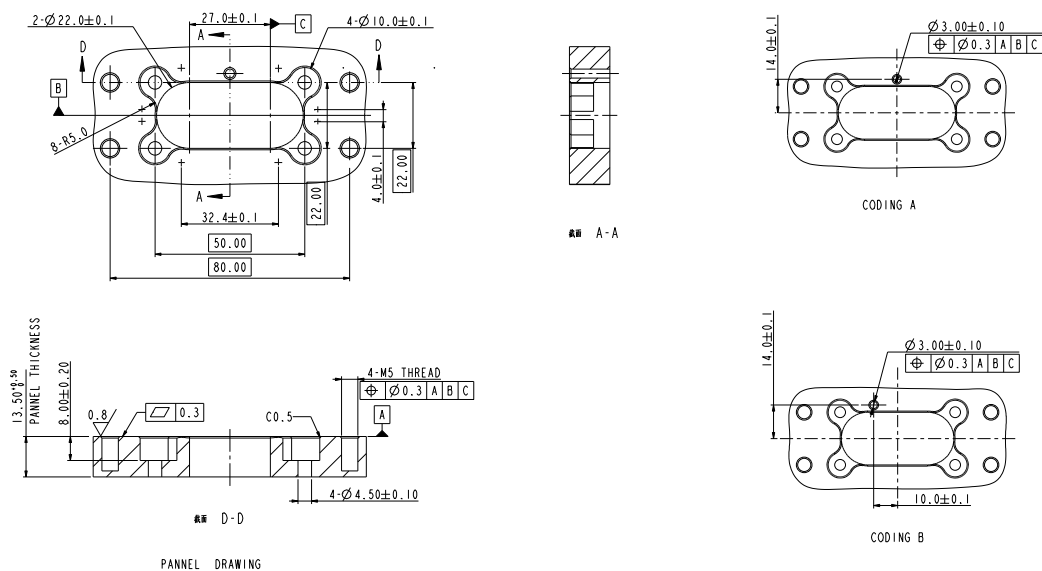
## HVPC 800 PLUG



## HVPC 800 RECEPTACLE



## PANEL MOUNTING DIMENSIONS



# HOW TO ORDER (HVPC 800)

## HOW TO ORDER

	HVPC 800	02	2	A	1	35
<b>Product type:</b>						
<b>02:</b> Receptacle						
<b>06:</b> Plug						
<b>Position:</b>						
<b>2:</b> 2 positions						
<b>Coding:</b>						
<b>A:</b> Coding A						
<b>B:</b> Coding B						
<b>HVIL:</b>						
<b>0:</b> Without HVIL						
<b>1:</b> With HVIL						
<b>Wire type:</b>						
<b>35:</b> 35mm <sup>2</sup> shielded wire						
<b>50:</b> 50mm <sup>2</sup> shielded wire						

Amphenol PCD Shenzhen

Building 21  
1st Liao Keng Industrial Zone  
Shi Yan Street, Bao An District Shenzhen 518108  
China

Tel.: +86 755-8173-8000  
Fax: +86 755-8173-8180  
Email: [inquiry@amphenolpcd.com.cn](mailto:inquiry@amphenolpcd.com.cn)

[www.amphenolpcd.com.cn](http://www.amphenolpcd.com.cn)

Notes:

Amphenol PCD Shenzhen has made every effort to ensure that the information contained in this catalog is accurate at the time of publication. Specifications or information stated in this publication are subject to change without notice.

Amphenol PCD Shenzhen reserves the right to clarify this catalog.

## X-ON Electronics

Largest Supplier of Electrical and Electronic Components

*Click to view similar products for [Automotive Connectors](#) category:*

*Click to view products by [Amphenol](#) manufacturer:*

Other Similar products are found below :

[003-018-000](#) [60403001](#) [60993906-B](#) [M902-2131](#) [M902-2161](#) [72.330.1035.1](#) [73.353.4028.0](#) [F119300-B](#) [F166900](#) [F258300-B](#) [F358300-B](#)  
[F407400](#) [F444110](#) [F487000](#) [F509500B-B](#) [827153-1](#) [8N1515-32-24P](#) [9-1326729-8](#) [925474-1](#) [928905-1](#) [964562-4](#) [968782-1](#) [GT17SA-8DS-](#)  
[HU](#) [98891-1012](#) [98947-1016](#) [12004475-L](#) [12010290](#) [12010309-B](#) [12015454](#) [12020219-B](#) [12020308](#) [12041318-B](#) [12052225-L](#) [12052466](#)  
[12059125](#) [12064869](#) [12004327-B](#) [12010503-B](#) [12015308](#) [12015384](#) [12015909](#) [1-21030-1](#) [12041254](#) [12041318](#) [12047946-B](#) [12047957](#)  
[12047957-L](#) [12059473](#) [12066261](#) [12110546](#)