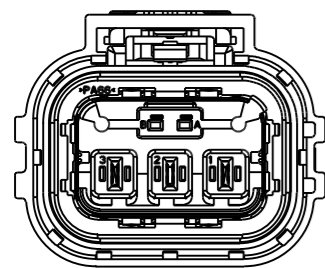
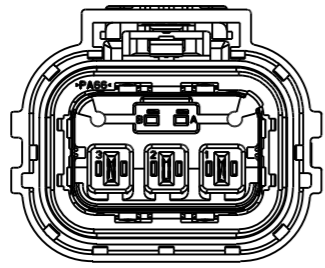


| REV | ECN | DESCRIPTION | DATE | MODIFIED |
|-----|-----|-------------|------------|----------|
| A | | PRE-RELEASE | 2016.10.10 | JASON.C |
| B | | UPDATED | 2017.11.17 | CELINE.X |
| C | | ADD BOM | 2018.05.21 | CELINE.X |

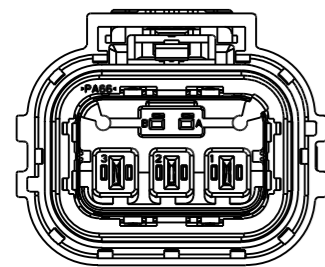
Amphenol PCDSZ
ORIGINAL
PDF Format
R&D



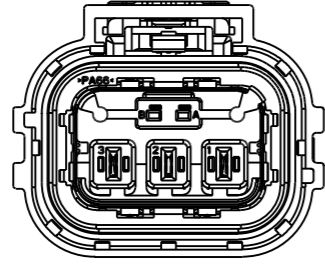
KEY A
HVSL280 06 3 A X XX XX



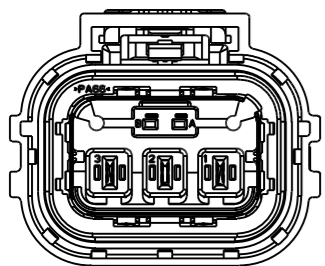
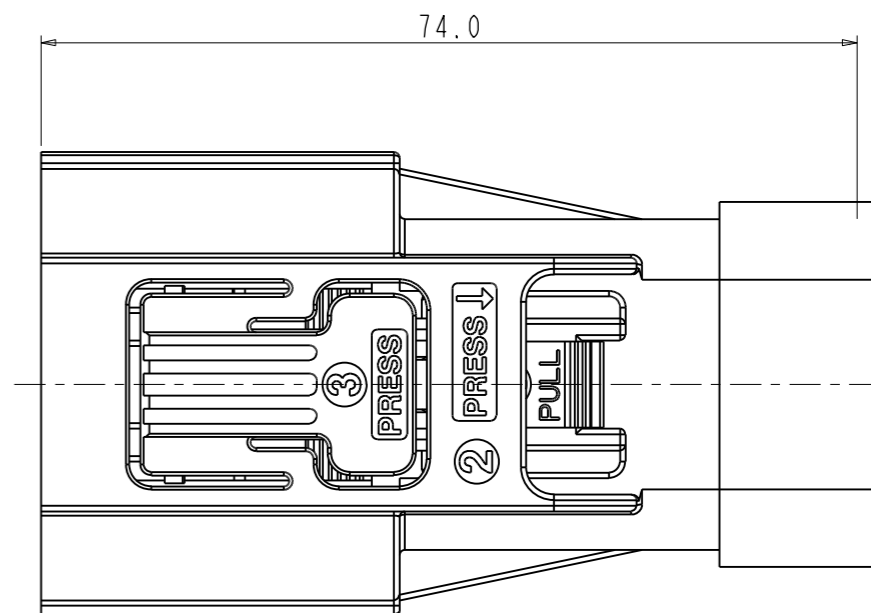
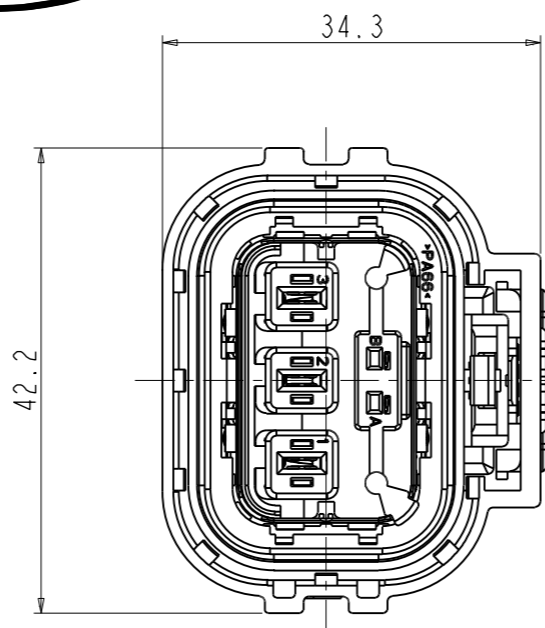
KEY D
HVSL280 06 3 D X XX XX



KEY B
HVSL280 06 3 B X XX XX



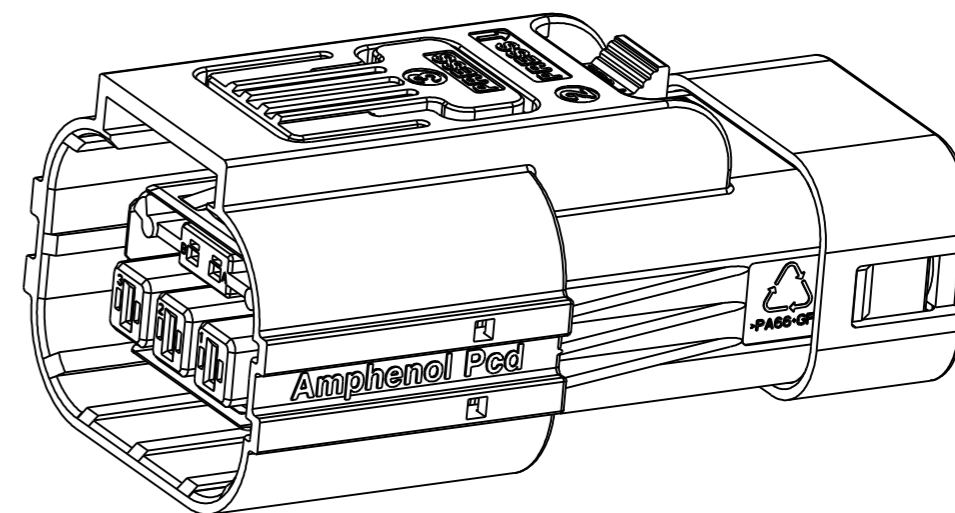
KEY E
HVSL280 06 3 E X XX XX



KEY C
HVSL280 06 3 C X XX XX

3. TECHNICAL DATA TABLE

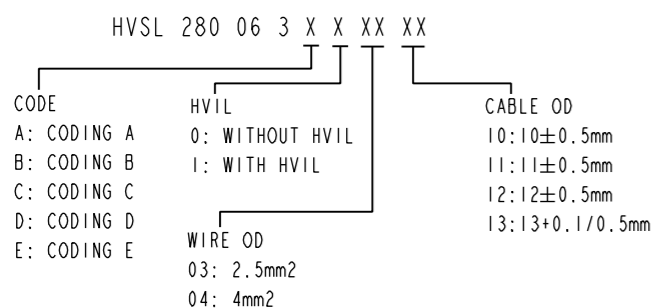
| TECHNICAL DATA | | |
|--|--|---|
| CURRENT RATE (2.5-4MM ² SHIELD CABLE) | 15A(2.5mm ² CABLE) 23A(4mm ² CABLE) | ★ |
| UL RATING VOLTAGE (OVERVOLTAGE CATEGORY II POLLUTION DEGREE 2) | 800V DC | ★ |
| OPERATING TEMPERATURE | -40~125°C | |
| DIELECTRIC WITH STANDING VOLTAGE | 3000V AC | ★ |
| INSULATION RESISTANCE | 2000MΩ MIN | ★ |
| DURABILITY | 50 CYCLES | ◎ |
| SHIELDING | YES | ◎ |
| WATERPROOF(MATED CONDITION) | IP 67, IP6K9K | ★ |
| PROTECTION LEVEL | IP2XB | ★ |
| AMBIENT TEMPERATURE | -40~70°C | |



NOTES:

- MATERIAL & FINISH:
PLASTIC BODY: THERMOPLASTICS UL 94V-0 ORANGE COLOR
CONTACTS: COPPER ALLOY SILVER PLATED
SHIELD: COPPER ALLOY
SEAL: SILICONE

2. PART NUMBER DESCRIPTION:

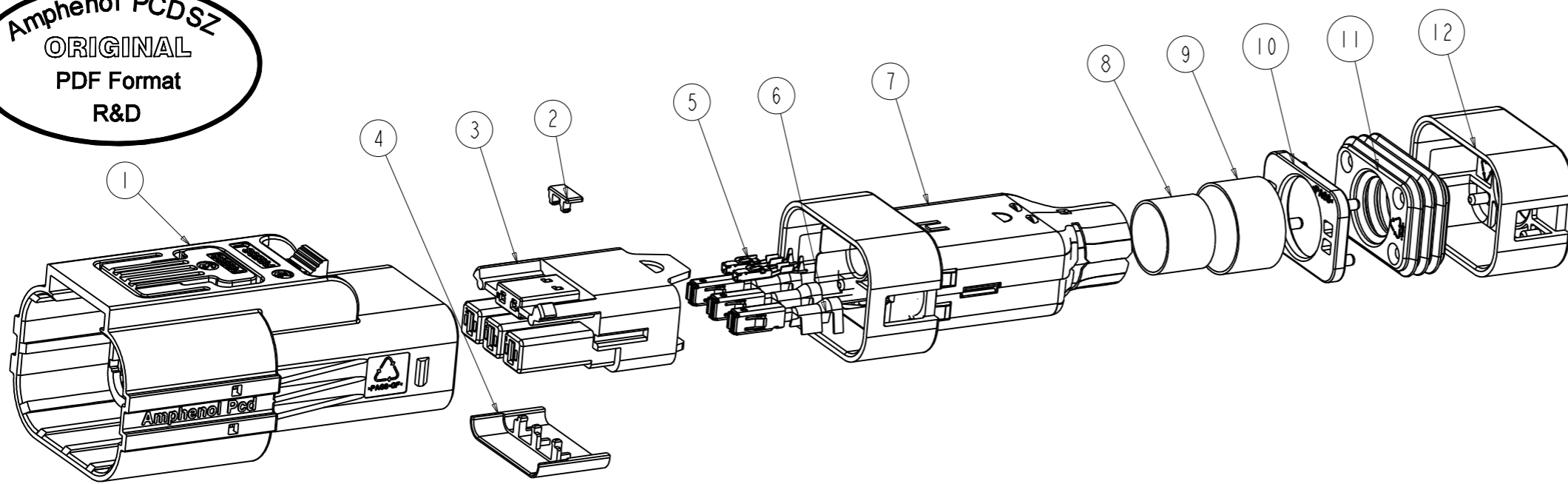


| DIMENSIONS | TOLERANCES | PROJECTION | TITLE | | |
|---|--|--|-----------------------|--------------------|--------------|
| ANSI Y14.5M UNITS: MM Pro/E FILE | X ±0.5 .XX ±0.05 ANGLES ±0.5° | | Amphenol Pcd Shenzhen | | |
| ORIGINAL NOT FOR CUSTOMER DISTRIBUTION | THIS DOCUMENT CONTAINS PROPRIETARY INFORMATION WHICH IS THE CONFIDENTIAL PROPERTY OF AMPHENOL PCD SHENZHEN | ENGR JASON.C Aug-21-13 CHKD APPD | SIZE | DWG NO. | REV |
| | | | A3 | C-HVSL280063XXXXXX | C |
| | | | CODE: 58982 | SCALE: 3:2 | SHEET 1 OF 2 |

C-HVSL280063XXXXXX

C-HVSL280063XXXXXX

Amphenol PCDSZ
ORIGINAL
PDF Format
R&D



4. ASSEMBLY AND DETAIL BOM LIST SHOW

| ASSEMBLY P/N | ITEM | COMPONENT P/N | DESCRIPTION | Q'TY |
|-------------------------|-------------|-------------------|--|------|
| HVSL 280 06 3 X X XX XX | 12 | C422003620 | END CAP | 1 |
| | 11 | C427003607X | SEAL | 1 |
| | 10 | C422003622 | SPACER | 1 |
| | 9 | P03BM00042 | OUTER FERRULE(CABLE DIAMETER:13) | 1 |
| | | C421003602 | OUTER FERRULE(CABLE DIAMETER:10/11/12) | 1 |
| | 8 | P03BM00041 | INNER FERRULE(CABLE DIAMETER:13) | 1 |
| | | C421003601 | INNER FERRULE(CABLE DIAMETER:10/11/12) | 1 |
| | 7 | C431003609 | SHIED | 2 |
| | 6 | C431003612 | MAIN CONTACT | 3 |
| | 5 | C431003614 | HVIL CONTACT | 2 |
| | 4 | C422003626 | TPA | 1 |
| | 3 | C4220003625 | INNER PLUG HOUSING | 1 |
| 2 | C422003627 | TPA | 1 | |
| 1 | HVSL280063X | PLUG(X=A,B,C,D,E) | 1 | |

5

| DESCRIPTION | PART NUMBER | DIM"D1"(mm) |
|--------------|-------------|-------------|
| HVIL CONTACT | C431003614 | 15~16.5 |

6

| DESCRIPTION | PART NUMBER | DIM"D1"(mm) |
|--------------|-------------|-------------|
| MAIN CONTACT | C431003612 | 21.8~23.2 |

12

| DESCRIPTION | PART NUMBER | DIM"D1"(mm) |
|-------------|-------------|-------------|
| END CAP | C422003620 | 13±0.1 |

11

| DESCRIPTION | PART NUMBER | DIM"D1" | ADAPTED(OD) |
|-------------|-------------|----------|----------------|
| SEAL | C427003607 | 10.9±0.3 | ∅12,13mm CABLE |
| | C4270036071 | 9.9±0.3 | ∅11mm CABLE |
| | C4270036072 | 8.9±0.3 | ∅10mm CABLE |

8

| DESCRIPTION | PART NUMBER | DIM"D1" | DIM"D2" |
|-----------------------------------|-------------|----------|----------|
| INNER FERRULE(CABLE DIM:10/11/12) | C421003601 | 12.6±0.1 | 13.6±0.1 |
| INNER FERRULE(CABLE DIM:13) | P03BM00041 | 13.5±0.1 | 14.5±0.1 |

9

| DESCRIPTION | PART NUMBER | DIM"D1" | DIM"D2" |
|-----------------------------------|-------------|----------|----------|
| OUTER FERRULE(CABLE DIM:10/11/12) | C421003602 | 16.0±0.1 | 17.0±0.1 |
| OUTER FERRULE(CABLE DIM:13) | P03BM00042 | 17.0±0.1 | 18.0±0.1 |

C-HVSL280063XXXXXX

C-HVSL280063XXXXXX

X-ON Electronics

Largest Supplier of Electrical and Electronic Components

Click to view similar products for [Automotive Connectors](#) category:

Click to view products by [Amphenol](#) manufacturer:

Other Similar products are found below :

[003-018-000](#) [60993906-B](#) [72.330.1035.1](#) [776880-1](#) [827153-1](#) [9-1326729-8](#) [9-221607-5](#) [925474-1](#) [928905-1](#) [964562-4](#) [968782-1](#) [98891-1012](#) [12004468](#) [12004475-L](#) [12004483](#) [12052466](#) [12066163](#) [12015909](#) [12077753](#) [1-21030-1](#) [12047957](#) [12047958](#) [12084688](#) [12185550](#) [12336-12](#) [1-326211-1](#) [13681974](#) [13688972](#) [13755420](#) [13779834](#) [13783086](#) [13843152](#) [13522378](#) [13581967](#) [13669624](#) [13675513](#) [13753471](#) [13946876](#) [13953457](#) [13955963](#) [13964573](#) [13971791](#) [13790534-L](#) [13797473](#) [13805590](#) [13888202](#) [1428188-1](#) [1437287-3](#) [1428188-2](#) [DS07-19S-5020](#)