



AMPHENOL PCD SHENZHEN



# EXCEL | MATE

## High Voltage Safety Lock

[www.amphenolpcd.com.cn](http://www.amphenolpcd.com.cn)

INDUSTRIAL@AMPHENOL  
TRUSTED GLOBALLY

<b>EXCEL MATE PRODUCT INTRODUCTION</b> .....	2	<b>Excel Mate Eco (HVSL600/630/633/280/282)</b>	
<b>EXCEL MATE PLUS</b> .....	3	<b>HVSL600</b> .....	35
1 PIN RECEPTACLE .....	4	RECEPTACLE .....	36
1 PIN PLUG .....	6	PLUG .....	38
1 PIN RECEPTACLE WITHOUT INTER-LOCK .....	7	<b>HVSL630</b> .....	39
1 PIN PLUG RIGHT ANGLE .....	8	RECEPTACLE .....	40
2 PIN RECEPTACLE BOX MOUNTED .....	9	PLUG .....	42
2 PIN PLUG .....	11	<b>HVSL633</b> .....	43
3 PIN RECEPTACLE BOX MOUNTED .....	13	RECEPTACLE .....	44
3 PIN PLUG .....	14	PLUG .....	46
ATTACHMENT .....	16	<b>HVSL280</b> .....	49
PRODUCT SERIES OVERVIEW .....	18	RECEPTACLE .....	50
<b>HOW TO ORDER: HVSL1000</b> .....	19	PLUG .....	52
<b>EXCEL MATE S</b> .....	20	<b>HVSL282</b> .....	53
RECEPTACLE .....	21	RECEPTACLE .....	54
STRAIGHT PLUG .....	22	PLUG .....	57
RIGHT ANGLE PLUG .....	23	ATTACHMENT: CONTACTS .....	58
<b>HOW TO ORDER: HVSL800</b> .....	24	<b>HOW TO ORDER: HVSL600 / 630 / 633 / 280 / 282</b> .....	59
<b>EXCEL MATE METAL</b> .....	25	<b>Excel Mate PT</b> .....	60
RECEPTACLE .....	26	1 POSITION .....	61
STRAIGHT PLUG .....	27	2 POSITION .....	64
RIGHT ANGLE PLUG .....	28	3 POSITION .....	66
<b>HOW TO ORDER: HVSL600</b> .....	29	<b>HVPT B</b> .....	68
<b>HVSL800</b> .....	30	2 POSITION .....	69
RECEPTACLE .....	31	3 POSITION .....	70
STRAIGHT PLUG .....	32	<b>HVPT B 2A</b> .....	71
RIGHT ANGLE PLUG .....	33	<b>DERATING CURVE</b> .....	72
<b>HOW TO ORDER: HVSL800</b> .....	34		

# PRODUCT INTRODUCTION



When high-performance and increased safety are required in xEV, Amphenol PCD's **Excel|Mate** connectors fulfil the challenge.

HVSL Series is designed to meet AK standards for various xEV applications, including power and signal interconnect solutions. Different versions are available, from 1 position to 3 positions and a rated current from 23A to 250A.

Product	HVSL1000	HVSL800	HVSL800	HVSL600	HVSL600	HVSL630	HVSL633	HVSL280	HVSL282
Position	1, 2, 3	2	2	2	1	2	3	3	2
Rated Voltage	1000V	1000V	1000V	1000V	800V	800V	800V	800V	800V
Rated Current	250A	180A	180A	120A	120A	40A	40A	23A	23A
HVIL	√	√	√	√	√	√	√	√	√
Shielding	√	√	√	√	√	√	√	√	√
Shell	Plastic	Plastic	Metal	Metal	Plastic	Plastic	Plastic	Plastic	Plastic
IP67,IP6K9K	√	√	√	√	√	√	√	√	√
Touch-Proof IP2XB	√	√	√	√	√	√	√	√	√
Cable size mm <sup>2</sup>	25 to 70	35 to 50	35 to 50	16 to 25	25	4 to 6	4 to 6	2.5 to 4	2.5 to 4
Cable type shielded wire	Individually	Individually	Individually	Individually	Individually	multicore	Individually	multicore	Individually

## Excel|Mate Plus



### High Voltage Safety Lock

Excel|Mate Plus offers a max rated voltage up to 1000V and a max rated current of 250A. It can be used for power solutions in various xEV applications.

External HVIL for 1 position and internal HVIL for 2 to 3 positions.

### KEY FEATURES

With Inter-Lock solution

RADSOK® Technology R4 version  
10mm

Shielding performance: EMI/RFI 60DB

AK compliance LV215

Sealing, IP67 (mated), IP6K9K

1 to 3 positions available

Touch-proof, IP2XB

Multiple coding positions

### APPLICATIONS

xEV Battery

Inverters

Junction boxes

Power distribution boxes

### MECHANICAL

Durability  $\geq 50$  mating cycles

Wire range 25 to 70 mm<sup>2</sup>

### ELECTRICAL

Rated voltage 1000V DC

Rated current 250A Max @ ambient  
temperature 70°C

Insulator resistance  $> 200M\Omega$

Dielectric withstand  
voltage 3000V AC

### ENVIRONMENTAL

Sealing IP67, IP6K9K (mated)

Touch-proof IP2XB

Temperature range -40°C to 125°C

Inflammability UL94V0

### STANDARDS

USCAR-2

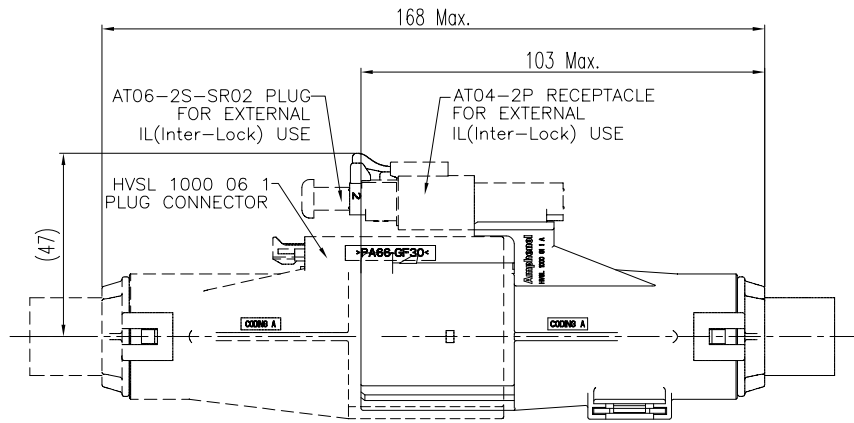
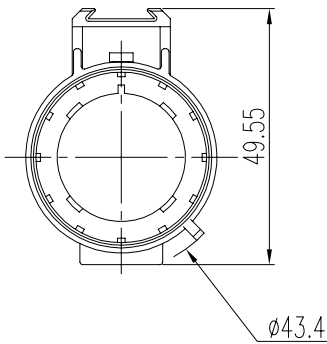
USCAR-37

RoHS

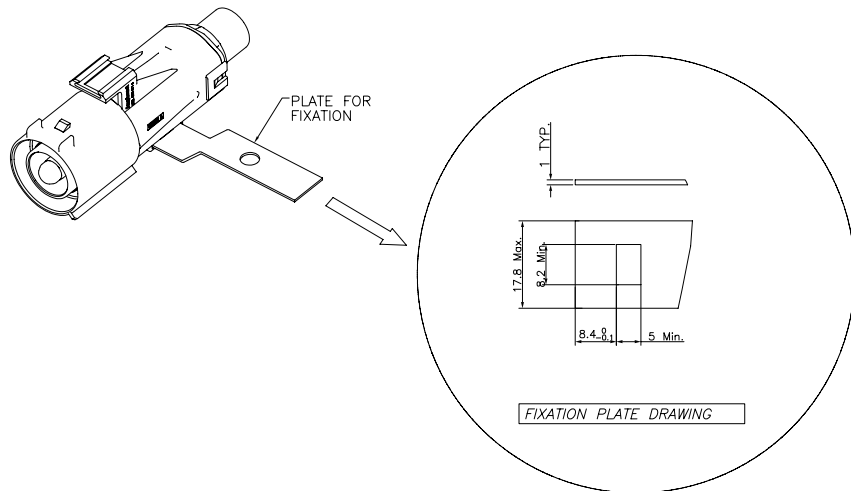
LV-215

# ExcelMate Plus (HVSL 1000)

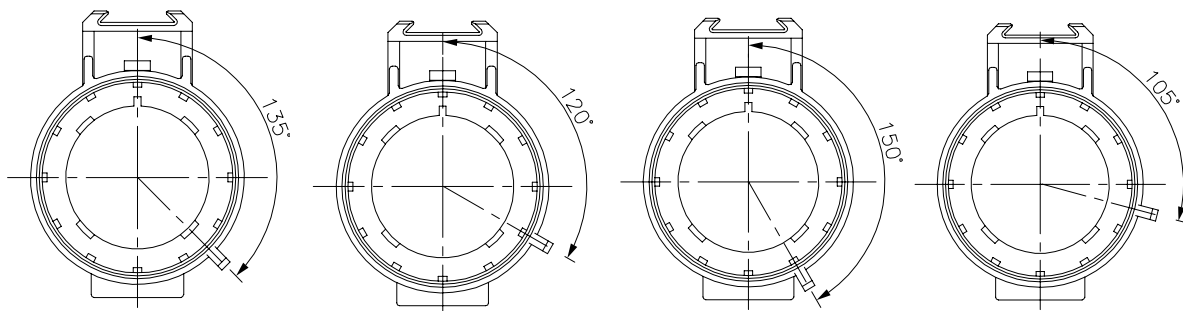
## RECEPTACLE IN-LINE



## MOUNTED GROOVE



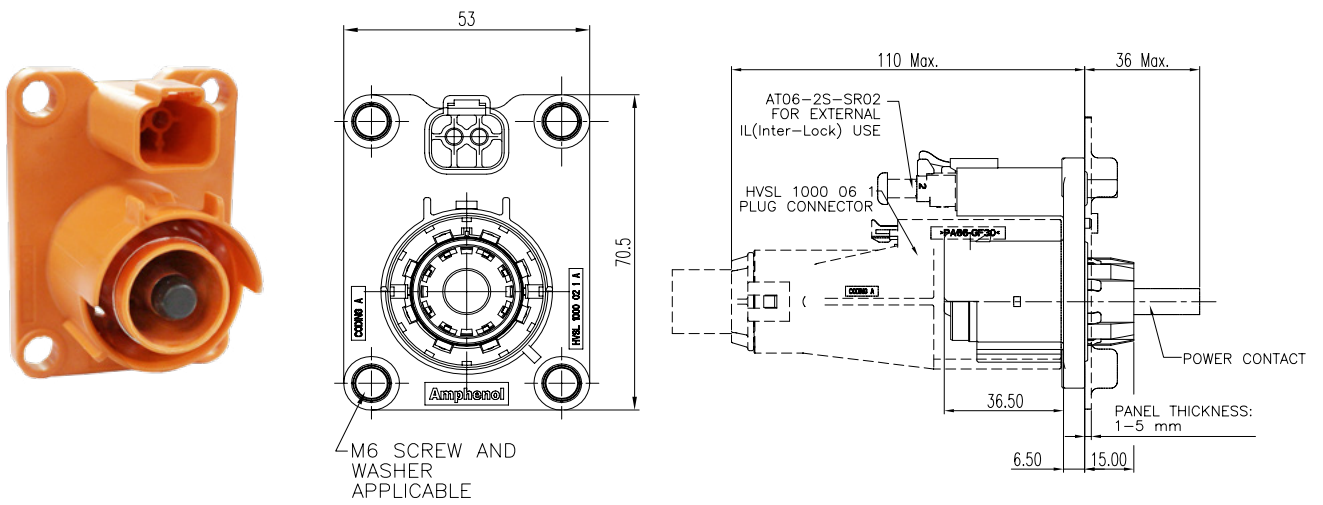
## INSERT ORIENTATIONS



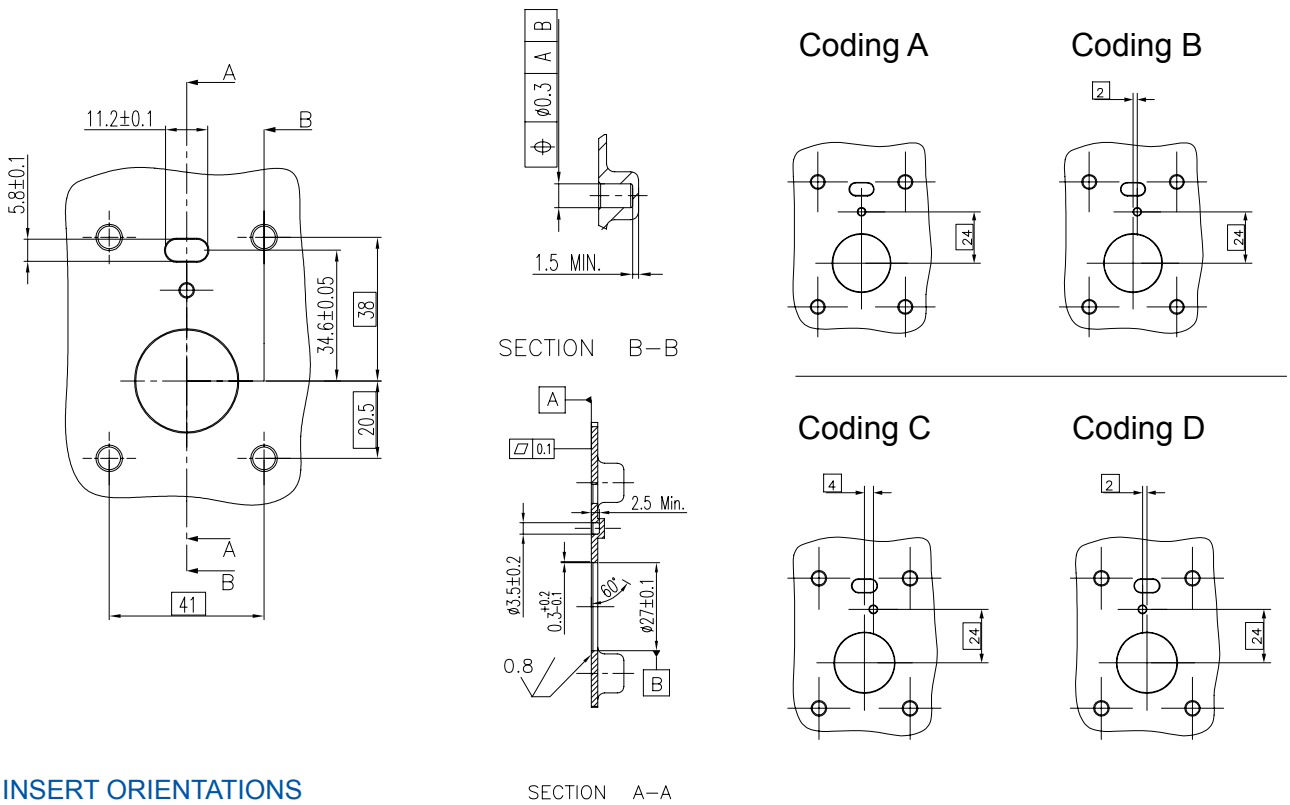
	Coding A	Coding B	Coding C	Coding D
P/N	HVSL1000 01 1 A	HVSL1000 01 1 B	HVSL1000 01 1 C	HVSL1000 01 1 D



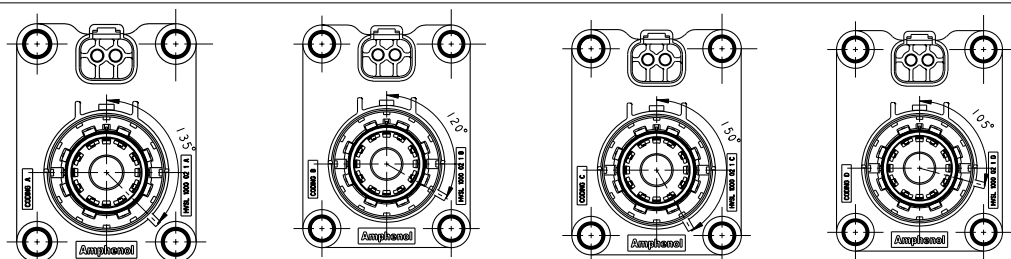
## RECEPTACLE BOX MOUNTED



## PANEL MOUNTING DIMENSIONS



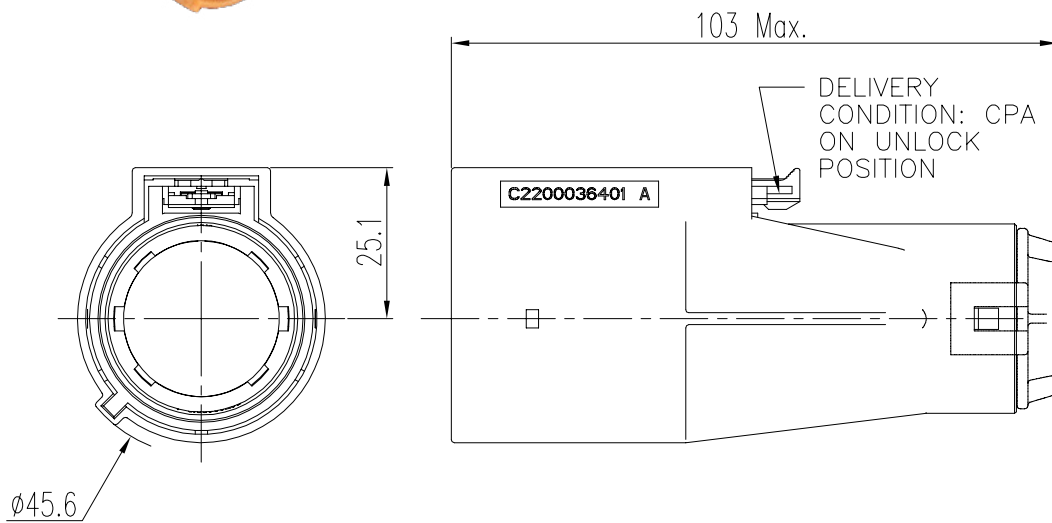
## INSERT ORIENTATIONS



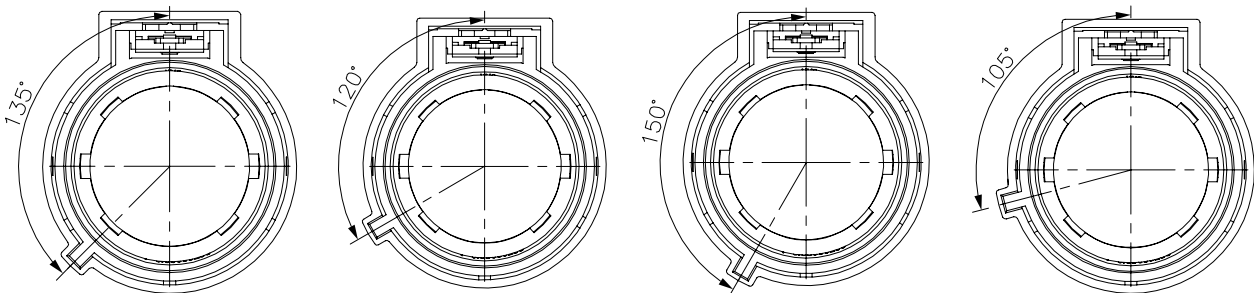
	Coding A	Coding B	Coding C	Coding D
P/N	HVSL1000 02 1 A	HVSL1000 02 1 B	HVSL1000 02 1 C	HVSL1000 02 1 D

# Excel|Mate Plus (HVSL 1000)

## PLUG

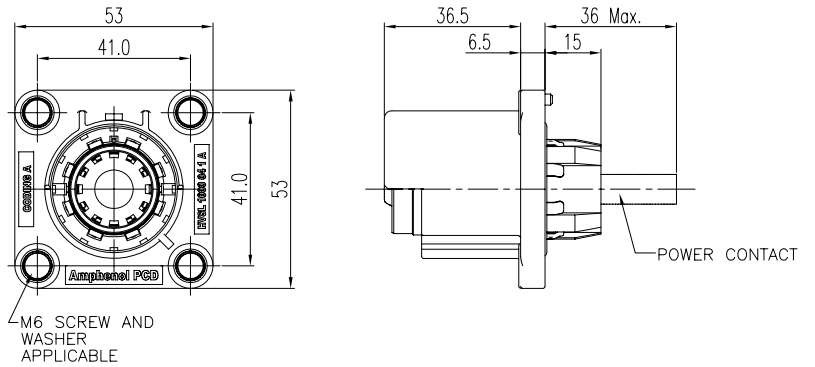


## INSERT ORIENTATIONS

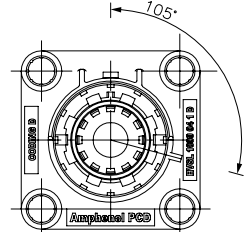
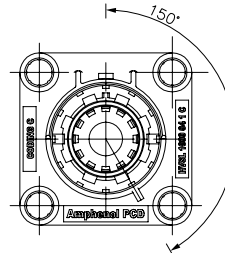
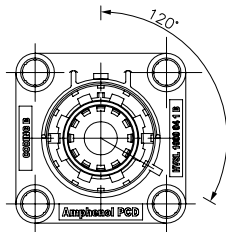
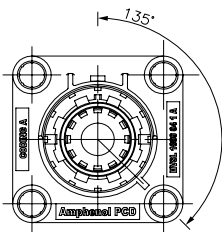


	Coding A	Coding B	Coding C	Coding D
P/N	HVSL1000 06 1 A	HVSL1000 06 1 B	HVSL1000 06 1 C	HVSL1000 06 1 D

## RECEPTACLE BOX MOUNTED WITHOUT INTER-LOCK

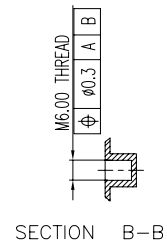
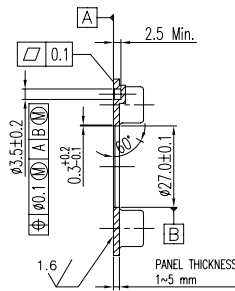
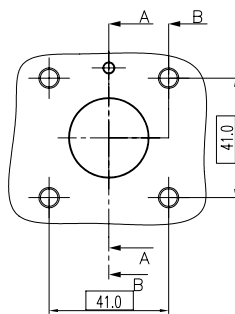


## INSERT ORIENTATIONS

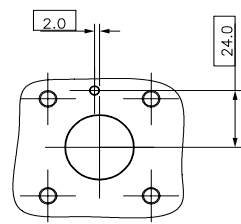
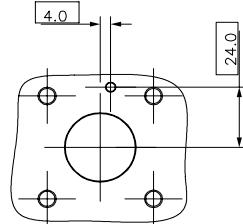
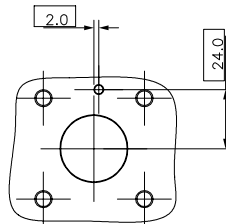
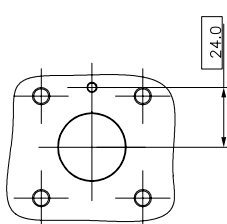


	Coding A	Coding B	Coding C	Coding D
P/N	HVSL1000 04 1 A	HVSL1000 04 1 B	HVSL1000 04 1 C	HVSL1000 04 1 D

## PANEL MOUNTING DIMENSIONS



SECTION A-A

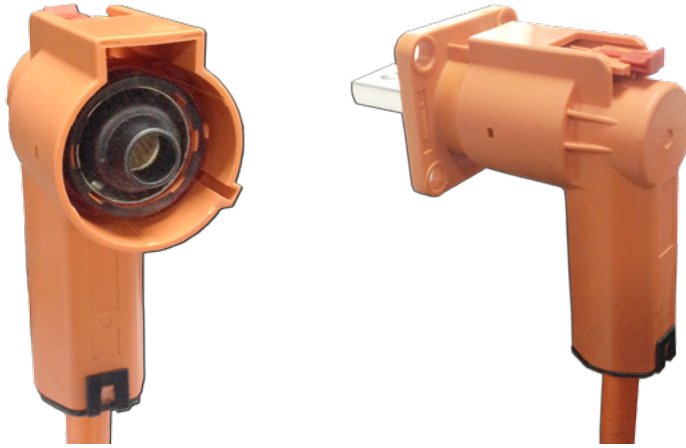


Coding A	Coding B	Coding C	Coding D
----------	----------	----------	----------

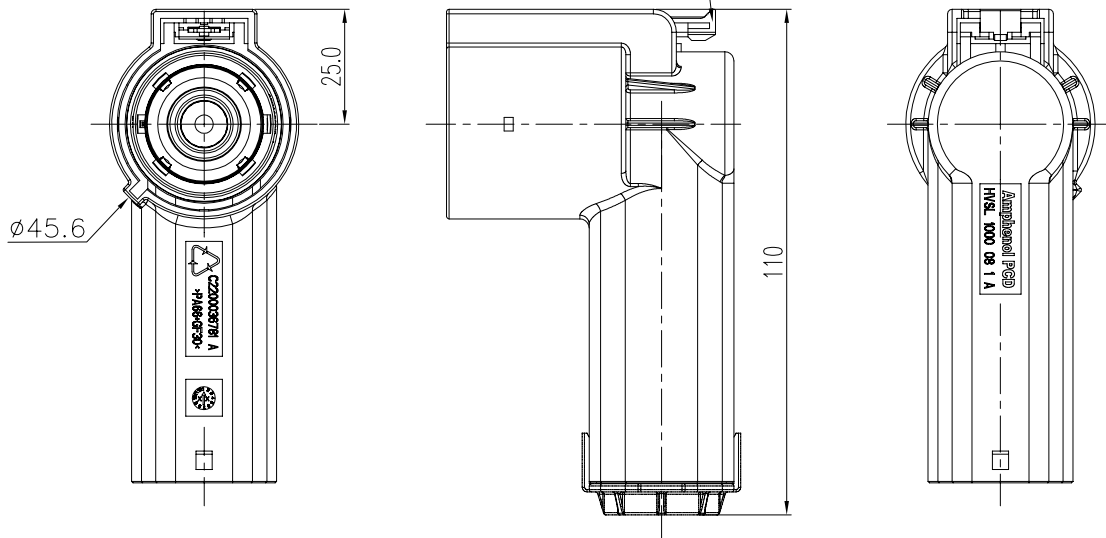


# Excel|Mate Plus (HVSL 1000)

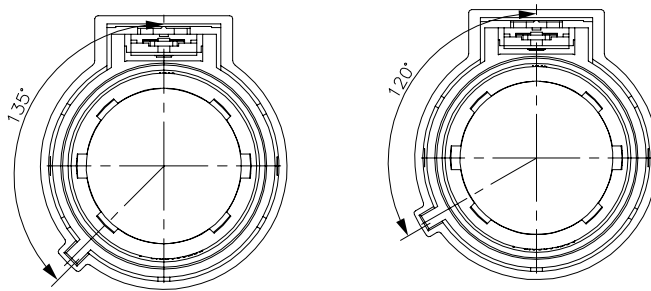
## PLUG RIGHT ANGLE



DELIVERY CONDITION:  
CPA ON UNLOCK  
POSITION

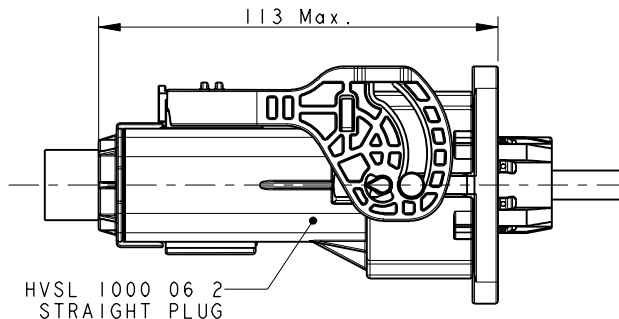


## INSERT ORIENTATIONS

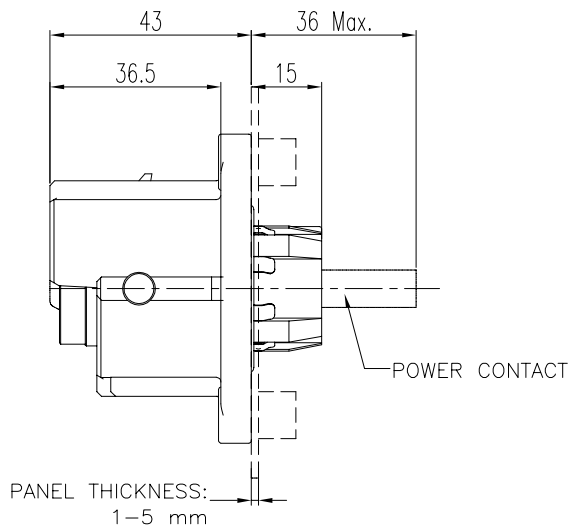
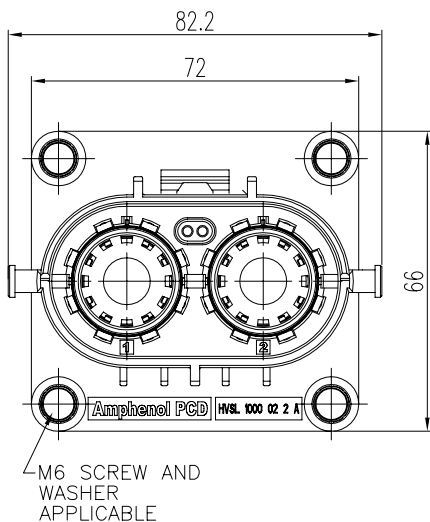


	Coding A	Coding B
P/N	HVSL1000 08 1 A	HVSL1000 08 1 B

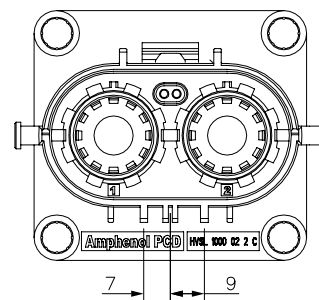
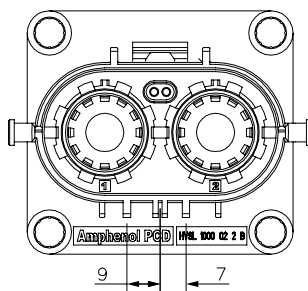
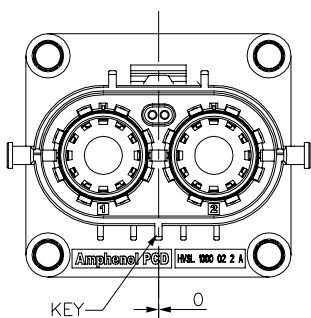
## 2 PIN RECEPTACLE BOX MOUNTED



CONNECTORS MATED OUTLINE

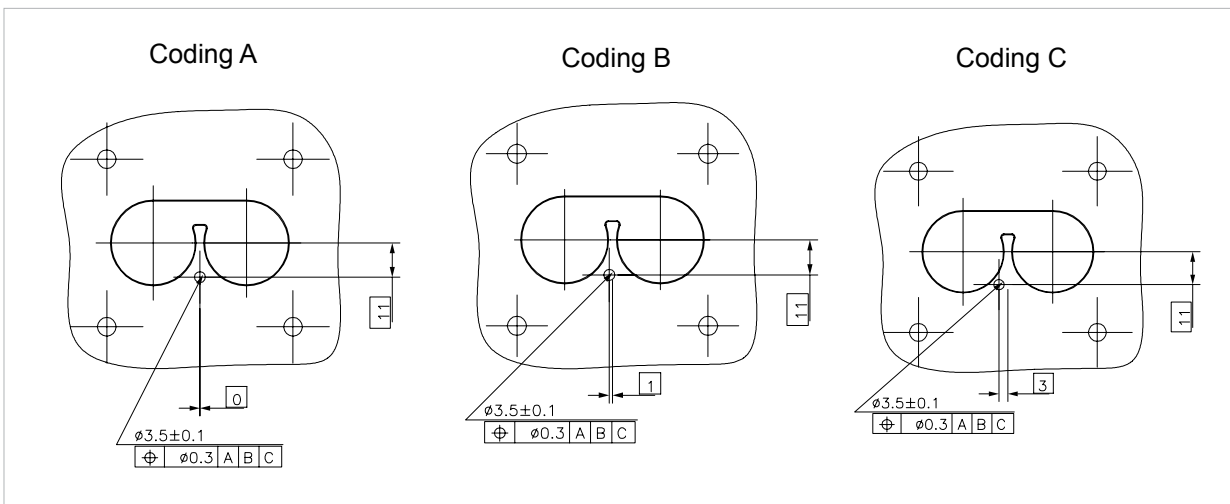
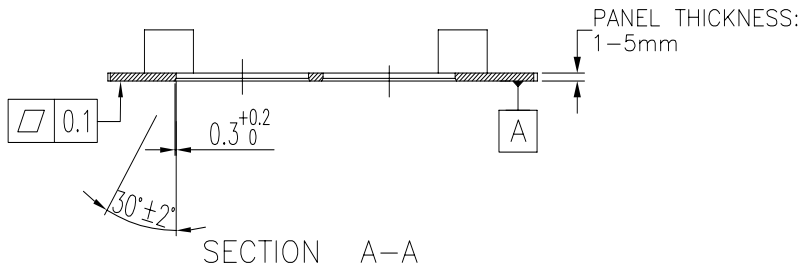
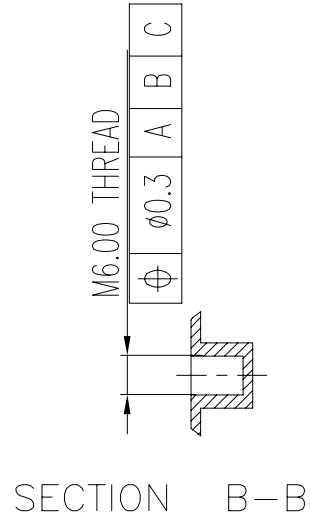
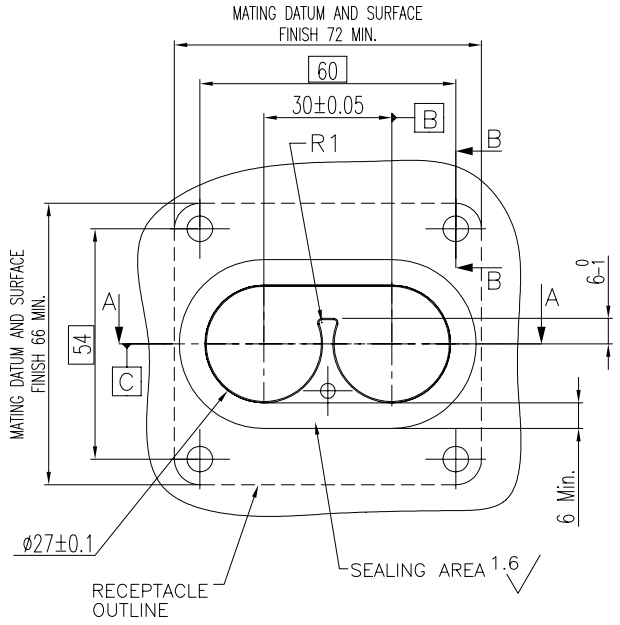


## INSERT ORIENTATIONS

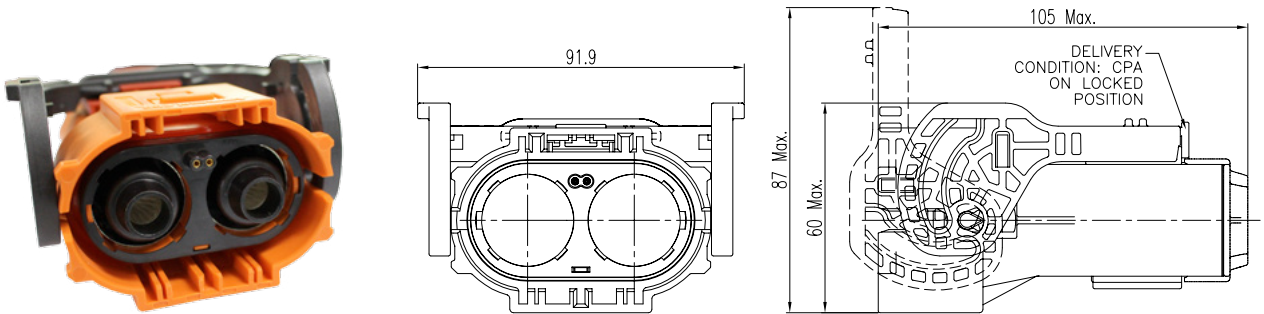


	Coding A	Coding B	Coding C
P/N	HVSL1000 02 2 A	HVSL1000 02 2 B	HVSL1000 02 2 C

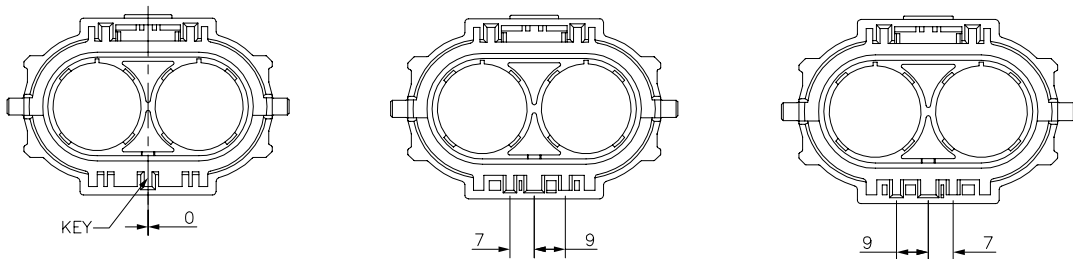
PANEL MOUNTING DIMENSIONS



## 2 PIN PLUG

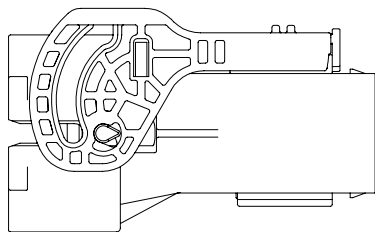


## INSERT ORIENTATIONS

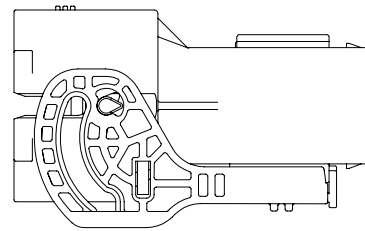


	Coding A	Coding B	Coding C
P/N	HVSL1000 06 2 A	HVSL1000 06 2 B	HVSL1000 06 2 C

## LEVER POSITION

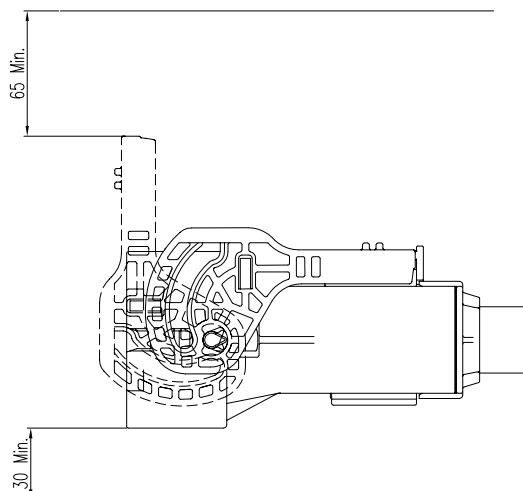


STANDARD LEVER



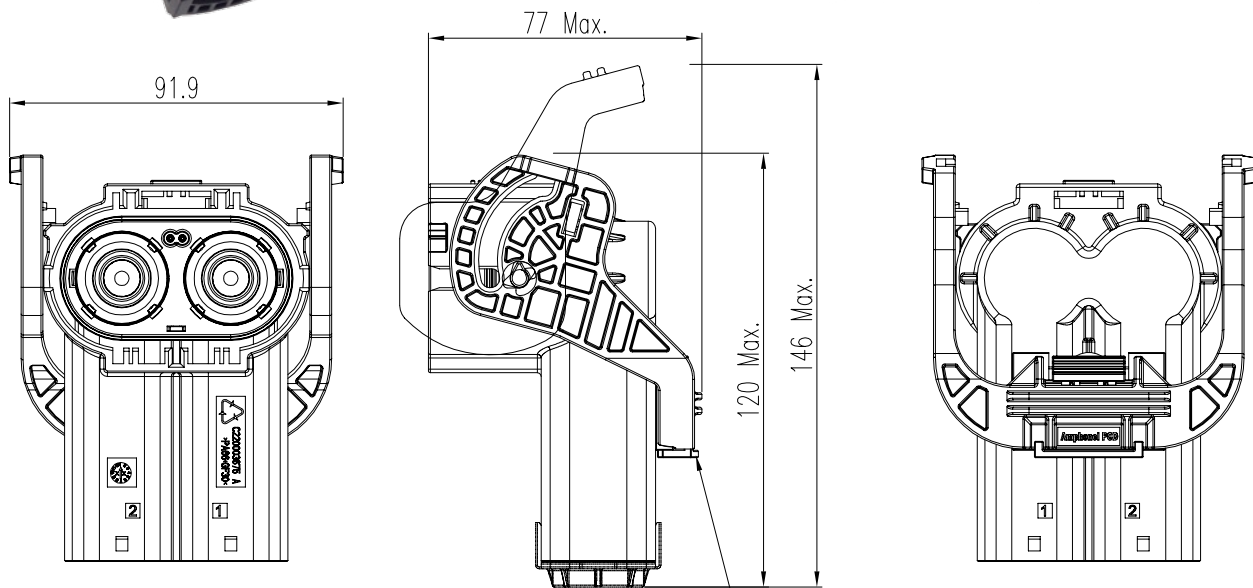
REVERSE LEVER

## INSTALLATION CLEARANCE



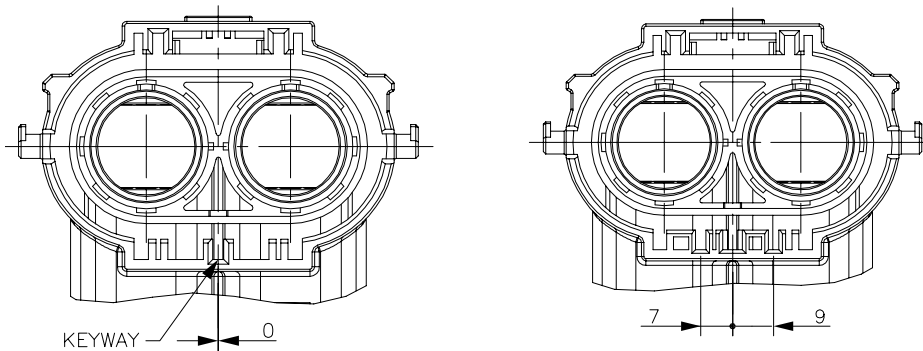
# Excel|Mate Plus (HVSL 1000)

## 2 PIN PLUG RIGHT ANGLE



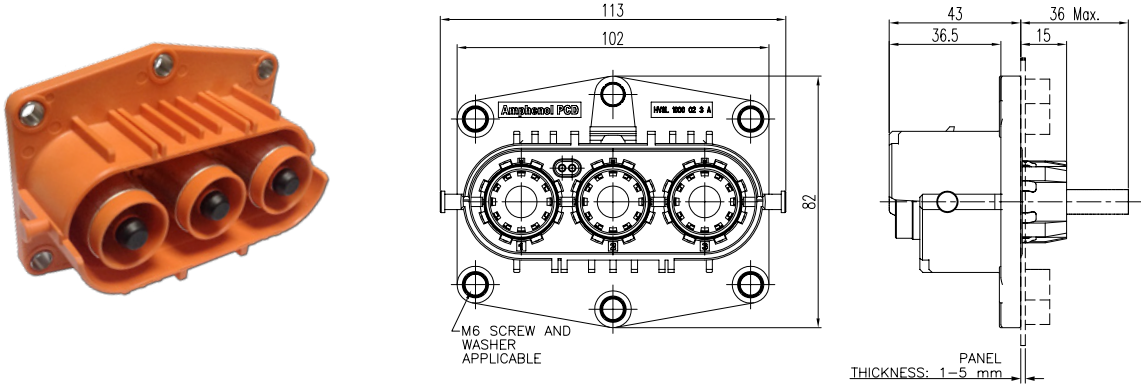
DELIVERY CONDITION:  
CPA ON LOCKED  
POSITION

## INSERT ORIENTATIONS

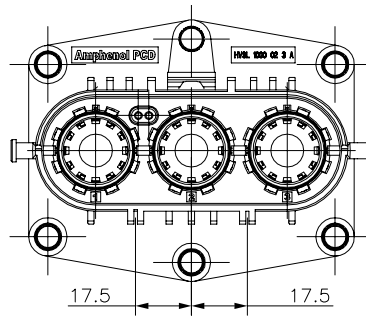


	Coding A	Coding B
P/N	HVSL1000 08 2 A	HVSL1000 08 2 B

## 3 PIN RECEPTACLE BOX MOUNTED

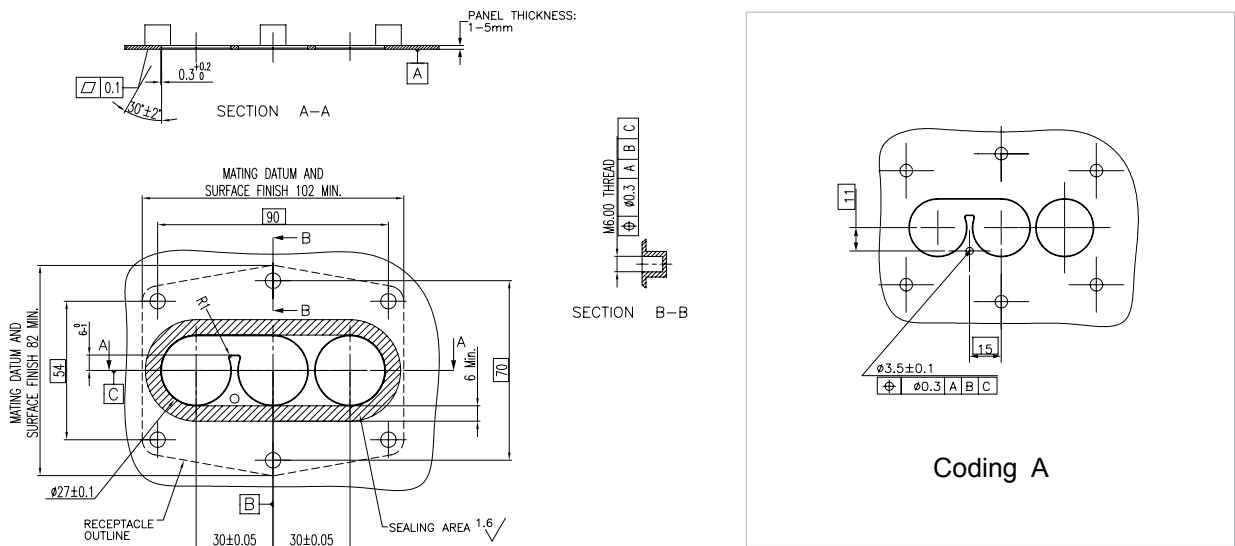


## INSERT ORIENTATIONS



Coding A  
P/N HVSL1000 02 3 A

## PANEL MOUNTING DIMENSIONS

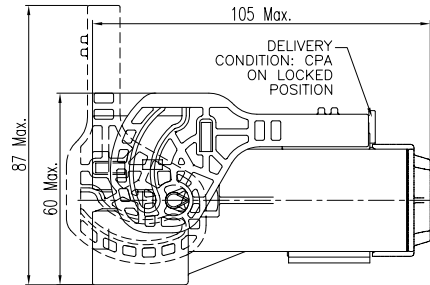
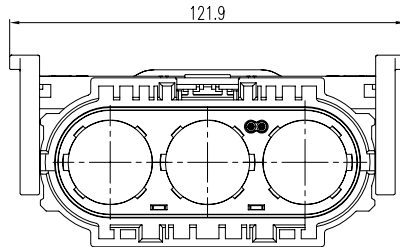
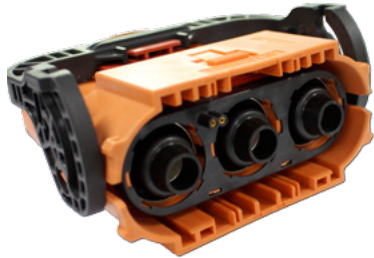


Coding A

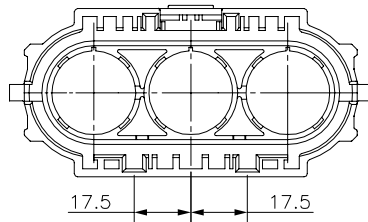


# Excel|Mate Plus (HVSL 1000)

## 3 PIN PLUG

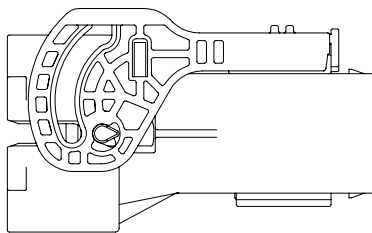


## INSERT ORIENTATIONS

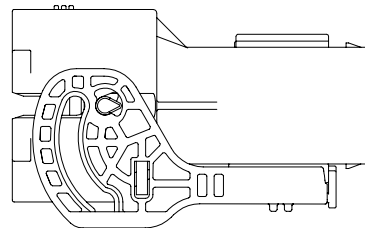


Coding A  
P/N HVSL1000 06 3 A

## LEVER POSITION

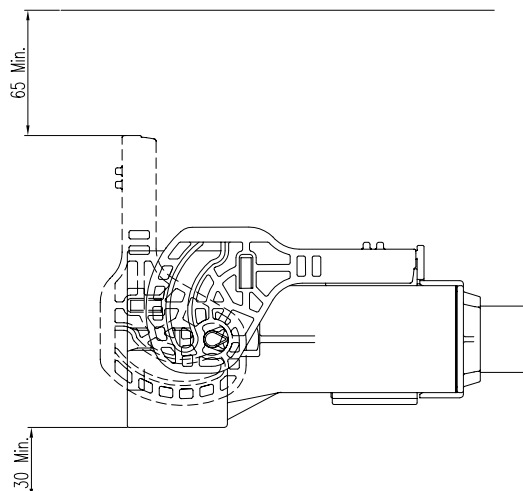


STANDARD LEVER

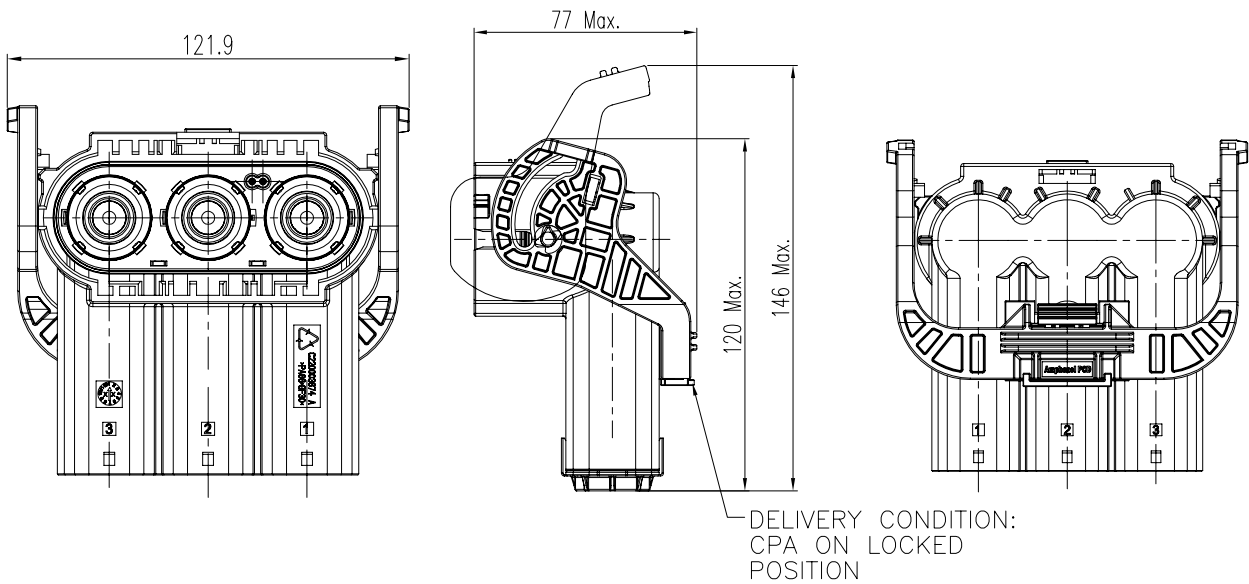


REVERSE LEVER

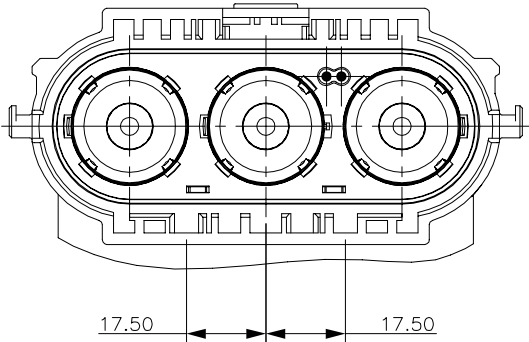
## INSTALLATION CLEARANCE



3 PIN PLUG RIGHT ANGLE



INSERT ORIENTATIONS

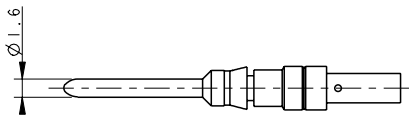
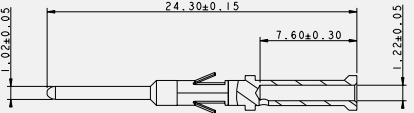
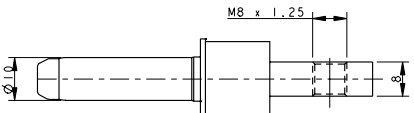
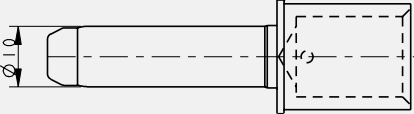
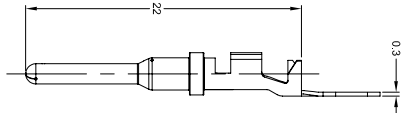
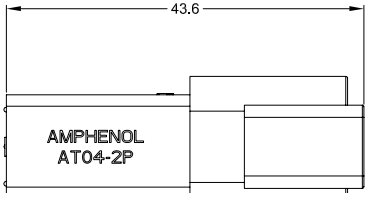
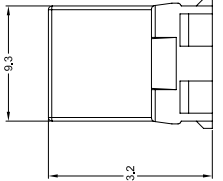


Coding A  
P/N HVSL1000 08 3 A

# CONTACTS FOR RECEPTACLE

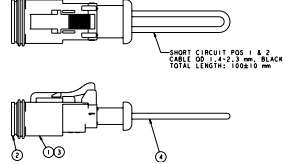
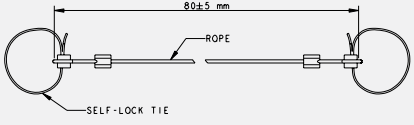
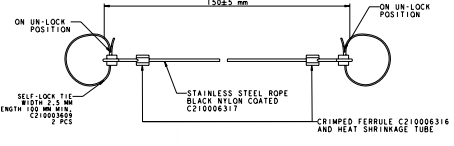
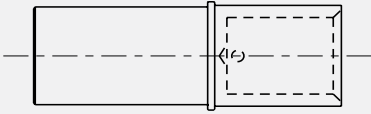
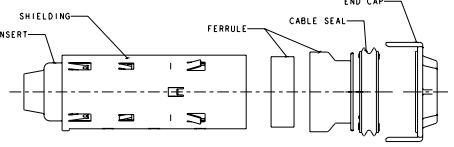
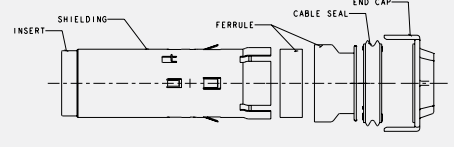
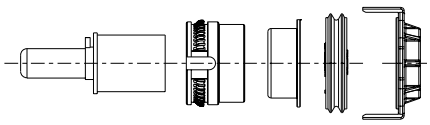
## ATTACHMENT: CONTACTS FOR RECEPTACLE

All connectors include contacts. For extra contacts, please order them separately (ref: P/N below)

Name	Contact P/N & Wire Size	Drawing
1 Pin Box mounted receptacle for Inter-Lock	C42000400504G 0.5mm <sup>2</sup> max wire	
2 or 3 pin for Inter-Lock	C20003609 0.5mm <sup>2</sup> max wire	
Power contact Thread for Bus-bar	C4200036152	
Power contact Crimp for wire	C42000361511 - 70mm <sup>2</sup> wire C42000361512 - 50mm <sup>2</sup> wire C42000361513 - 35mm <sup>2</sup> wire C42000361514 - 25mm <sup>2</sup> wire	
1 Pin: In-line receptacle for Inter-Lock	AT60-16-0622 0.5mm <sup>2</sup> max wire	
	AT04-2P-SR02BLK 0.5mm <sup>2</sup> max wire	
	AW2P	

## ATTACHMENT: CONTACTS FOR PLUG

All connectors include contacts. For extra contacts, please order them separately (ref: P/N below)

Name	Contact P/N & Wire Size	Drawing
1 Pin HVIL plug	C210003610	
1 Pin (For In-line plug) Rope for Inter-Lock	C210003608 (Order with HVIL plug)	
1 Pin (For R/A plug) Rope for Inter-Lock	C210003611 (Order with HVIL plug)	
Socket contact	C4200036161 - 70mm <sup>2</sup> wire C4200036162 - 50mm <sup>2</sup> wire C4200036163 - 35mm <sup>2</sup> wire C4200036164 - 25mm <sup>2</sup> wire	
Kit of socket insert For plug	C4220036011 - 70mm <sup>2</sup> wire C4220036012 - 50mm <sup>2</sup> wire C4220036013 - 35mm <sup>2</sup> wire C4220036014 - 25mm <sup>2</sup> wire	
Kit of socket insert For receptacle in-line	C4220036021 - 70mm <sup>2</sup> wire C4220036022 - 50mm <sup>2</sup> wire C4220036023 - 35mm <sup>2</sup> wire C4220036024 - 25mm <sup>2</sup> wire	
Power contact - rear Crimp for wire for right angle plug	C4220036031 - 70mm <sup>2</sup> wire C4220036032 - 50mm <sup>2</sup> wire C4220036033 - 35mm <sup>2</sup> wire C4220036034 - 25mm <sup>2</sup> wire	

# PRODUCT SERIES OVERVIEW

## PRODUCT SERIES OVERVIEW

---

Single pin  
(HVIL External)



In-line receptacle

In-line plug

---

Single pin



2 pin  
(HVIL Integrated)



3 pin  
(HVIL Integrated)



	HVSL1000	06	1	A	0	35
<b>Product type:</b>						
01: In-line receptacle						
02: Box mounted receptacle						
04: Box mounted receptacle without inter-lock						
06: Straight plug						
08: R/A 90° plug						
<b>Position:</b>						
1: 1 position						
2: 2 position						
3: 3 position						
<b>Coding / Alternate position:</b>						
A: Coding A						
B: Coding B						
C: Coding C (For 2 pin receptacle and straight plug)						
D: Coding D (N/A)						
<b>Inter-lock:</b>						
0: Without Inter-lock						
1: With Inter-lock						
<b>Conductor size:</b>						
25: 25mm <sup>2</sup> cable (N/A, upon request)						
35: 35mm <sup>2</sup> cable						
50: 50mm <sup>2</sup> cable						
70: 70mm <sup>2</sup> cable						
H8: OT terminal (Stud hole is M8)						



# Excel|Mate S (HVSL 800)

## Excel|Mate S



### Excel|Mate S

Excel|Mate S is a 2-pin connector with a current carrying capacity from 150 to 180A and 35 to 50 mm<sup>2</sup> crimping cable.

Specially designed for battery, inverters, junction boxes, power distribution boxes and others xEV devices' equipment.

### KEY FEATURES

- Integrated internal HVIL
- Current rating up to 180A
- No tool required to unmate
- Sealing, IP67 , IP6K9K
- Touch-proof, IP2XB
- Multiple coding positions
- CPA available

### MECHANICAL

Durability	≥ 50 mating cycles
Wire range	35 to 50 mm <sup>2</sup> shielded wire
Insertion and extraction force	< 100N
Connection type	Copper bar
HVIL	Integrated
CPA	CPA

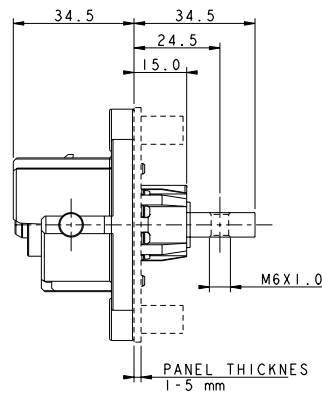
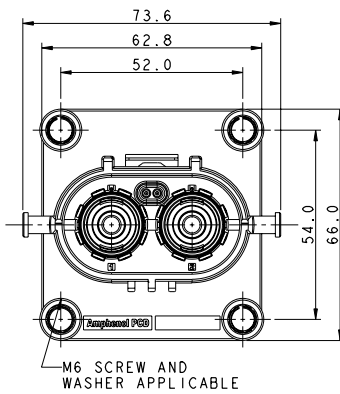
### ELECTRICAL

Rated voltage	1000V DC
Rated current	Max 180A @ ambient temperature 70°C
Insulator resistance	> 200MΩ
Dielectric withstand voltage	3000V AC
Temperature rise	≤ 55°C
Shielding	360° from wire to device

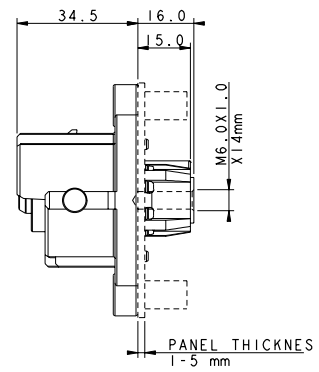
### ENVIRONMENTAL

Sealing	IP67, IP6K9K (mated)
Touch-proof	IP2XB
Temperature range	-40°C to 125°C
Salt spray	48 hours

RECEPTACLE

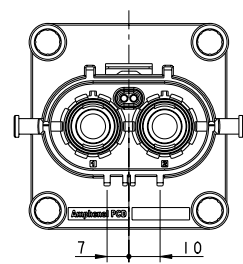
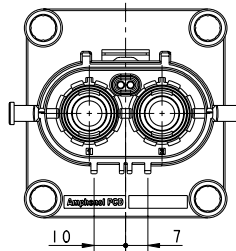
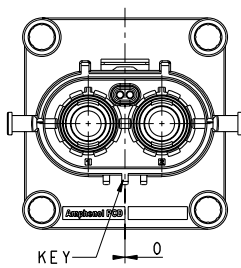


POWER CONTACT  
HOLE TERMINATION



POWER CONTACT  
SCREW TERMINATION-INTERNAL

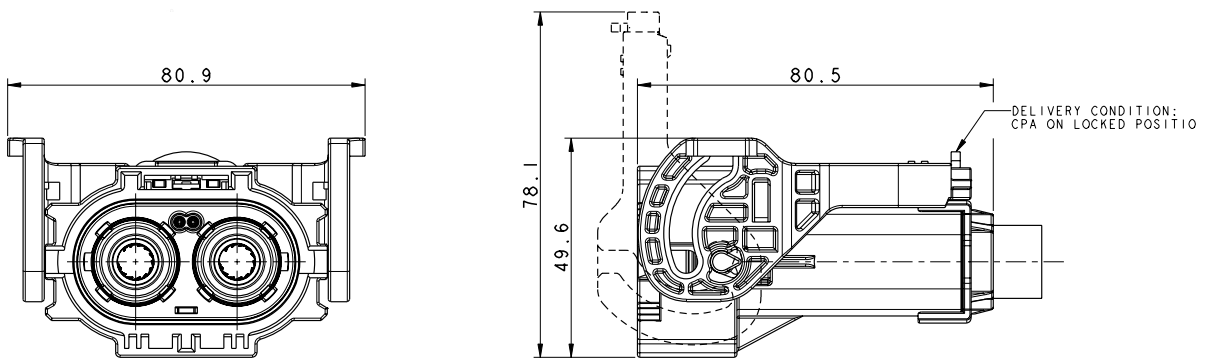
INSERT ORIENTATIONS



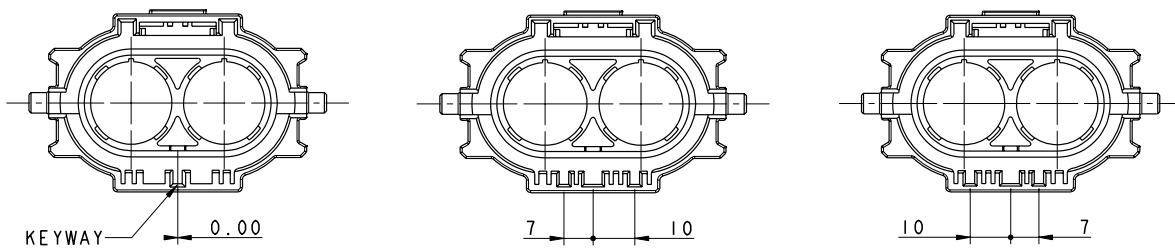
	A	B	C
P/N	HVSL800 02 2 A	HVSL800 02 2 B	HVSL800 02 2 C

# Excel|Mate S (HVSL 800)

## STRAIGHT PLUG

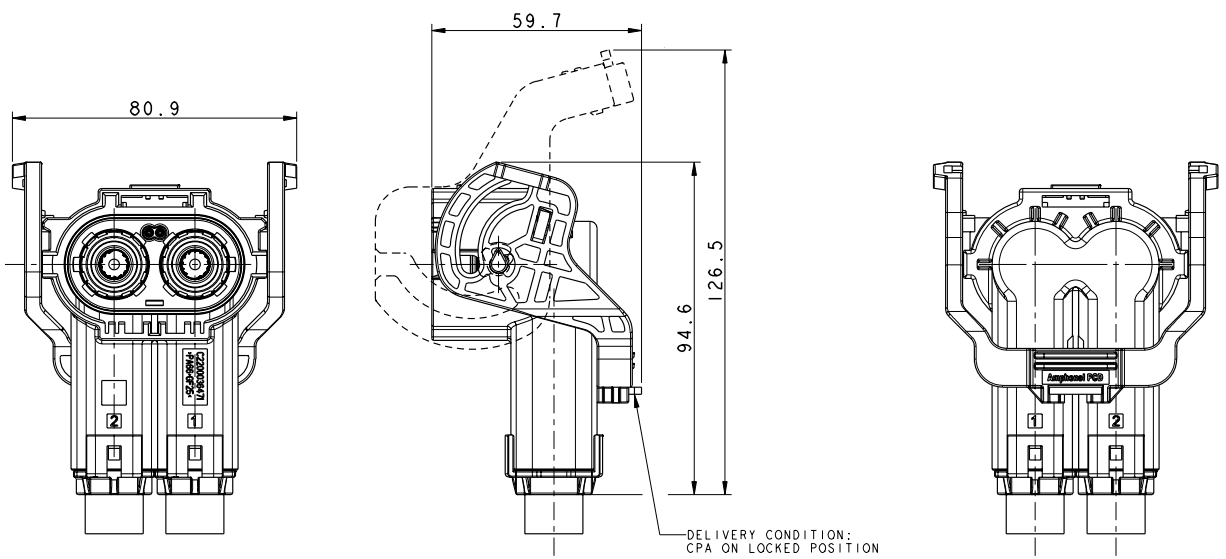


## INSERT ORIENTATIONS

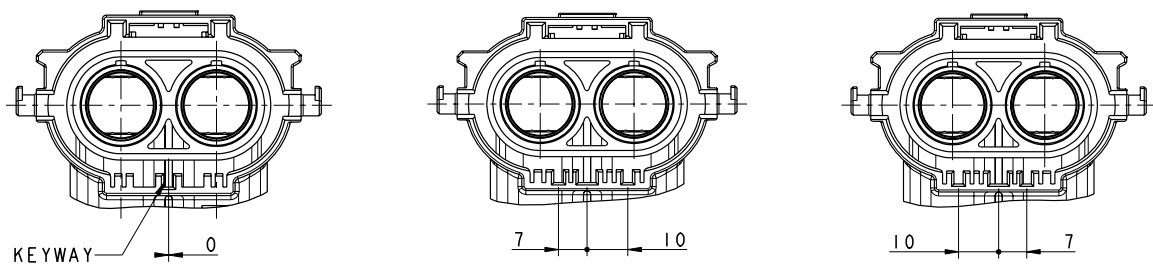


	A	B	C
P/N	HVSL800 06 2 A	HVSL800 06 2 B	HVSL800 06 2 C

RIGHT ANGLE PLUG

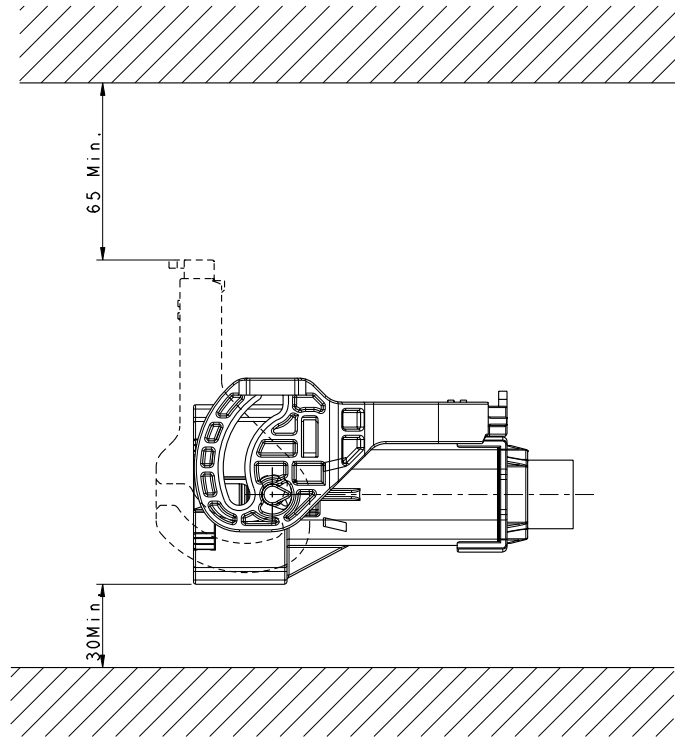


INSERT ORIENTATIONS



	A	B	C
P/N	HVSL800 08 2 A	HVSL800 08 2 B	HVSL800 08 2 C

## INSTALLATION CLEARANCE



## HOW TO ORDER: EXCEL|MATE S

	HVSL800	06	2	A	0	50
<b>Product type:</b>						
<b>02:</b> Box mounted receptacle						
<b>06:</b> Straight plug						
<b>08:</b> Right angle plug						
<b>Position:</b>						
<b>2:</b> 2 position						
<b>Coding / Alternate position:</b>						
<b>A:</b> Coding A						
<b>B:</b> Coding B						
<b>C:</b> Coding C (N/A)						
<b>Inter-lock:</b>						
<b>0:</b> Without Inter-lock						
<b>1:</b> With Inter-lock						
<b>Conductor size:</b>						
<b>35:</b> 35mm <sup>2</sup> cable						
<b>50:</b> 50mm <sup>2</sup> cable						
<b>H6:</b> Copper bar, OT terminal, M6 (For receptacle)						
<b>D6:</b> Screw(Internal), OT terminal, M6 (For receptacle)						

## Excel|Mate Metal: 2 PIN CONNECTOR



### Excel|Mate Metal

Excel|Mate Metal is a 2-pin connector with current carrying capacity from 80 to 120A and 16 to 25mm<sup>2</sup> crimping cable.

Specially designed for battery, inverters, junction boxes, power distribution boxes and others xEV devices' equipment.

### KEY FEATURES

- Integrated internal HVIL
- Current rating up to 120A
- No tool required to unmate
- Sealing, IP67 (mated), IP6K9K
- Touch-proof, IP2XB
- Multiple coding positions
- CPA available

### MECHANICAL

Durability	≥ 50 mating cycles
Wire range	16 to 25 mm <sup>2</sup> shielded wire
Insertion and extraction force	< 100N
Connection type	Copper bar
HVIL	Integrated
CPA	Available

### ELECTRICAL

Rated voltage	1000V DC
Rated current	120A Max @ ambient temperature 70°C
Insulator resistance	> 200MΩ
Dielectric withstand voltage	3000V AC
Temperature rise	≤ 55°C
Shielding	360° from wire to device

### ENVIRONMENTAL

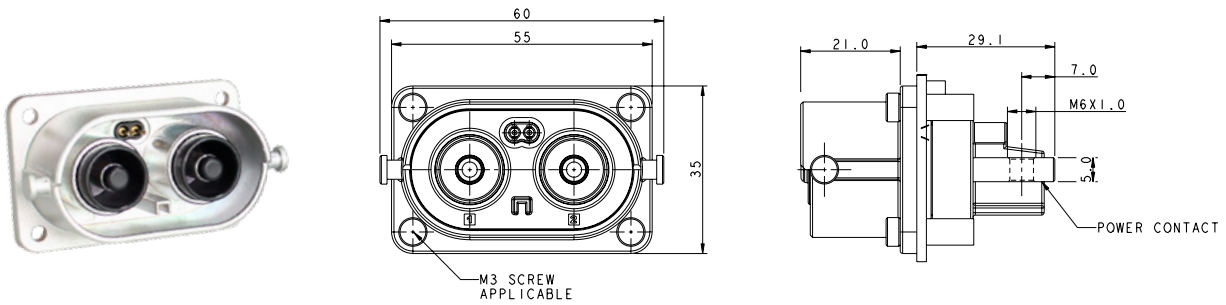
Sealing	IP67, IP6K9K (mated)
Touch-proof	IP2XB
Temperature range	-40°C to 125°C
Salt spray	48 hours

### MATERIAL

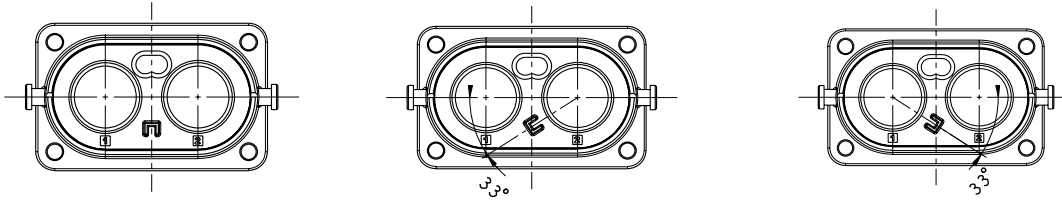
Terminals	Copper/copper alloy with silver plating
Housing	Zinc alloy



RECEPTACLE

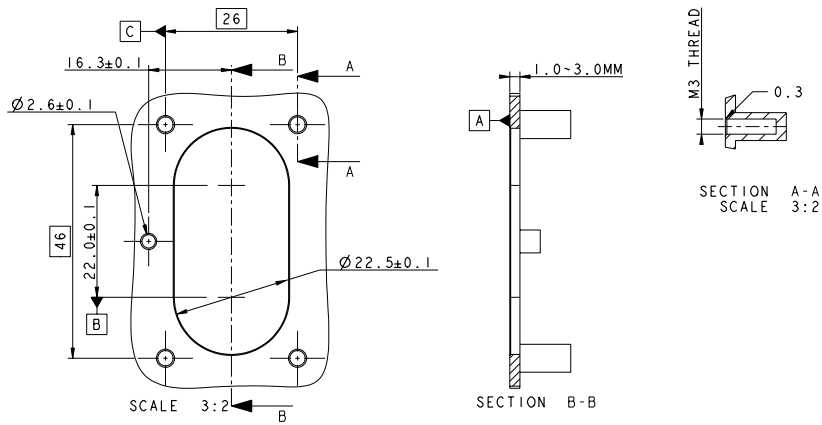


INSERT ORIENTATIONS

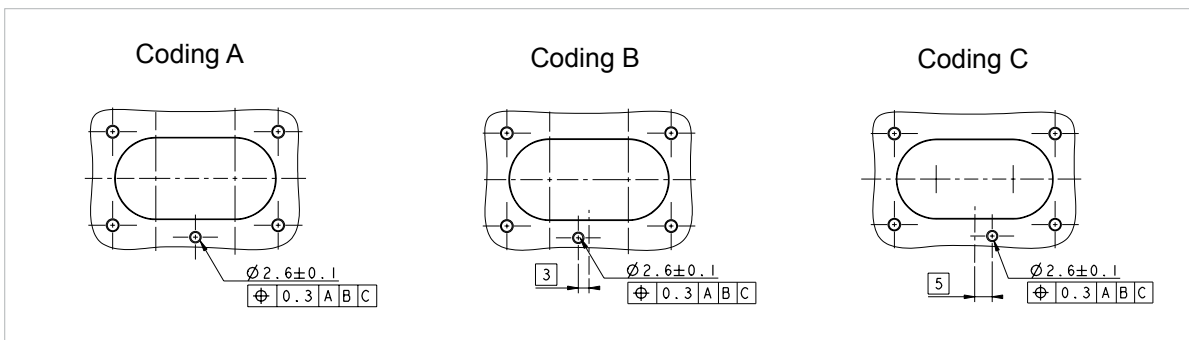


	Coding A	Coding B	Coding C
P/N	HVSL S600 02 2 A	HVSL S600 02 2 B	HVSL S600 02 2 C

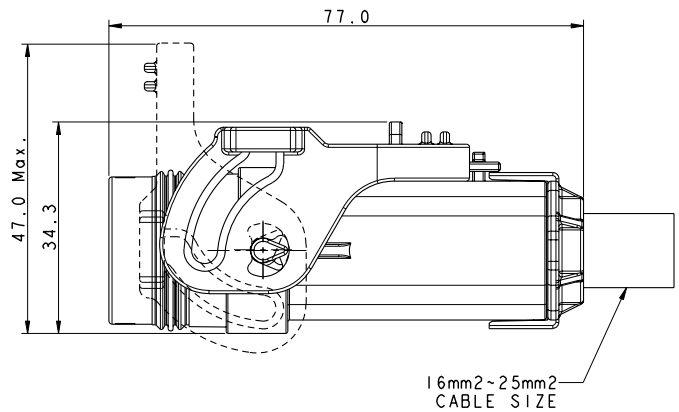
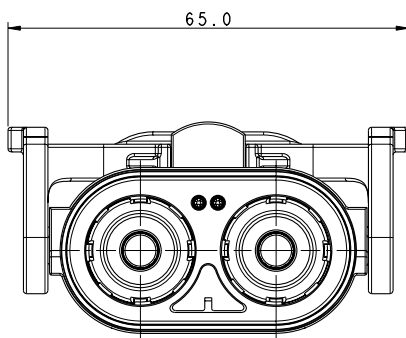
PANEL MOUNTING DIMENSIONS



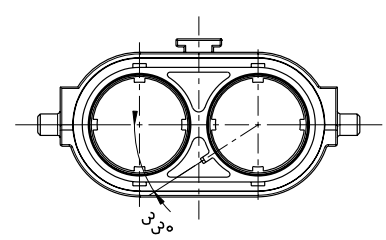
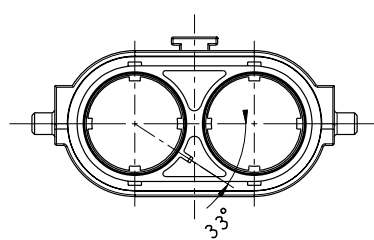
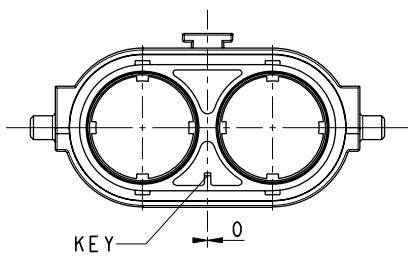
INSERT ORIENTATIONS



STRAIGHT PLUG



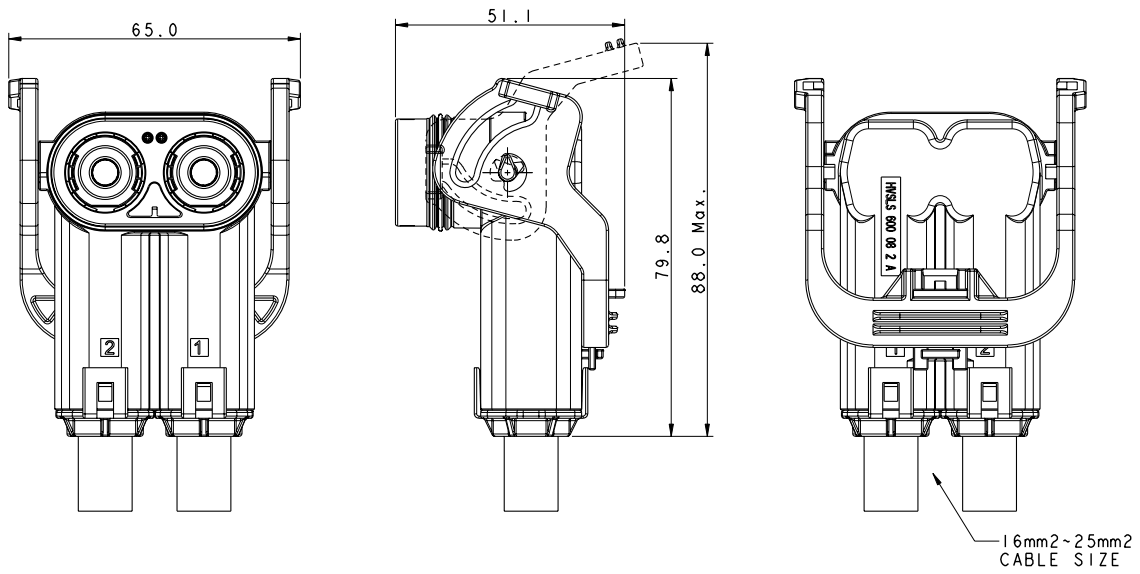
INSERT ORIENTATIONS



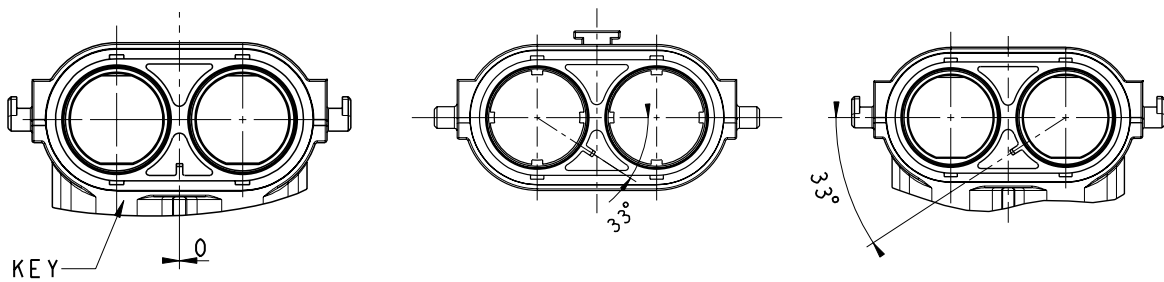
	Coding A	Coding B	Coding C
P/N	HVSLS600 06 2 A	HVSLS600 06 2 B	HVSL600 06 2 C

# Excel|Mate Metal (HVSL S 600)

## RIGHT ANGLE PLUG

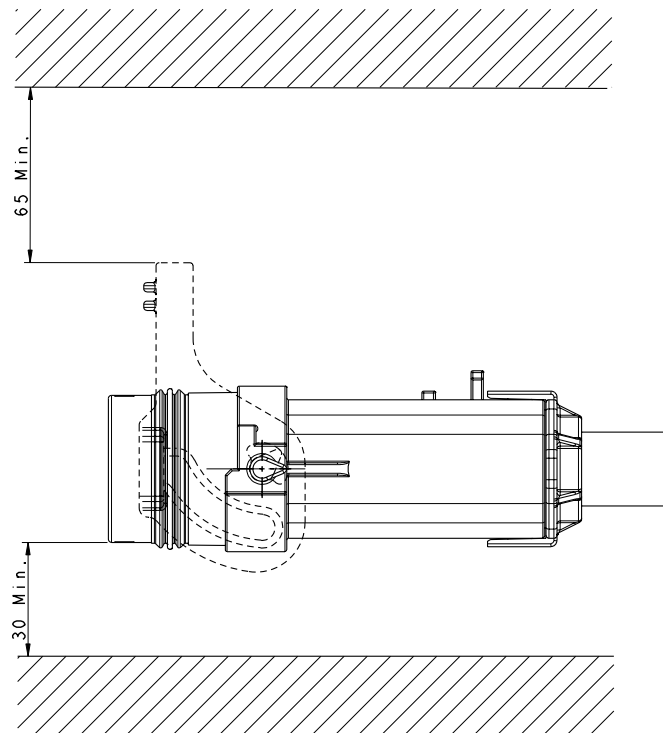


## INSERT ORIENTATIONS



	Coding A	Coding B	Coding C
P/N	HVSL S600 08 2 A	HVSL S600 08 2 B	HVSL600 08 2 C

## INSTALLATION CLEARANCE



## HOW TO ORDER: EXCEL|MATE METAL

	HVSL S 600	06	2	A	0	25
<b>Product type:</b>						
02: Box mounted receptacle						
06: Straight plug						
08: Right angle plug						
<b>Position:</b>						
2: 2 position						
<b>Coding / Alternate position:</b>						
A: Coding A						
B: Coding B						
C: Coding C (N/A)						
<b>Inter-lock:</b>						
0: Without Inter-lock						
1: With Inter-lock						
<b>Conductor size:</b>						
16: 16mm <sup>2</sup> cable						
25: 25mm <sup>2</sup> cable						
H6: OT terminal (Stud hole is M6) (For receptacle)						

# Excel|Mate Metal (HVSL S 800)

## Excel|Mate Metal (HVSL S800)



### Excel|Mate Metal

Excel|Mate Metal is a 2-pin connector with a current carrying capacity of 180A and 35 to 50mm<sup>2</sup> crimping cable.

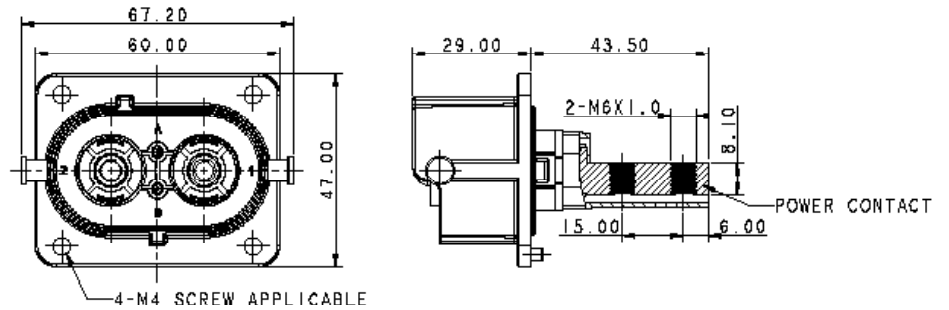
Specially designed for battery, inverters, junction boxes, power distribution boxes and others xEV devices' equipment.

### KEY FEATURES

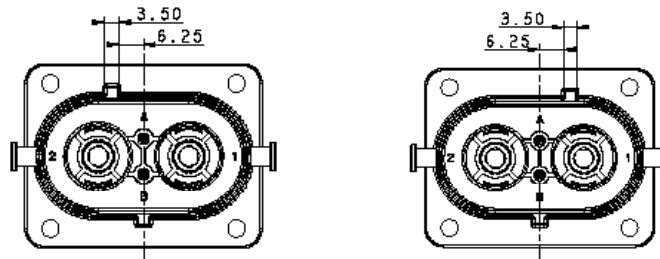
- Integrated internal HVIL
- Current rating up to 180A
- No tool required to unmate
- Sealing, IP67 (mated), IP6K9K
- Touch-proof, IP2XB
- Multiple coding positions
- CPA available

MECHANICAL	
Durability	≥ 50 mating cycles
Wire range	35 to 50 mm <sup>2</sup> shielded wire
Insertion and extraction force	< 100N
Connection type	Copper bar
HVIL	Integrated
CPA	Available
ELECTRICAL	
Rated voltage	1000V DC
Rated current	180A Max @ ambient temperature 70°C
Insulator resistance	> 200MΩ
Dielectric withstand voltage	3000V AC
Temperature rise	≤ 55°C
Shielding	360° from wire to device
ENVIRONMENTAL	
Sealing	IP67, IP6K9K (mated)
Touch-proof	IP2XB
Temperature range	-40°C to 125°C
Salt spray	48 hours
MATERIAL	
Terminals	Copper/copper alloy with silver plating
Housing	Zinc alloy

RECEPTACLE

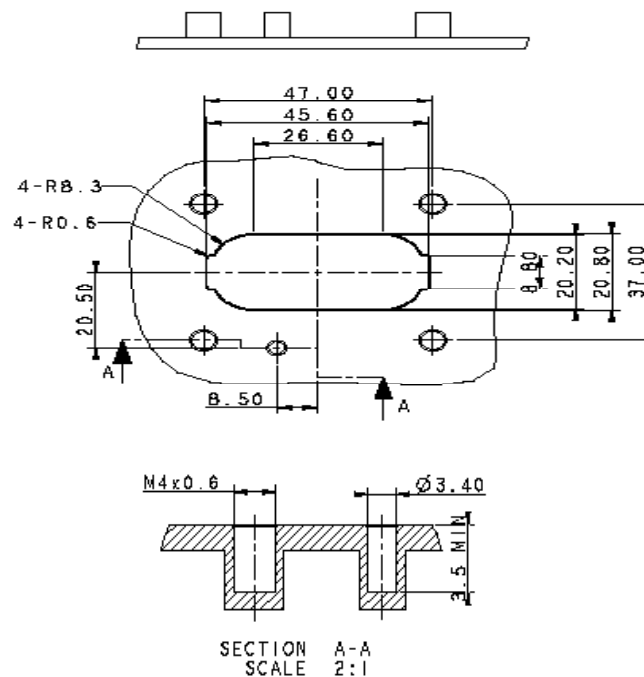


INSERT ORIENTATIONS



	Coding A	Coding B
P/N	HVSL800 02 2 A	HVSL800 02 2 B

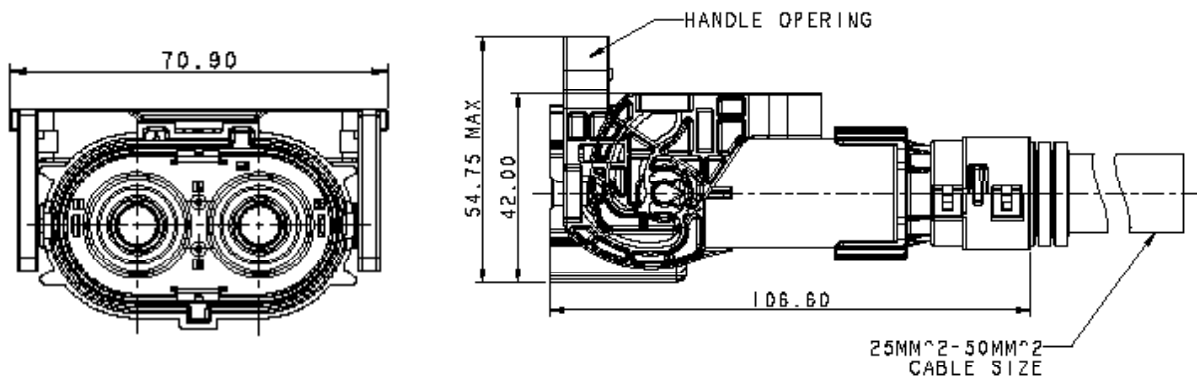
PANEL MOUNTED DIMENSIONS



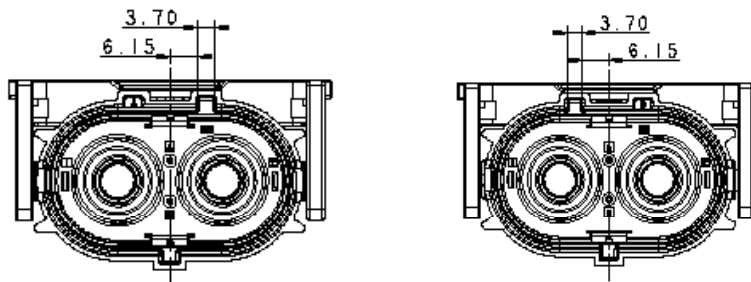


# Excel|Mate Metal (HVSL S 800)

## STRAIGHT PLUG



## INSERT ORIENTATIONS



P/N

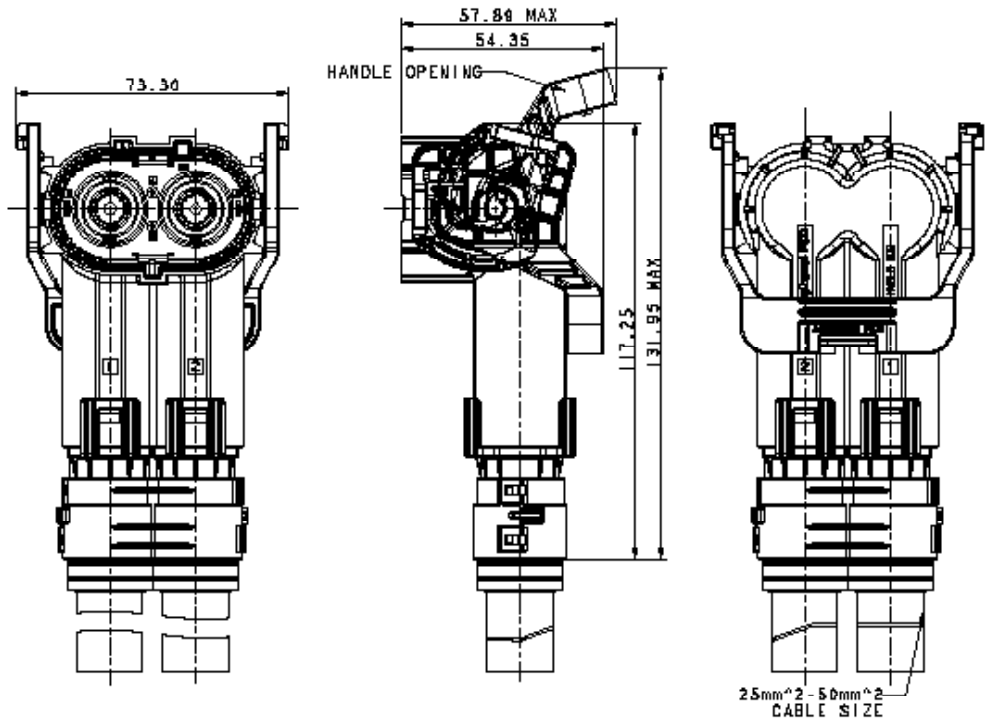
Coding A

HVSL S800 06 2 A

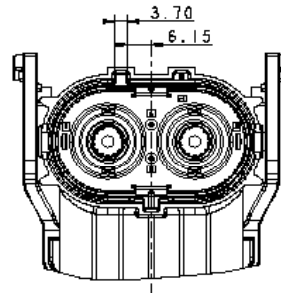
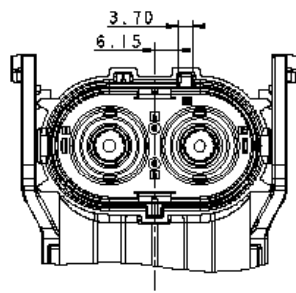
Coding B

HVSL S800 06 2 B

RIGHT ANGLE PLUG



INSERT ORIENTATIONS

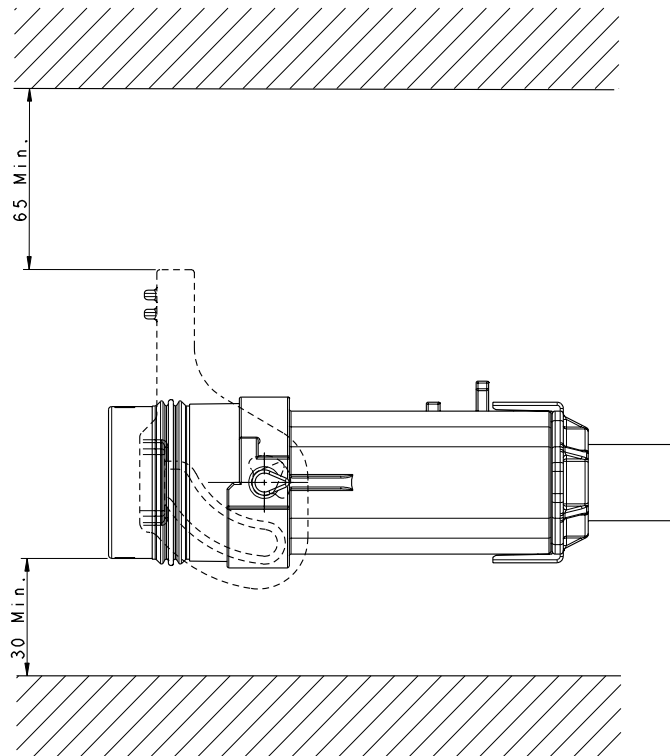


P/N

Coding A  
HVSL800 08 2 A

Coding B  
HVSL800 08 2 B

## INSTALLATION CLEARANCE



## HOW TO ORDER

	HVSL S 800	06	2	A	0	35
<b>Product type:</b>						
02: Box mounted receptacle						
06: Straight plug						
08: Right angle plug						
<b>Position:</b>						
2: 2 position						
<b>Coding / Alternate position:</b>						
A: Coding A						
B: Coding B						
C: Coding C (N/A)						
<b>Inter-lock:</b>						
0: Without Inter-lock						
1: With Inter-lock						
<b>Conductor size:</b>						
35: 35mm <sup>2</sup> cable						
50: 50mm <sup>2</sup> cable						
H6: OT terminal (Stud hole is M6) (For receptacle)						

## Excel|Mate Eco (HVSL600 1 POSITION CONNECTOR)



### HVSL600

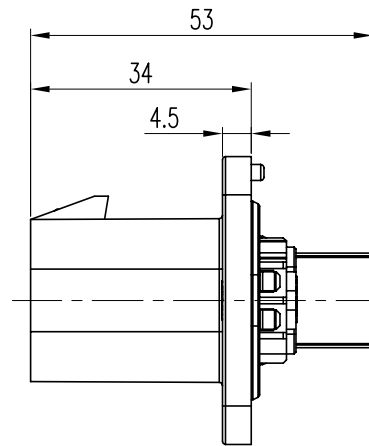
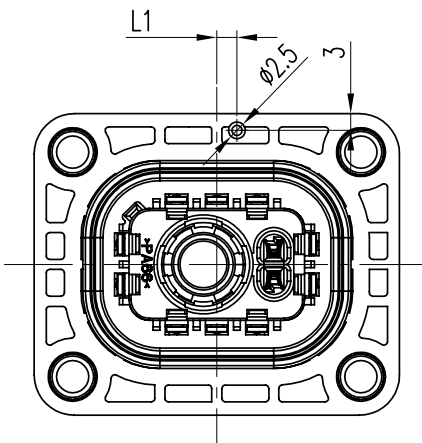
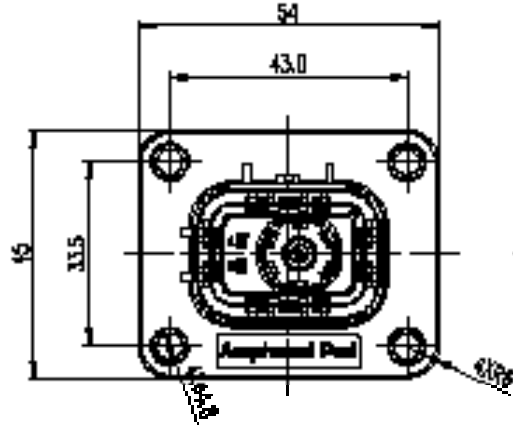
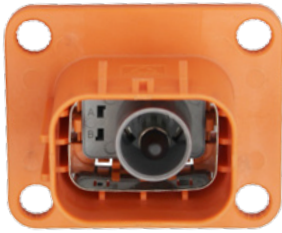
**HVSL600** is a single pin connector with a current carrying capacity of 120A and 25mm<sup>2</sup> crimping cable. It can be utilized with multi-core or individually shielded wire. An integrated internal HVIL with multiple routing options allows package size optimization and flexibility.

#### KEY FEATURES

- Integrated internal HVIL
- Current rating up to 120A
- Two-stage, tool or thumb activated latching
- No tool required to unmate
- Sealing, IP67 (mated), IP6K9K
- Touch-proof, IP2XB
- Multiple coding positions
- CPA available

MECHANICAL	
Durability	≥ 50 mating cycles
Wire range	25mm <sup>2</sup> shielded wire
Insertion and extraction force	< 100N
Connection type	Crimping or bus-bar
Latching style	Two stage, finger actuated
HVIL	Integrated
CPA	Available
ELECTRICAL	
Rated voltage	800V DC
Rated current	120A @ ambient temperature 70°C
Insulator resistance	> 200MΩ
Dielectric withstand voltage	3000V AC
Temperature rise	≤ 55°C
Shielding	360° from wire to device
ENVIRONMENTAL	
Sealing	IP67, IP6K9K (mated)
Touch-proof	IP2XB
Temperature range	-40°C to 125°C
Salt spray	48 hours
MATERIAL	
Terminals	Copper/copper alloy with silver plating
Housing	PA66 + GF

RECEPTACLE



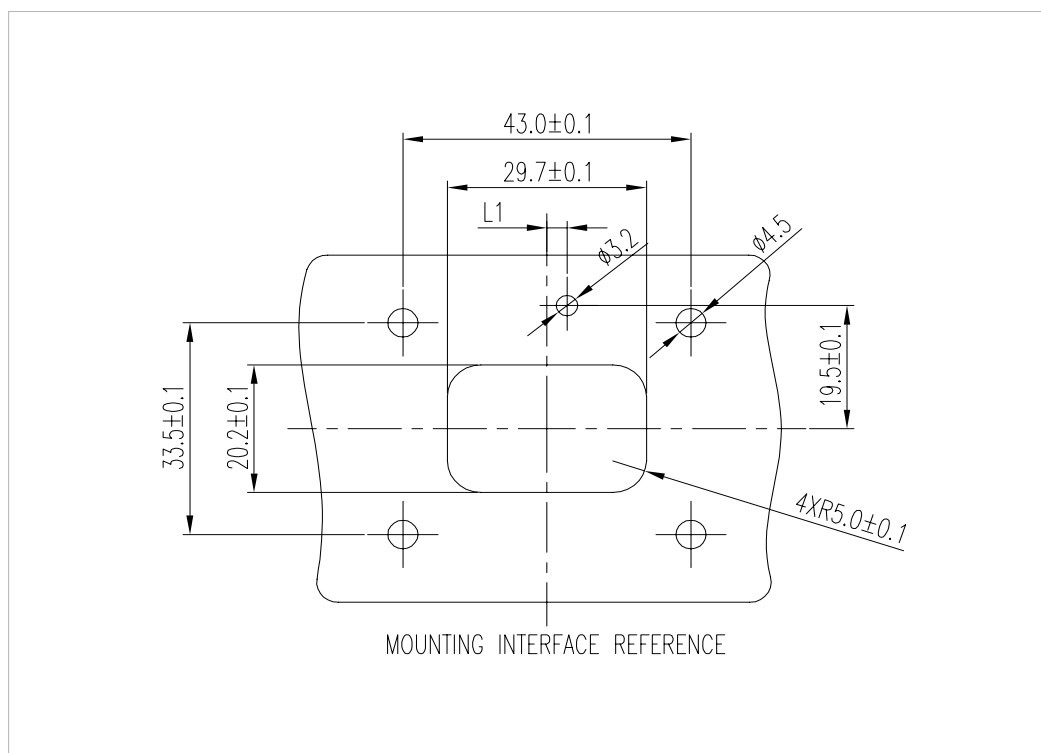
CONTACTS

All connectors include contacts. For extra contacts, please order them separately (ref: P/N below)

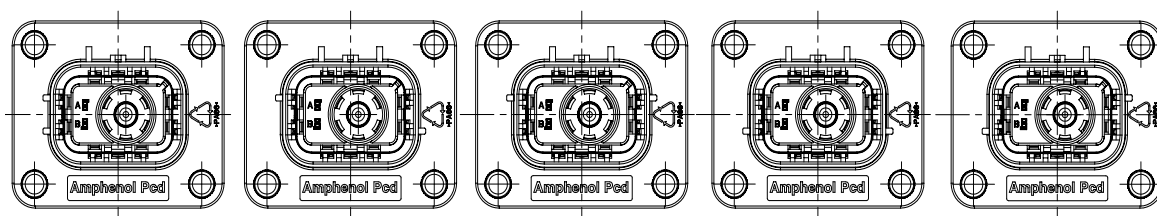
All connectors include contacts. For extra contacts, please order them separately (ref: P/N below)		
Main contacts: Crimping	Main contacts: Bus-bar	HVIL contacts
P/N: C420003621	P/N: C420003625	P/N: C310003613

PANEL MOUNTING DIMENSIONS

CODING	A	B	C	D	E
L1 (Receptacle)	0	3	6	-3	-6
L1 (Panel mount)	0	-3	-6	3	6



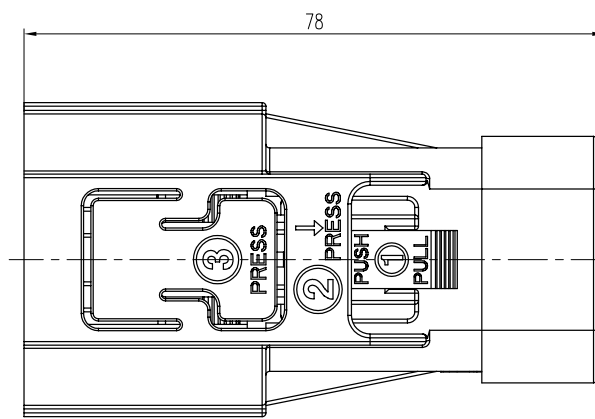
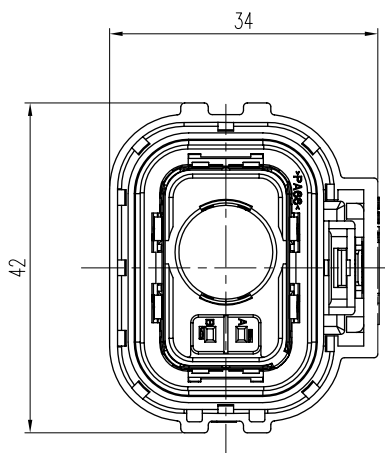
INSERT ORIENTATIONS



	Coding A	Coding B	Coding C	Coding D	Coding E
P/N	HVSL600 02 1 A	HVSL600 02 1 B	HVSL600 02 1 C	HVSL600 02 1 D	HVSL600 02 1 E

# Excel|Mate Eco (HVSL 600)

## PLUG



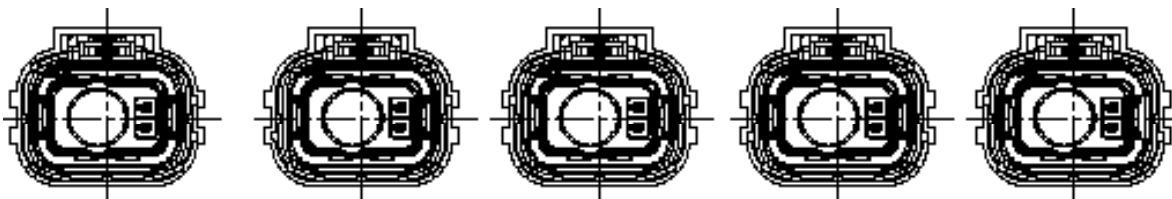
## CONTACTS

All connectors include contacts. For extra contacts, please order them separately (ref: P/N below)

### Contacts

Main contacts	HVIL	Φ12	Φ11	Φ10
P/N: C420003620	P/N: C310003614	P/N: C270003607	P/N: C2700036071	P/N: C2700036072

## INSERT ORIENTATIONS



	Coding A	Coding B	Coding C	Coding D	Coding E
P/N	HVSL600 06 1 A	HVSL600 06 1 B	HVSL600 06 1 C	HVSL600 06 1 D	HVSL600 06 1 E

## Excel|Mate Eco (HVSL630 2 POSITION CONNECTOR)



### HVSL630

**HVSL630** is a 2 position connector with a current carrying capacity from 23 to 40A and 4 to 6mm<sup>2</sup> crimping cable.

Specially designed for DC-DC, air-conditioner, and others xEV devices' equipment.

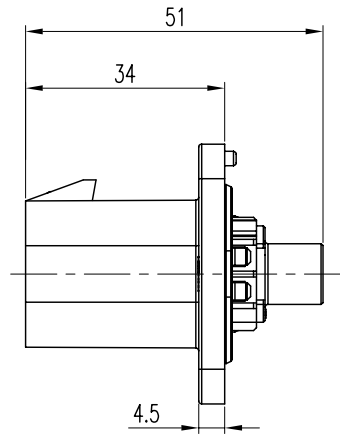
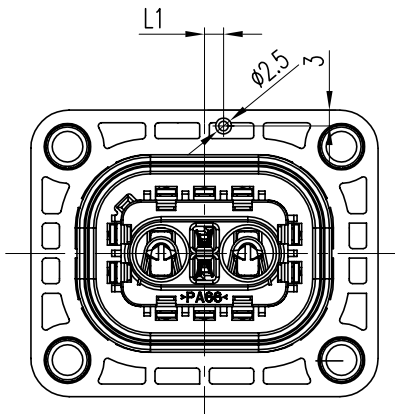
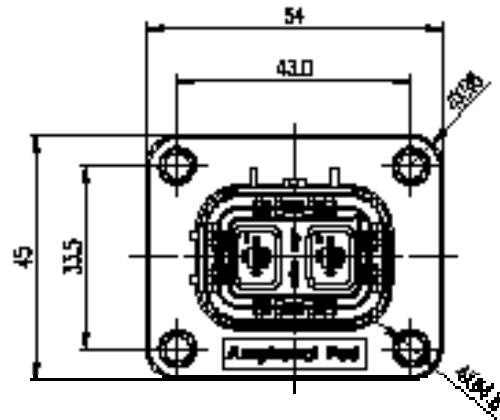
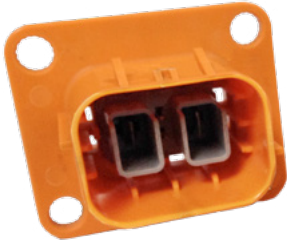
### KEY FEATURES

- Integrated internal HVIL
- Current rating up to 40A
- Two-stage, tool or thumb activated latching
- No tool required to unmate
- Sealing, IP67 (mated), IP6K9K
- Touch-proof, IP2XB
- Multiple coding positions
- CPA available

MECHANICAL	
Durability	≥ 50 mating cycles
Wire range	4 to 6 mm <sup>2</sup> shielded wire
Insertion and extraction force	< 100N
Connection type	Crimping
Latching style	Two stage, finger actuated
HVIL	Integrated
CPA	Available
ELECTRICAL	
Rated voltage	800V DC
Rated current	40A Max @ ambient temperature 70°C
Insulator resistance	> 200MΩ
Dielectric withstand voltage	3000V AC
Temperature rise	≤ 55°C
Shielding	360° from wire to device
ENVIRONMENTAL	
Sealing	IP67, IP6K9K (mated)
Touch-proof	IP2XB
Temperature range	-40°C to 125°C
Salt spray	48 hours
MATERIAL	
Terminals	Copper/copper alloy with tin plating
Housing	PA66 + GF



RECEPTACLE



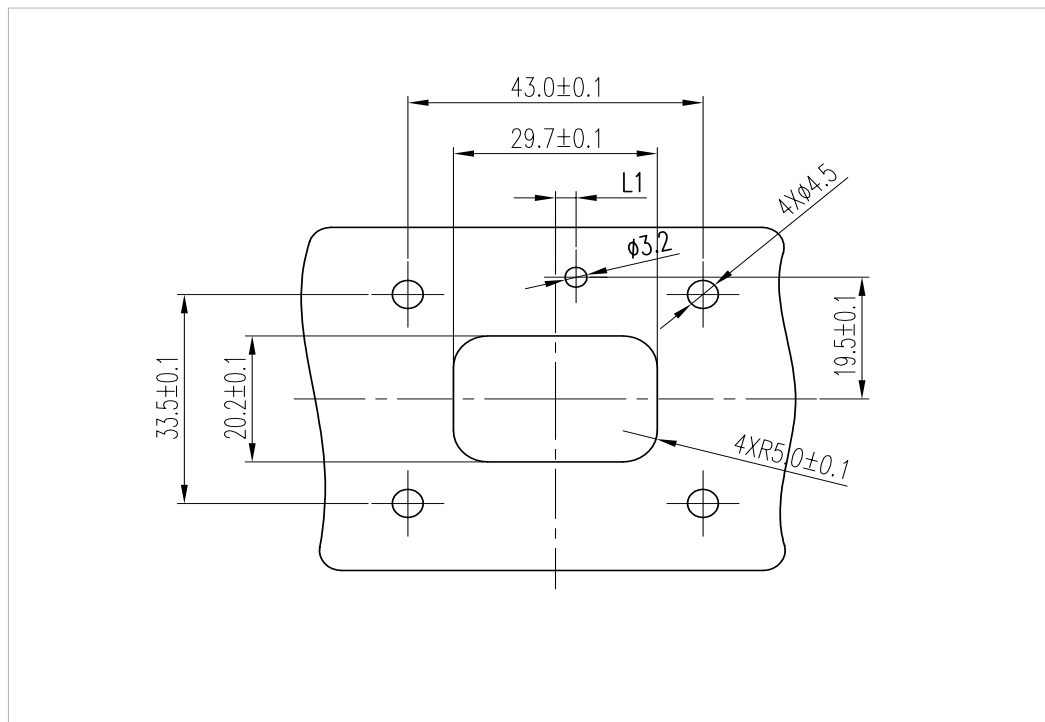
CONTACTS

All connectors include contacts. For extra contacts, please order them separately (ref: P/N below)

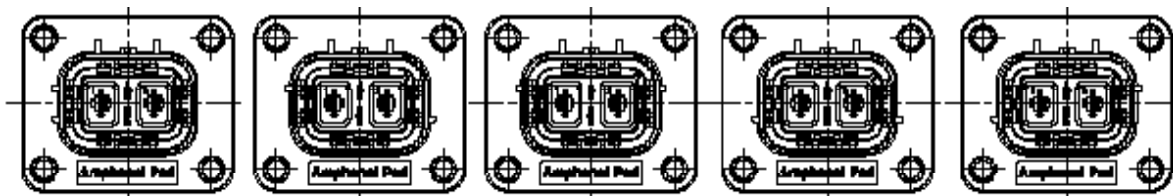
All connectors include contacts. For extra contacts, please order them separately (ref: P/N below)	
Main contacts: Crimping	HVIL contacts
P/N: C310003622	P/N: C310003613

PANEL MOUNTING DIMENSIONS

CODING	A	B	C	D	E
L1 (Receptacle)	0	3	6	-3	-6
L1 (Panel mount)	0	-3	-6	3	6



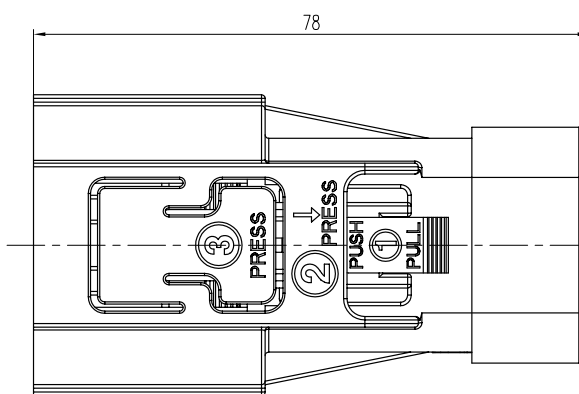
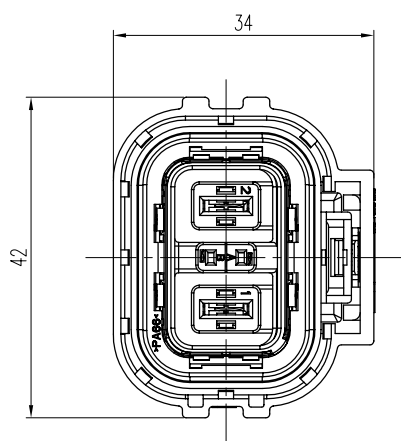
INSERT ORIENTATIONS



	Coding A	Coding B	Coding C	Coding D	Coding E
P/N	HVSL630 02 2 A	HVSL630 02 2 B	HVSL630 02 2 C	HVSL630 02 2 D	HVSL630 02 2 E

# Excel|Mate Eco (HVSL 630)

## PLUG



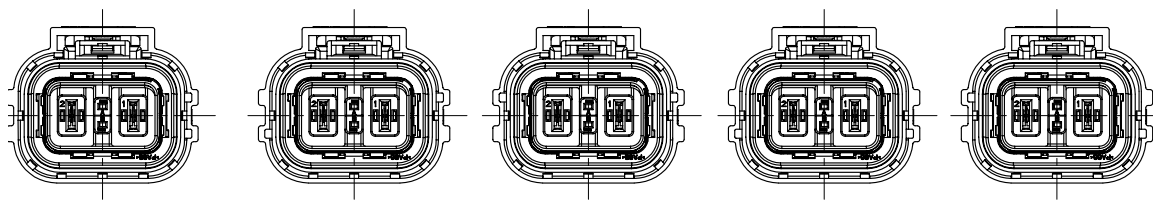
## CONTACTS

All connectors include contacts. For extra contacts, please order them separately (ref: P/N below)

### Contacts

Main contacts	HVIL contacts	Φ12	Φ11	Φ10
P/N: C310003623	P/N: C310003614	P/N: C270003607	P/N: C2700036071	P/N: C2700036072

## INSERT ORIENTATIONS



	Coding A	Coding B	Coding C	Coding D	Coding E
P/N	HVSL630 06 2 A	HVSL630 06 2 B	HVSL630 06 2 C	HVSL630 06 2 D	HVSL630 06 2 E

## Excel|Mate (HVSL633 3-pin connector)



### HVSL633

**HVSL633** is a 3 position connector with a current carrying capacity from 23 to 40A and 4 to 6mm<sup>2</sup> crimping cable.

Specially designed for DC-DC, air-conditioner, and others xEV devices' equipment.

### KEY FEATURES

Integrated internal HVIL

Current rating up to 40A

Two-stage, tool or thumb activated latching

No tool required to unmate

Sealing, IP67 (mated), IP6K9K

Touch-proof, IP2XB

Multiple coding positions

CPA available

### MECHANICAL

Durability	≥ 50 mating cycles
Wire range	4 to 6 mm <sup>2</sup> shielded wire
Insertion and extraction force	< 100N
Connection type	Crimping
Latching style	Two stage, finger actuated
HVIL	Integrated
CPA	Available

### ELECTRICAL

Rated voltage	800V DC
Rated current	40A Max @ ambient temperature 70°C
Insulator resistance	> 200MΩ
Dielectric withstand voltage	3000V AC
Temperature rise	≤ 55°C
Shielding	360° from wire to device

### ENVIRONMENTAL

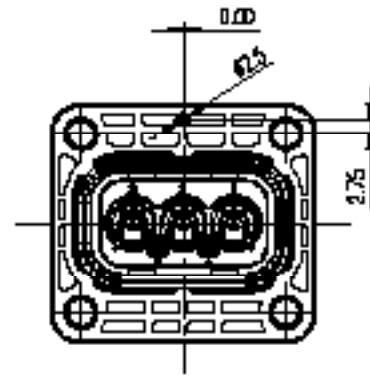
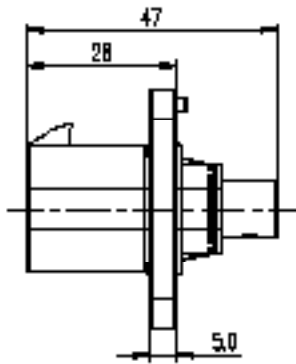
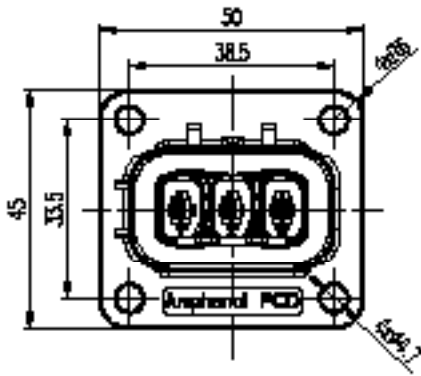
Sealing	IP67, IP6K9K (mated)
Touch-proof	IP2XB
Temperature range	-40°C to 125°C
Salt spray	48 hours

### MATERIAL

Terminals	Copper/copper alloy with tin plating
Housing	PA66 + GF

# Excel|Mate Eco (HVSL 633)

## RECEPTACLE HVSL633



## CONTACTS

All connectors do not include contacts. Please order them separately (ref: P/N below)

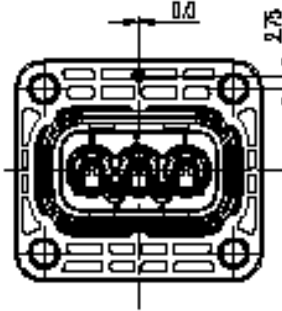
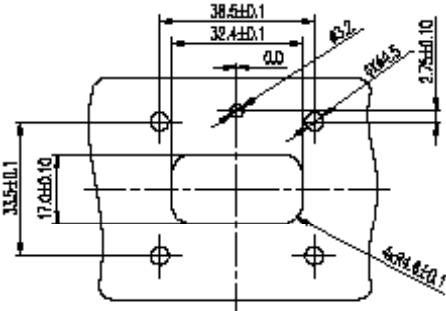
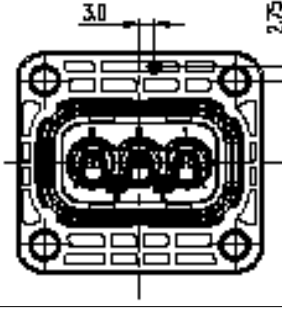
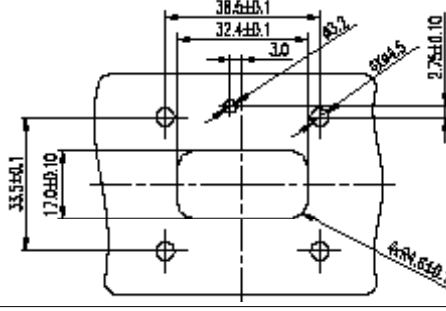
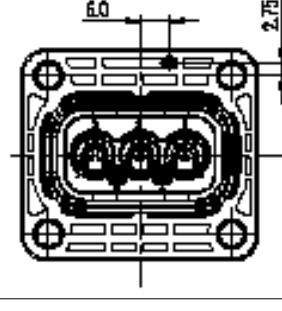
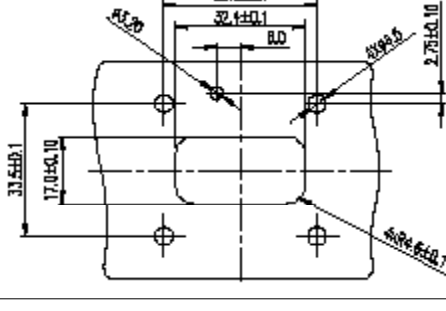
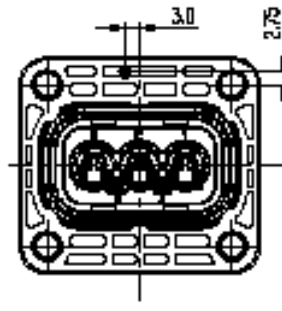
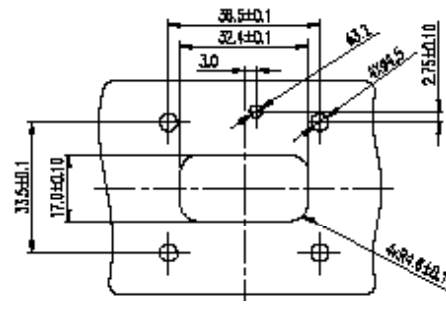
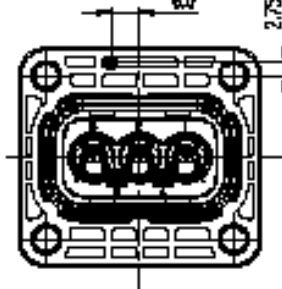
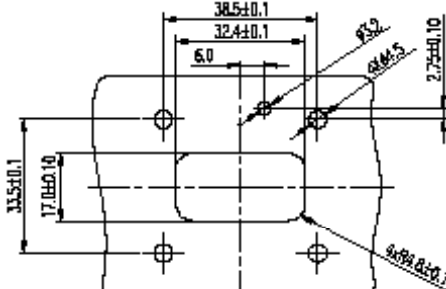
Main contacts: Crimping

P/N: C310003622

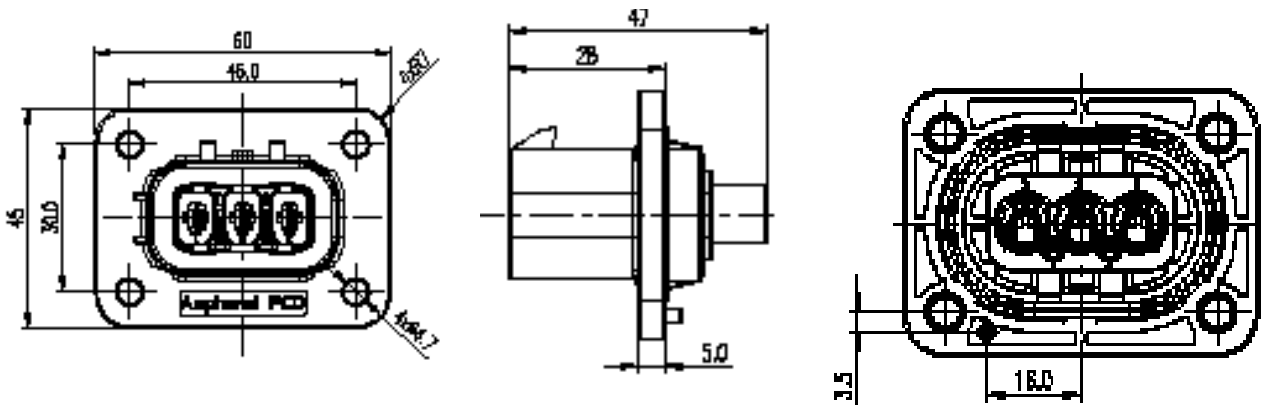
HVIL contacts

P/N: C310003614

PANEL MOUNTING DIMENSION

PART NUMBER	INSERT ORIENTATION	PANEL MOUNTED DIMENSION
HVSL633 023 A		
HVSL633 023 B		
HVSL633 023 C		
HVSL633 023 D		
HVSL633 023 E		

RECEPTACLE HVSLC633



CONTACTS

All connectors do not include contacts. Please order them separately (ref: P/N below)

Main contacts: Crimping		HVIL contacts	
P/N: C310003622		P/N: C310003614	

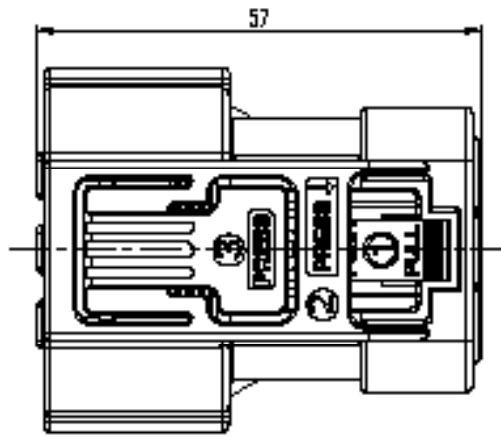
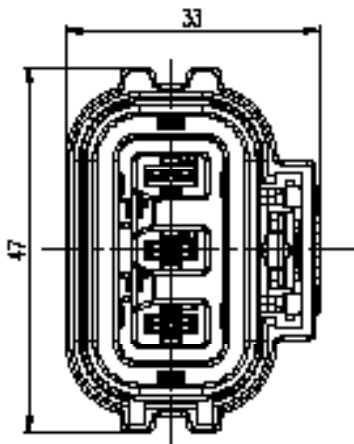
PANEL MOUNTING DIMENSION

PART NUMBER	INSERT ORIENTATION	PANEL MOUNTED DIMENSION
HVSLC633 023 A		
HVSLC633 023 B		
HVSLC633 023 C		
HVSLC633 023 D		

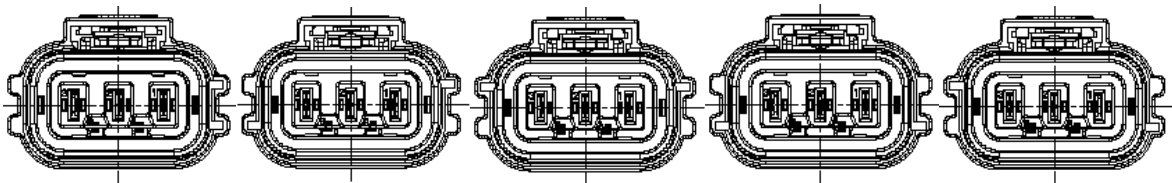


# Excel|Mate Eco (HVSL 633)

## PLUG



## INSERT ORIENTATIONS



	A	B	C	D	E
P/N	HVSL633 06 3 A	HVSL633 06 3 B	HVSL633 06 3 C	HVSL633 06 3 D	HVSL633 06 3 E

## CONTACTS

All connectors do not include contacts. Please order them separately (ref: P/N below)	
Main contacts: Crimping	HVIL contacts
P/N: C310003623	Integrated, no need to buy.

## Excel|Mate Eco (HVSL280 3 POSITION CONNECTOR)



### HVSL280

**HVSL280** is a 3 position connector with plastic housing, high voltage , integrated HVIL. It provides a current carrying capacity from 16 to 23A and 2.5 to 4mm<sup>2</sup> crimping cable.

Specially designed for DC-DC, air-conditioner, and other equipment in xEV device applications.

### KEY FEATURES

Integrated internal HVIL

Current rating up to 23A

Two-stage, tool or thumb activated latching

No tool required to unmate

Sealing, IP67 (mated), IP6K9K

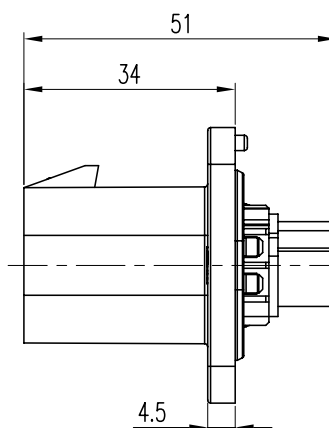
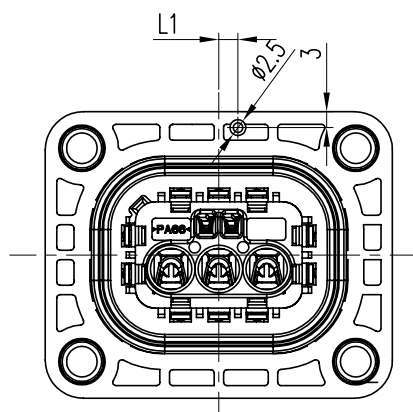
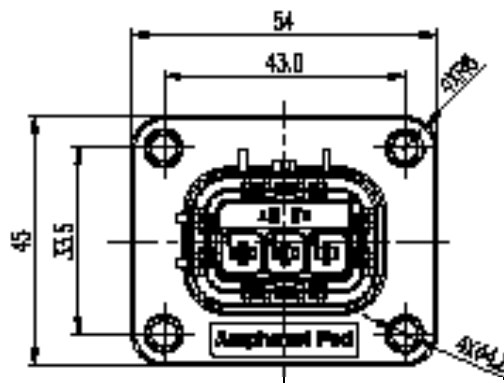
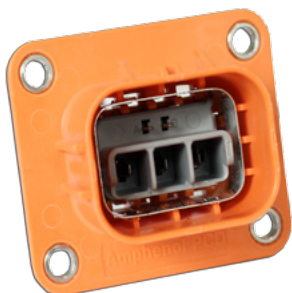
Touch-proof, IP2XB

Multiple coding positions

CPA available

MECHANICAL	
Durability	≥ 50 mating cycles
Wire range	2.5 to 4 mm <sup>2</sup> shielded wire
Insertion and extraction force	< 100N
Connection type	Crimping
Latching style	Two stage, finger actuated
HVIL	Integrated
CPA	Available
ELECTRICAL	
Rated voltage	800V DC
Rated current	23A Max @ ambient temperature 70°C
Insulator resistance	> 200MΩ
Dielectric withstand voltage	3000V AC
Temperature rise	≤ 55°C
Shielding	360° from wire to device
ENVIRONMENTAL	
Sealing	IP67, IP6K9K (mated)
Touch-proof	IP2XB
Temperature range	-40°C to 125°C
Salt spray	48 hours
MATERIAL	
Terminals	Copper/copper alloy with tin plating
Housing	PA66 + GF

RECEPTACLE



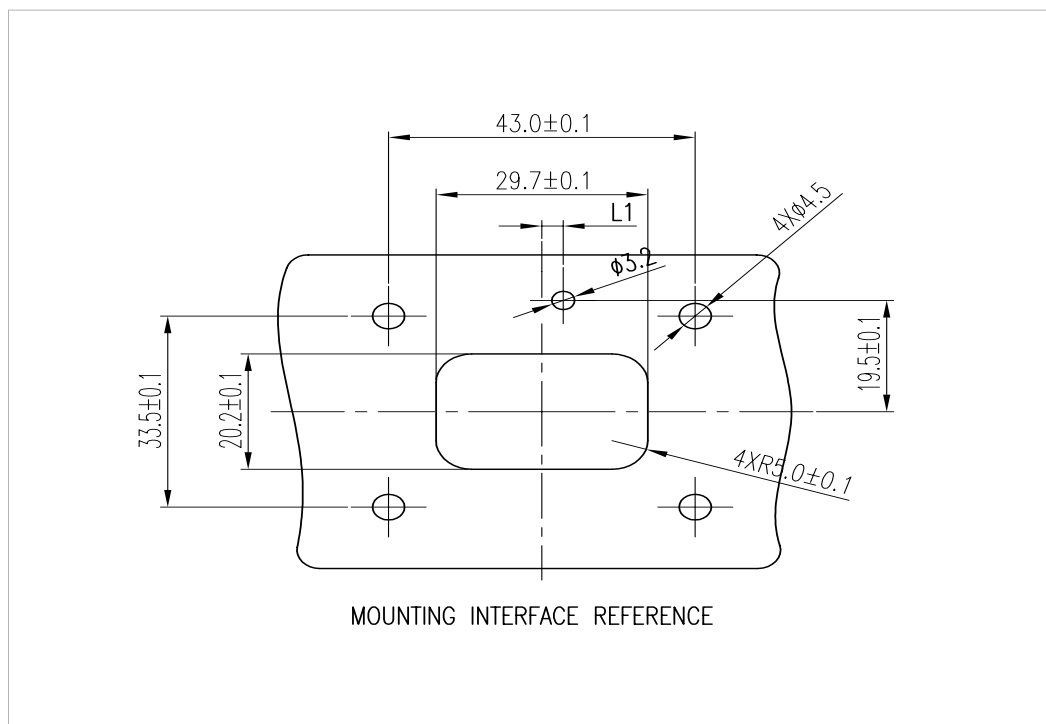
CONTACTS

All connectors include contacts. For extra contacts, please order them separately (ref: P/N below)

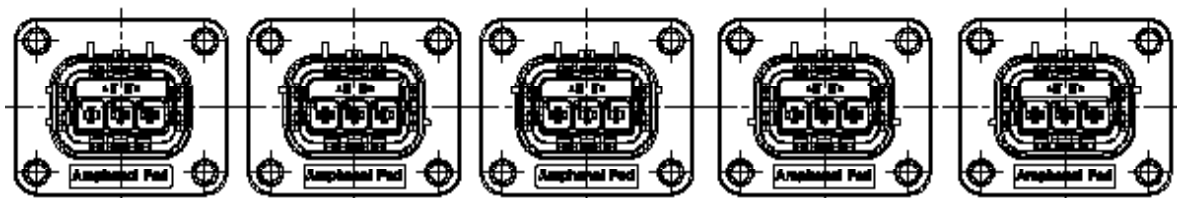
Main contacts: Crimping P/N: C310003611	HVIL contacts P/N: C310003613
--	----------------------------------

PANEL MOUNTING DIMENSIONS

CODING	A	B	C	D	E
L1 (Receptacle)	0	3	6	-3	-6
L1 (Panel mount)	0	-3	-6	3	6



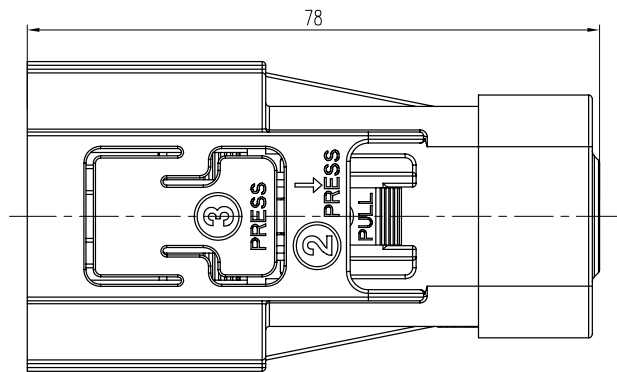
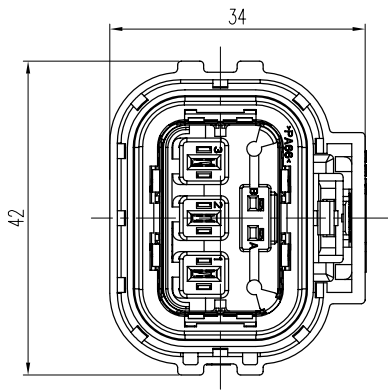
INSERT ORIENTATIONS



	Coding A	Coding B	Coding C	Coding D	Coding E
P/N	HVSL280 02 3 A	HVSL280 02 3 B	HVSL280 02 3 C	HVSL280 02 3 D	HVSL280 02 3 E

# Excel|Mate Eco (HVSL 280)

## PLUG



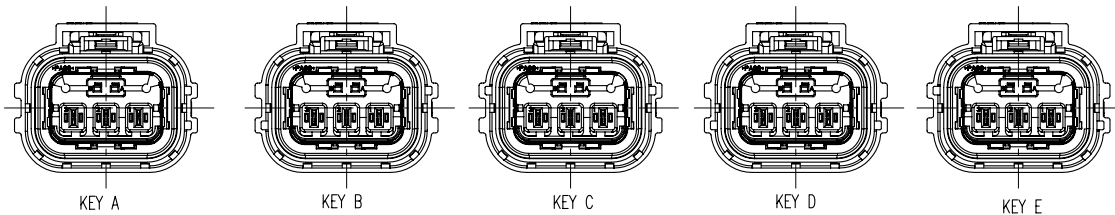
## CONTACTS

All connectors include contacts. For extra contacts, please order them separately (ref: P/N below)

### Contacts

Main contacts	HVIL contacts	Φ12	Φ11	Φ10
P/N: C310003612	P/N: C310003614	P/N: C270003607	P/N: C2700036071	P/N: C2700036072

## INSERT ORIENTATIONS



	Coding A	Coding B	Coding C	Coding D	Coding E
P/N	HVSL280 06 3 A	HVSL280 06 3 B	HVSL280 06 3 C	HVSL280 06 3 D	HVSL280 06 3 E

## Excel|Mate Eco (HVSL282 2 pins connector)



### HVSL282

**HVSL282** is a 2 position connector with plastic housing, high voltage, integrated HVIL. It provides a current carrying capacity from 16 to 23A and 2.5 to 4mm<sup>2</sup> crimping cable.

Specially designed for DC-DC, air-conditioner, and other equipment in xEV device applications.

### KEY FEATURES

Integrated internal HVIL

Current rating up to 23A

Two-stage, tool or thumb activated latching

No tool required to unmate

Sealing, IP67 (mated), IP6K9K

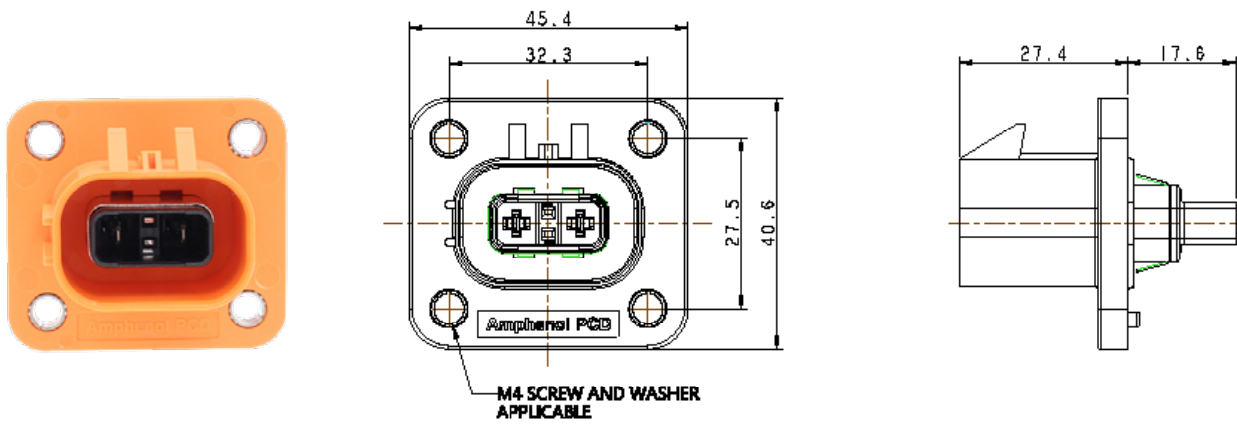
Touch-proof, IP2XB

Multiple coding positions

CPA available

MECHANICAL	
Durability	≥ 50 mating cycles
Wire range	2.5 to 4 mm <sup>2</sup> shielded wire
Insertion and extraction force	< 100N
Connection type	Crimping
Latching style	Two stage, finger actuated
HVIL	Integrated
CPA	Available
ELECTRICAL	
Rated voltage	800V DC
Rated current	23A Max @ ambient temperature 70°C
Insulator resistance	> 200MΩ
Dielectric withstand voltage	3000V AC
Temperature rise	≤ 55°C
Shielding	360° from wire to device
ENVIRONMENTAL	
Sealing	IP67, IP6K9K (mated)
Touch-proof	IP2XB
Temperature range	-40°C to 125°C
Salt spray	48 hours
MATERIAL	
Terminals	Copper/copper alloy with tin plating
Housing	PA66 + GF

RECEPTACLE

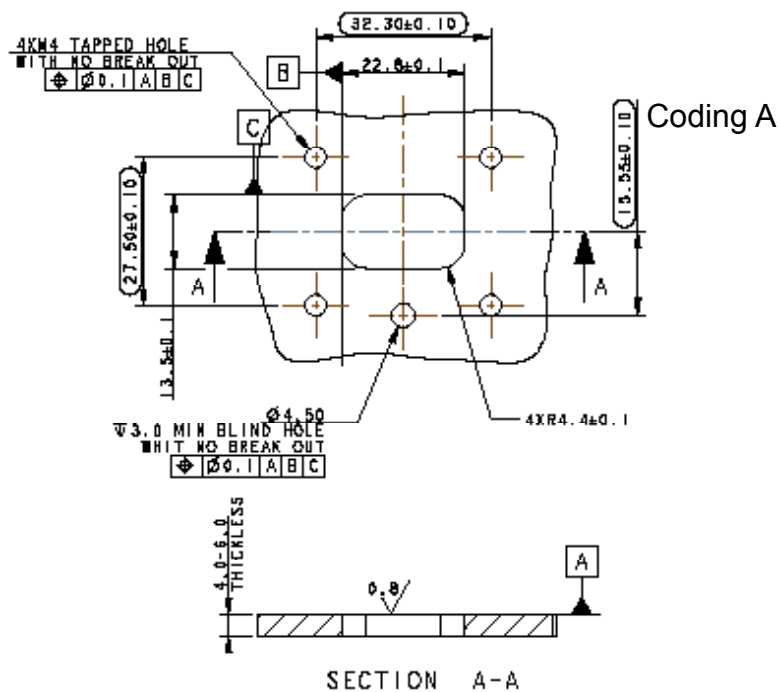


CONTACTS

All connectors do not include contacts. Please order them separately (ref: P/N below)

Main contacts: Crimping	HVIL contacts
P/N: C310003611	P/N: C310003614

PANEL MOUNTING DIMENSION

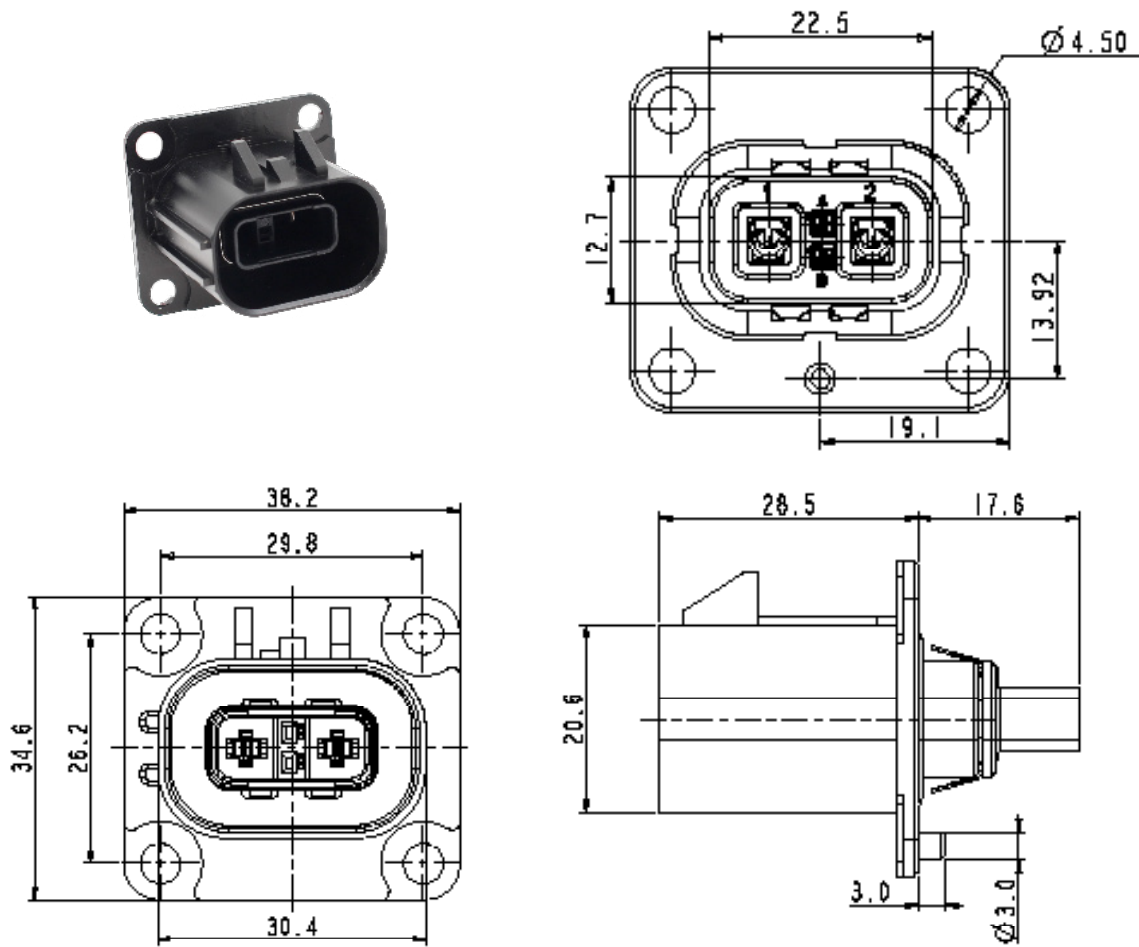


PANEL MOUNTING HOLES POSITIONS

PART NUMBER	INSERT ORIENTATION	PANEL MOUNTING DIMENSION
HVSL282 02 A		
HVSL282 02 B		
HVSL282 02 C		
HVSL282 02 D		
HVSL282 02 E		
HVSL282 02 F		

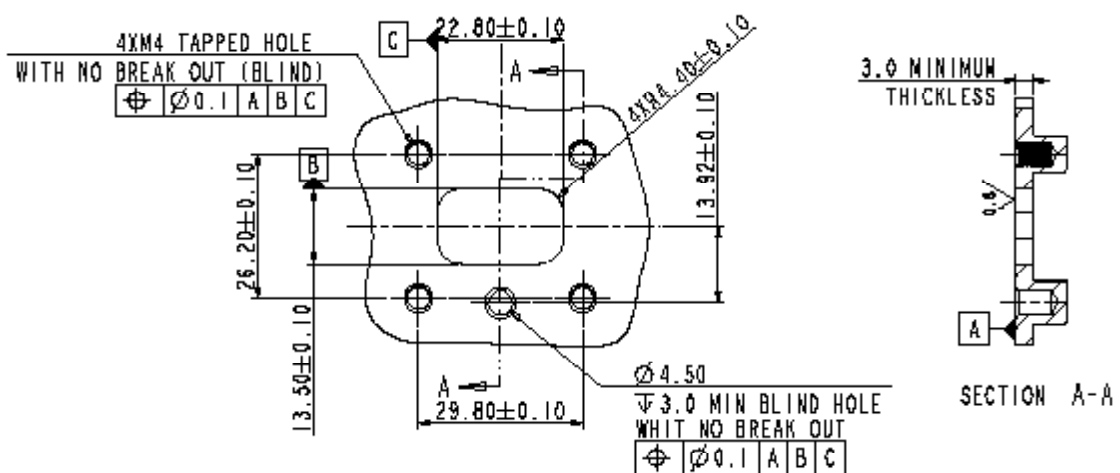


RECEPTACLE: METAL SHELL

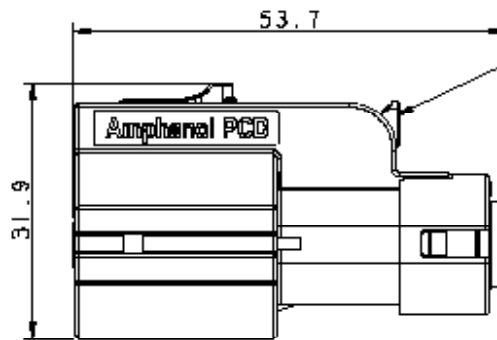
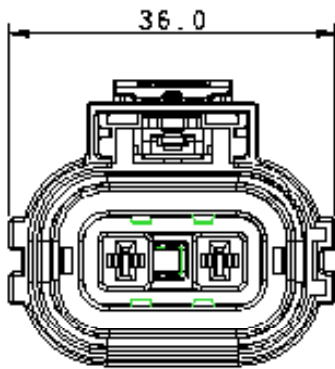


PANEL MOUNTING DIMENSION

### PANEL CUT-OUT REFERENCE



PLUG



DELIVERY CONDITION:  
CPA ON LOCKED POSITION

CONTACTS

All connectors do not include contacts. Please order them separately (ref: P/N below)

Contacts

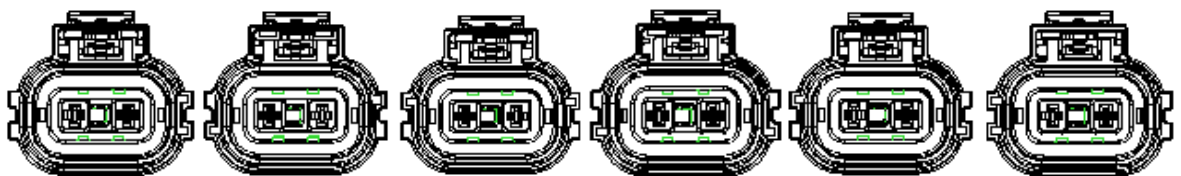
Main contacts : Crimping

HVIL contacts

P/N: C310003612

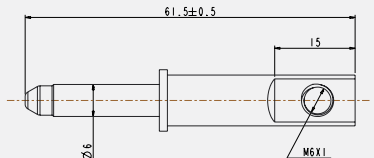
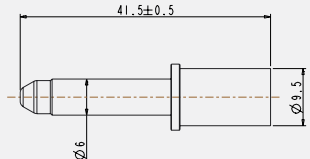
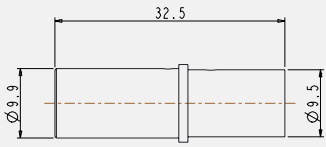
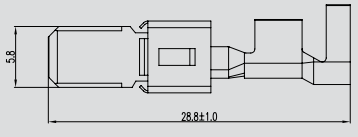
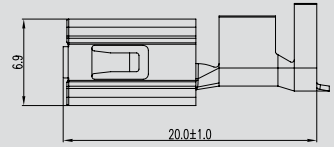
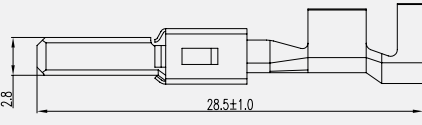
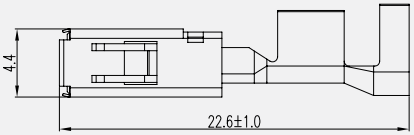
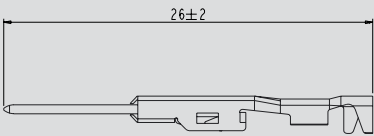
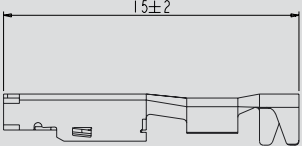
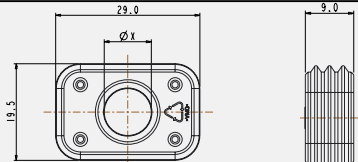
Integrated, no need to buy.

INSERT ORIENTATIONS



	A	B	C	D	E	F
P/N	HVSL282 06 2 A	HVSL282 06 2 B	HVSL282 06 2 C	HVSL282 06 2 D	HVSL282 06 2 E	HVSL282 06 2 F

## ATTACHMENT: CONTACT

Name	Contact P/N & Wire Size	Drawing
Pin contact End with bus-bar  For HVSL600021XXH6	C420003625  25mm <sup>2</sup> unshielded wire	
Pin contact Crimp for wire  For HVSL600021XX25	C420003621  25mm <sup>2</sup> unshielded wire	
Socket contact  For HVSL600061XX25XX	C420003620  25mm <sup>2</sup> shielded wire	
Pin contact  For HVSL630022XX06	C310003622  4 to 6mm <sup>2</sup> unshielded wire	
Socket contact  For HVSL630062XX06XX	C310003623  4 to 6mm <sup>2</sup> 2 pin shielded cable	
Pin contact  For HVSL280023XX04	C310003611  2.5 to 4mm <sup>2</sup> unshielded cable	
Socket contact  For HVSL280063XX04XX	C310003612  2.5 to 4mm <sup>2</sup> 3 pin shielded cable	
Pin signal contact For: HVSL600021XX25 HVSL630022XX06 HVSL280023XX04	C310003613  0.5mm <sup>2</sup> unshielded wire	
Socket signal contact For: HVSL600061XX25XX HVSL630062XX06XX HVSL280063XX04XX	C310003614  0.5mm <sup>2</sup> unshielded wire	
Sealing gasket For: HVSL600061XX25XX HVSL630062XX06XX HVSL280063XX04XX	C270003607 OD12mm wire C2700036071 OD11mm wire C2700036072 OD10mm wire	

**Notes:** All connectors include contacts. For extra contacts, please order them separately (ref: P/N above)

## HOW TO ORDER: PLUG

	HVSL600	06	1	A	0	25	I
<b>Product Series:</b>							
	<b>HVSL600</b> <b>HVSL630</b> <b>HVSL633</b> <b>HVSL280</b> <b>HVSL282</b>						
<b>Product type:</b>							
	<b>06:</b> Straight plug						
<b>Position:</b>							
	<b>1:</b> 1 position <b>2:</b> 2 positions <b>3:</b> 3 positions						
<b>Coding / Alternate position:</b>							
	<b>A:</b> Coding A <b>B:</b> Coding B <b>C:</b> Coding C <b>D:</b> Coding D <b>E:</b> Coding E						
<b>Inter-lock:</b>							
	<b>0:</b> Without Inter-lock <b>1:</b> With Inter-lock						
<b>Conductor size:</b>							
	<b>03:</b> 2.5mm <sup>2</sup> cable (For HVSL280) <b>04:</b> 4mm <sup>2</sup> cable (For HVSL280) <b>06:</b> 6.0mm <sup>2</sup> cable (For HVSL630) <b>25:</b> 25mm <sup>2</sup> cable (For HVSL600)						
<b>Wire type:</b>							
	<b>I:</b> Individually shielded wire <b>M:</b> Multicore shielded wire						

## HOW TO ORDER: RECEPTACLE

	HVSL600	02	1	A	0	(H6)
<b>Product Series:</b>						
	<b>HVSL600</b> <b>HVSL630</b> <b>HVSL633</b> <b>HVSL280</b> <b>HVSL282</b>					
<b>Product type:</b>						
	<b>02:</b> Box mounted receptacle					
<b>Position:</b>						
	<b>1:</b> 1 position <b>2:</b> 2 positions <b>3:</b> 3 positions					
<b>Coding / Alternate position:</b>						
	<b>A:</b> Coding A <b>B:</b> Coding B <b>C:</b> Coding C <b>D:</b> Coding D <b>E:</b> Coding E					
<b>Inter-lock (Not available for HVSL282):</b>						
	<b>0:</b> Without Inter-lock <b>1:</b> With Inter-lock					
	<b>H6:</b> OT terminal, stud hole is M6 ((For HVSL600 receptacle)					

# Excel|Mate PT (HVPT)

## Excel|Mate PT (HVPT - PASS-THROUGH WITH CABLE GLAND)

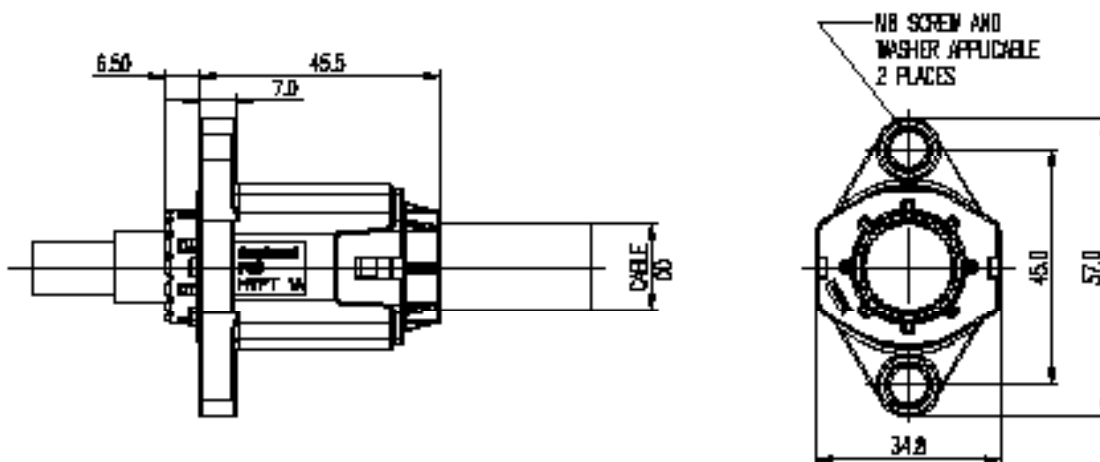
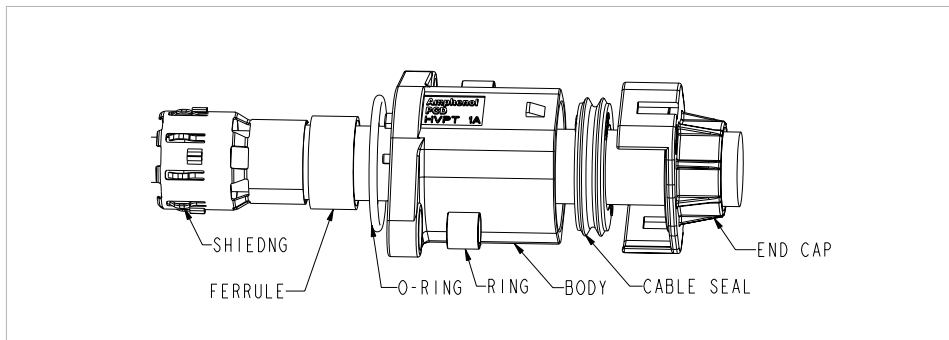


MECHANICAL	
Wire range	25 to 70 mm <sup>2</sup> shielded wires
Connection type	Crimping
ELECTRICAL	
Rated voltage	1000V DC
Rated current	250A Max @ ambient temperature 70°C
Dielectric withstand voltage	3000V AC
Shielding	360° from wire to device
ENVIRONMENTAL	
Sealing	IP67, IP6K9K (mated)
Temperature range	-40°C to 125°C
Salt spray	48 hours
MATERIAL	
Housing	PA66 + GF

### KEY FEATURES

- 1 to 3 positions available
- Light in weight with plastic shell
- Easy to install, reliable connection
- Sealing, IP67 (mated), IP6K9K
- Multiple coding positions
- 360° shielded from wire to device
- Economical

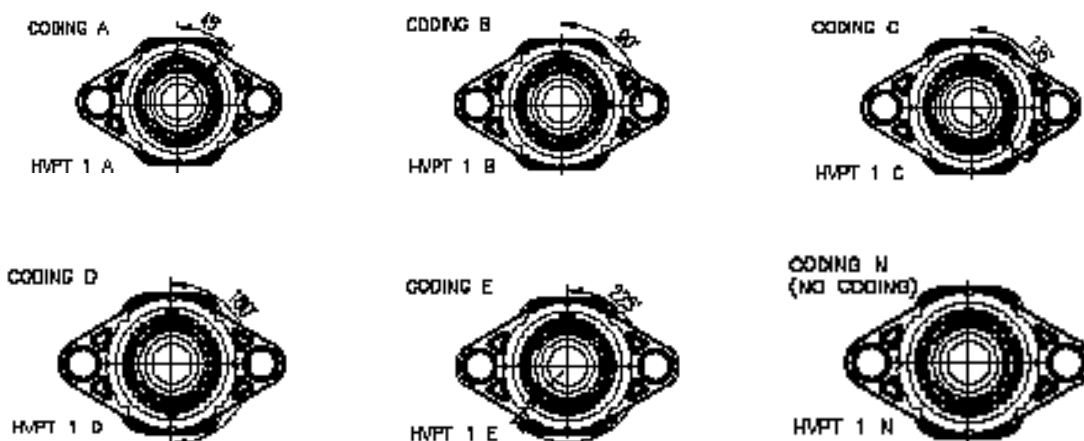
## 1 POSITION PASS-THROUGH



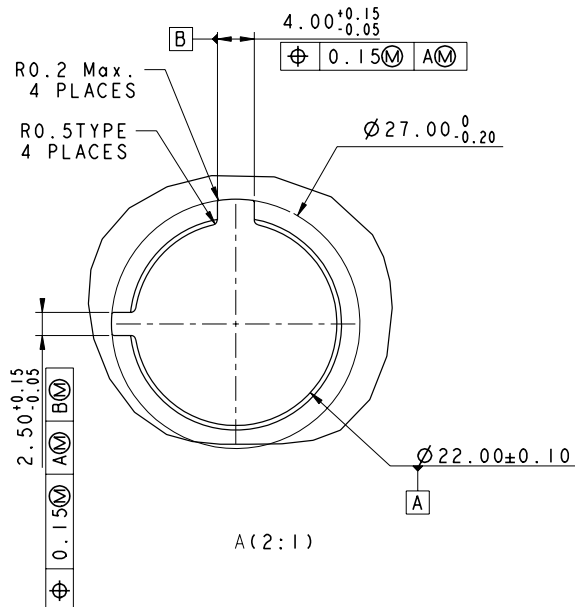
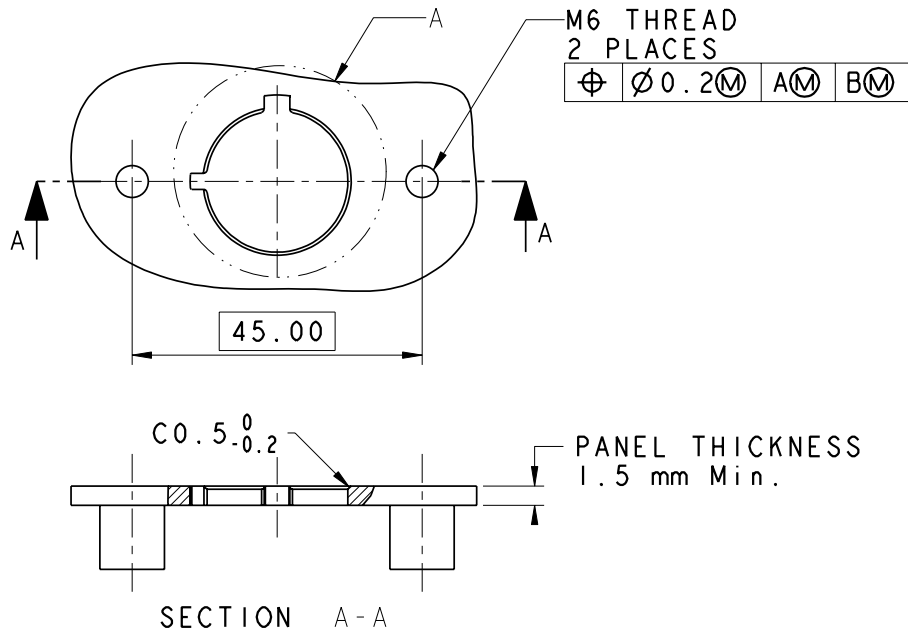
## CONTACTS

Part number	Conductor cross section (mm <sup>2</sup> )	Cable OD
HVPT 1 X 70	70	19.0±0.3
HVPT 1 X 50	50	16.5±0.3
HVPT 1 X 35	35	14.2±0.3
HVPT 1 X 25	25	11.9±0.3

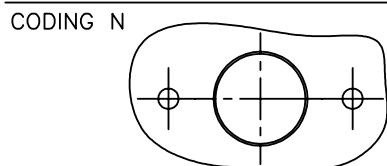
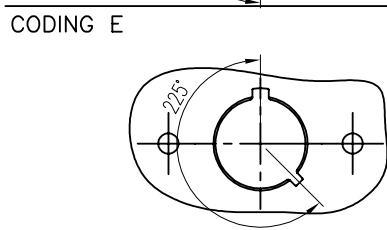
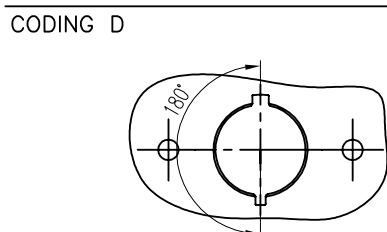
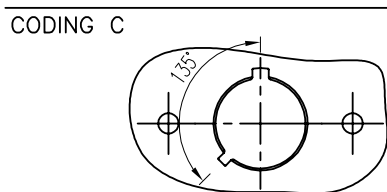
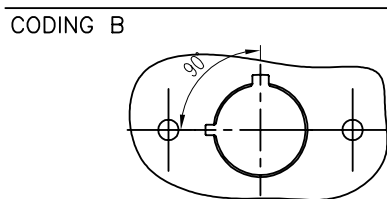
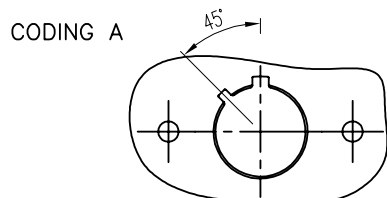
## INSERT ORIENTATIONS



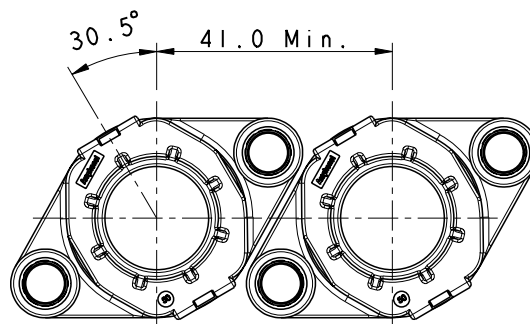
PANEL MOUNTING DIMENSIONS



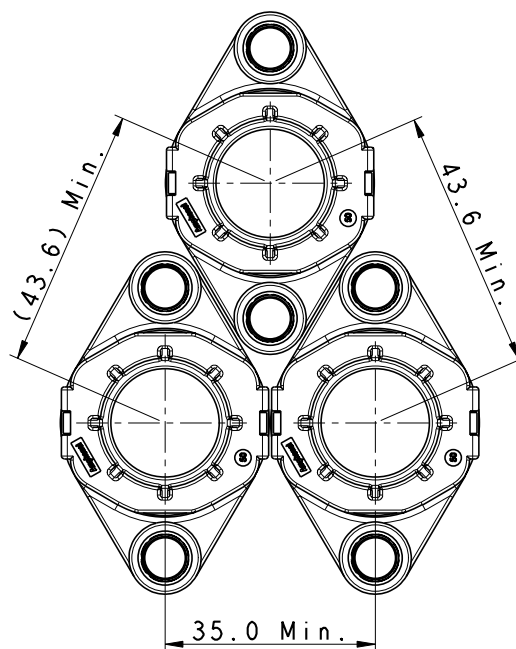
PANEL MOUNTING DIMENSIONS



RECOMMENDED LAYOUT FOR 2 UNITS



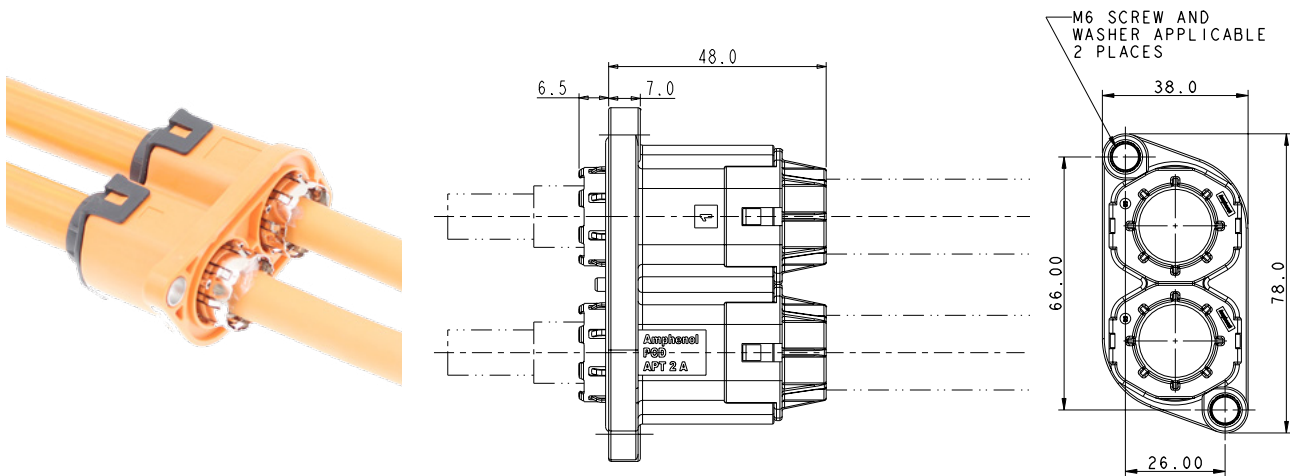
RECOMMENDED LAYOUT FOR 3 UNITS





# Excel|Mate PT (HVPT)

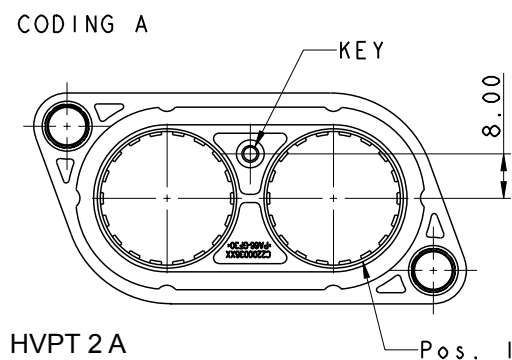
## 2 POSITION PASS-THROUGH



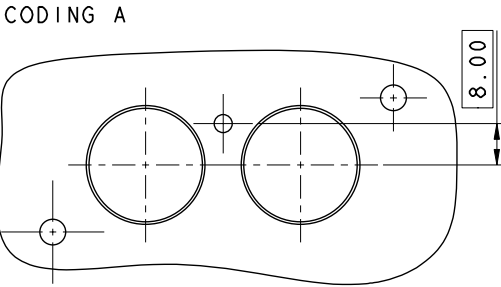
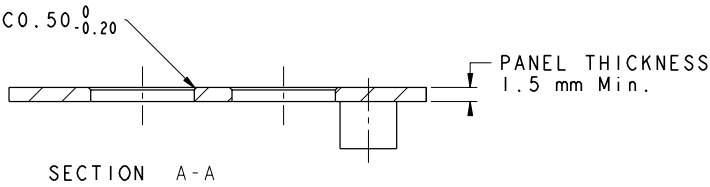
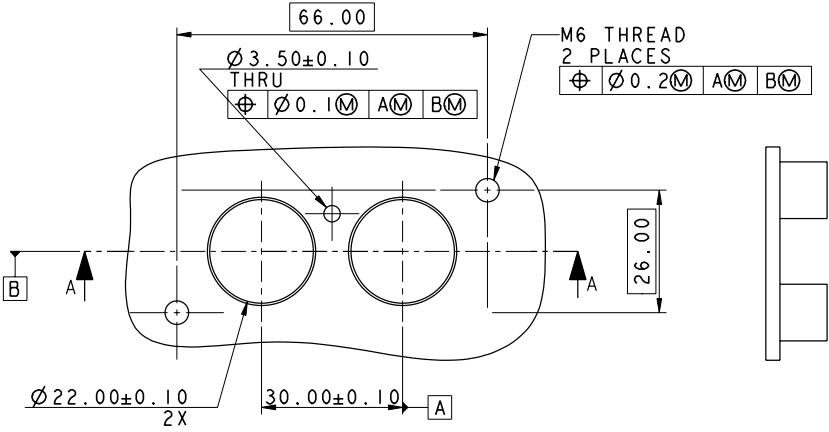
## CONTACTS

Part number	Conductor cross section (mm <sup>2</sup> )	Cable OD
HVPT 2 X 70	70	19.0±0.3
HVPT 2 X 50	50	16.5±0.3
HVPT 2 X 35	35	14.2±0.3
HVPT 2 X 25	25	11.9±0.3

## INSERT ORIENTATIONS

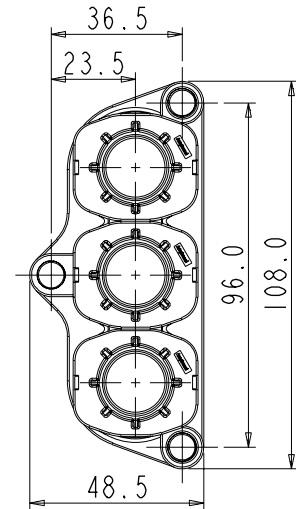
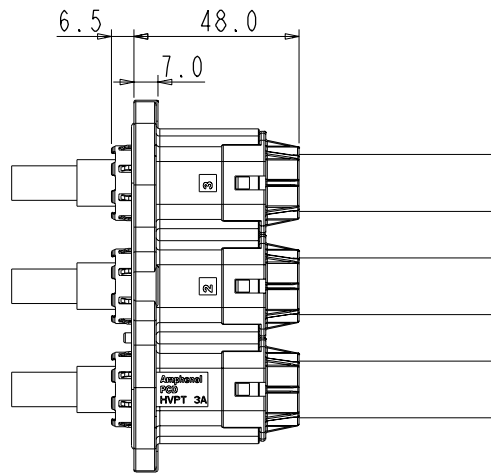
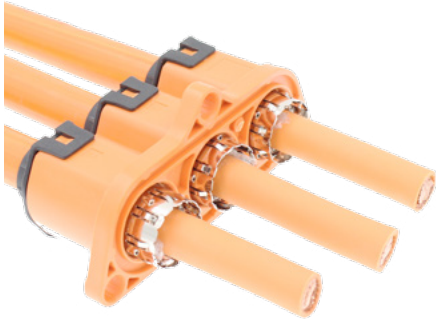


PANEL MOUNTING DIMENSIONS



# Excel|Mate PT (HVPT)

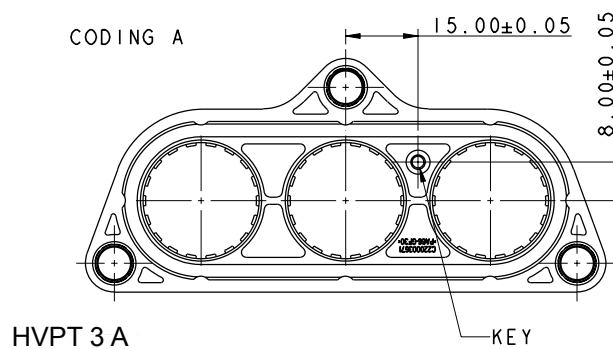
## 3 POSITION PASS-THROUGH



## CONTACTS

Part number	Conductor cross section (mm <sup>2</sup> )	Cable OD
HVPT 3 X 70	70	19.0±0.3
HVPT 3 X 50	50	16.5±0.3
HVPT 3 X 35	35	14.2±0.3
HVPT 3 X 25	25	11.9±0.3

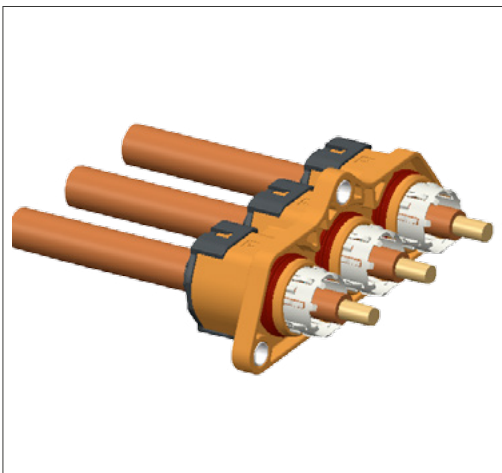
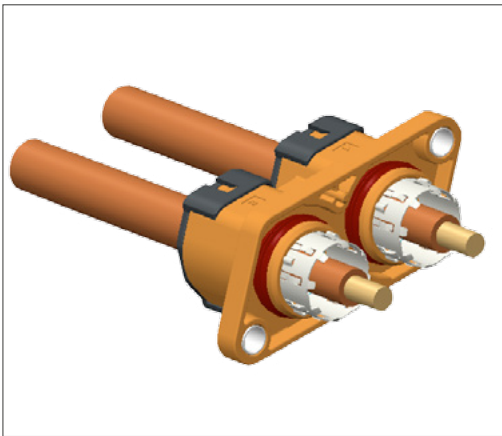
## INSERT ORIENTATIONS





# Excel|Mate PT (HVPT B)

## HVPT B PASS-THROUGH

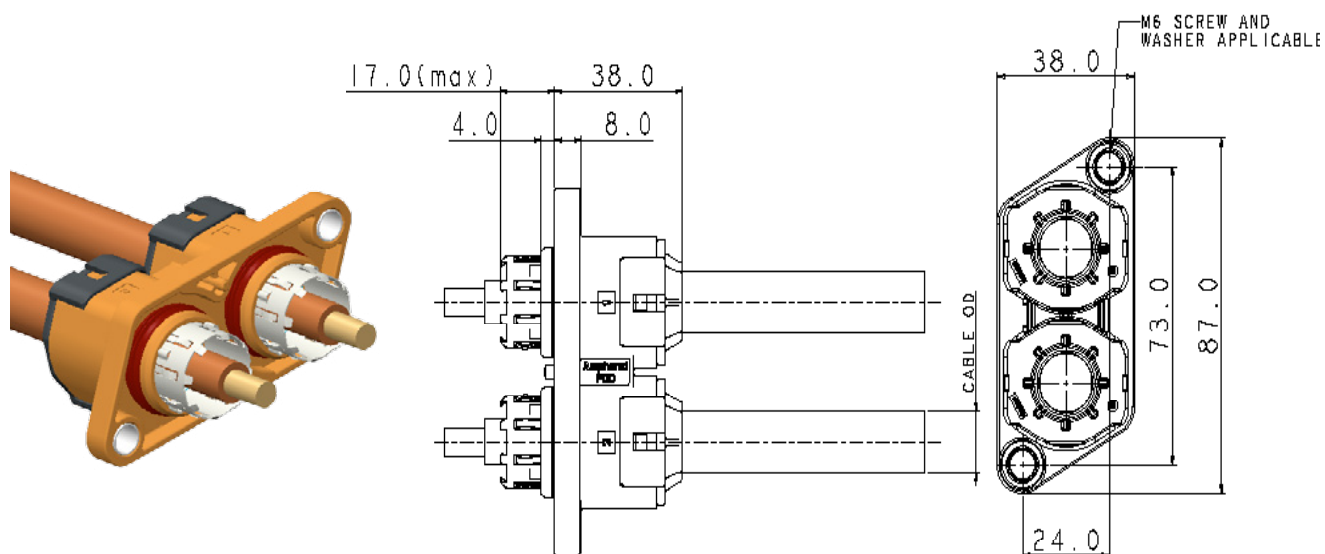


MECHANICAL	
Wire range	25 to 70 mm <sup>2</sup> shielded wires
Connection type	Crimping
ELECTRICAL	
Rated voltage	1000V DC
Rated current	250A Max @ ambient temperature 70°C
Dielectric withstand voltage	3000V AC
Shielding	360° from wire to device
ENVIRONMENTAL	
Sealing	IP67, IP6K9K (mated)
Temperature range	-40°C to 125°C
Salt spray	48 hours
MATERIAL	
Housing	PA66 + GF

### KEY FEATURES

- 2 & 3 positions available
- Light in weight with plastic shell
- Easy to install, reliable connection
- Sealing, IP67 (mated), IP6K9K
- Multiple coding positions
- 360° shielded from wire to device
- Economical

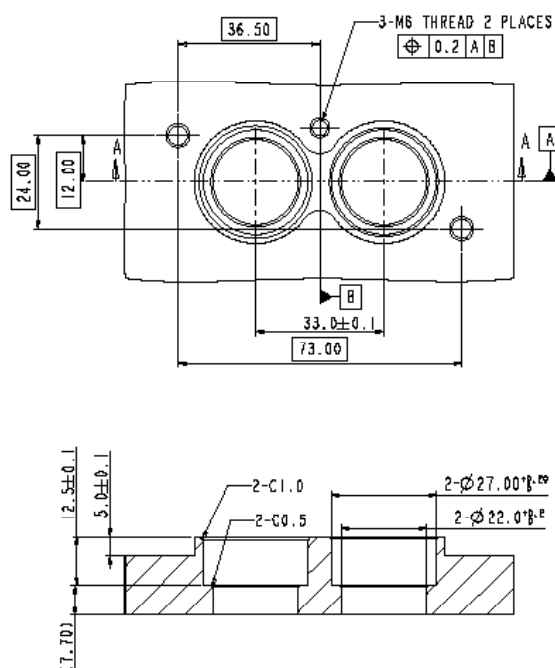
## HVPTB 2 POSITION PASS-THROUGH



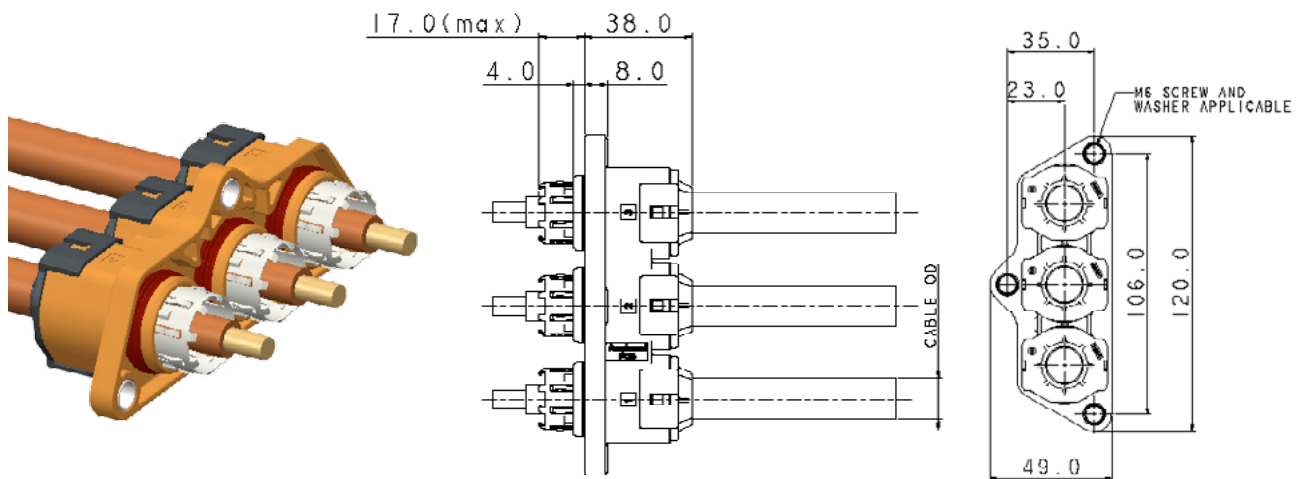
## PART NUMBER

Part number	Conductor cross section (mm <sup>2</sup> )	Cable OD
HVPTB 2 B 70	70	19.0±0.3
HVPTB 2 B 50	50	16.5±0.3
HVPTB 2 B 35	35	14.2±0.3
HVPTB 2 B 25	25	11.9±0.3

## PANEL MOUNTING DIMENSIONS



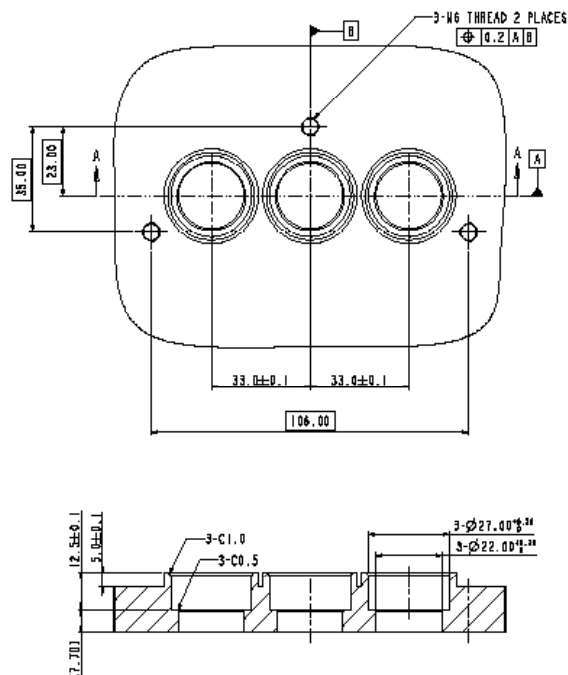
## HVPTB 3 POSITION PASS-THROUGH



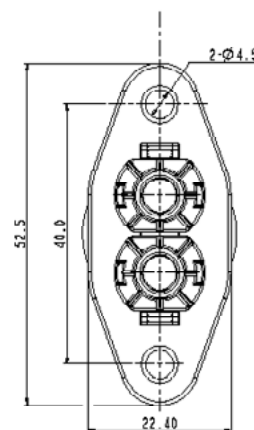
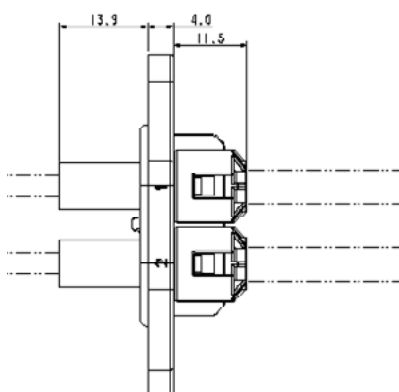
### PART NUMBER

Part number	Conductor cross section (mm <sup>2</sup> )	Cable OD
HVPTB 3 N 70	70	19.0±0.3
HVPTB 3 N 50	50	16.5±0.3
HVPTB 3 N 35	35	14.2±0.3
HVPTB 3 N 25	25	11.9±0.3

### PANEL MOUNTING DIMENSIONS



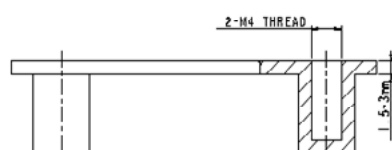
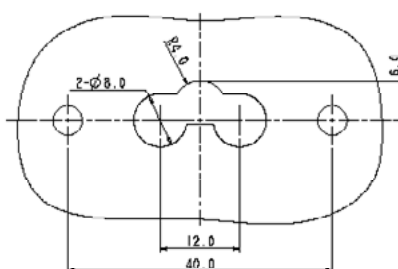
## HVPTB 2A POSITION PASS-THROUGH



## PART NUMBER

Part number	Conductor cross section (mm <sup>2</sup> )	Cable OD (mm)
HVPTB 2 A 06	6.0	6.1 to 6.7
HVPTB 2 A 04	4.0	5.1 to 5.7
HVPTB 2 A 02	2.5 / 3.0	4.3 to 4.8

## PANEL MOUNTING DIMENSIONS

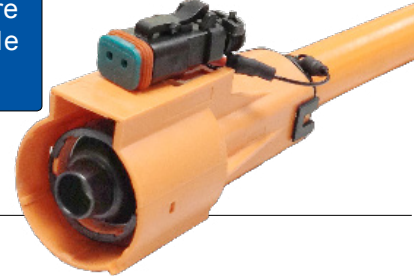




# DERATING CURVE

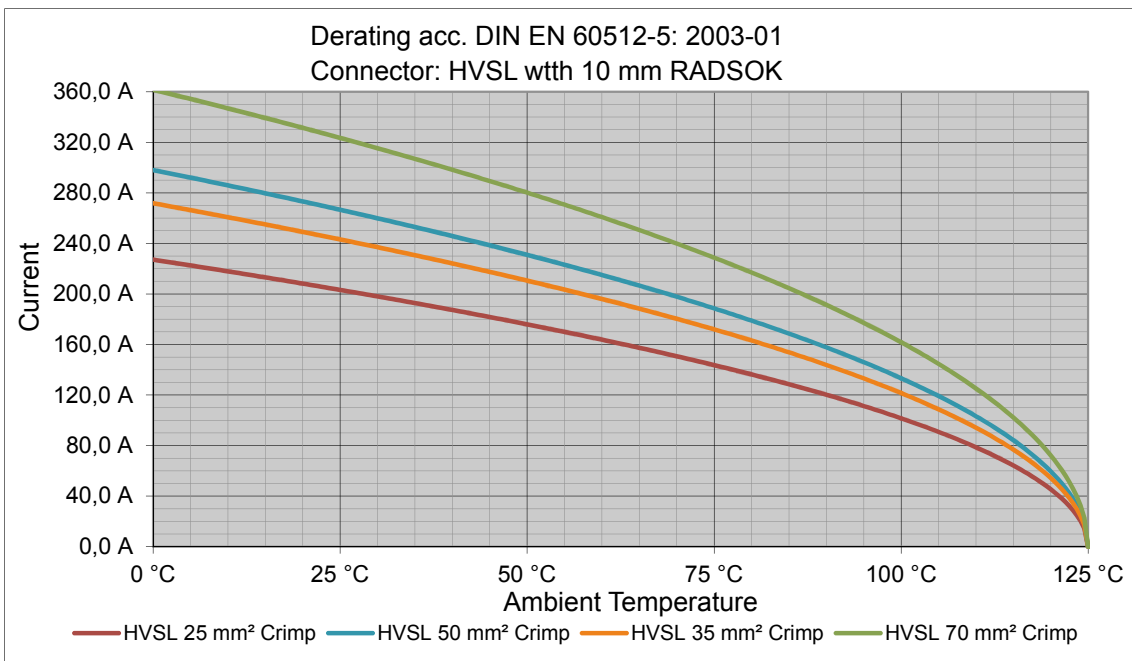
## HVSL SERIES PERFORMANCES

The following derating curves are the results of tests, which were carried out on complete connectors and not only on a single conductor or fuse.

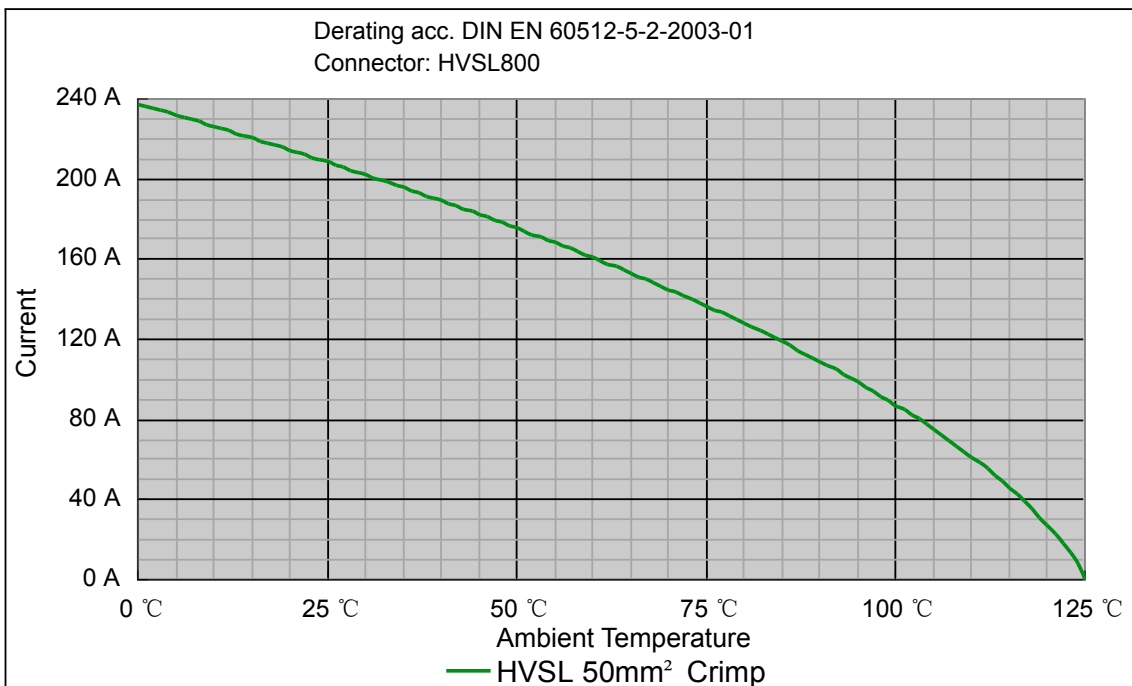


### DERATING CURVE

#### HVSL1000 | Test carried out on the complete connector

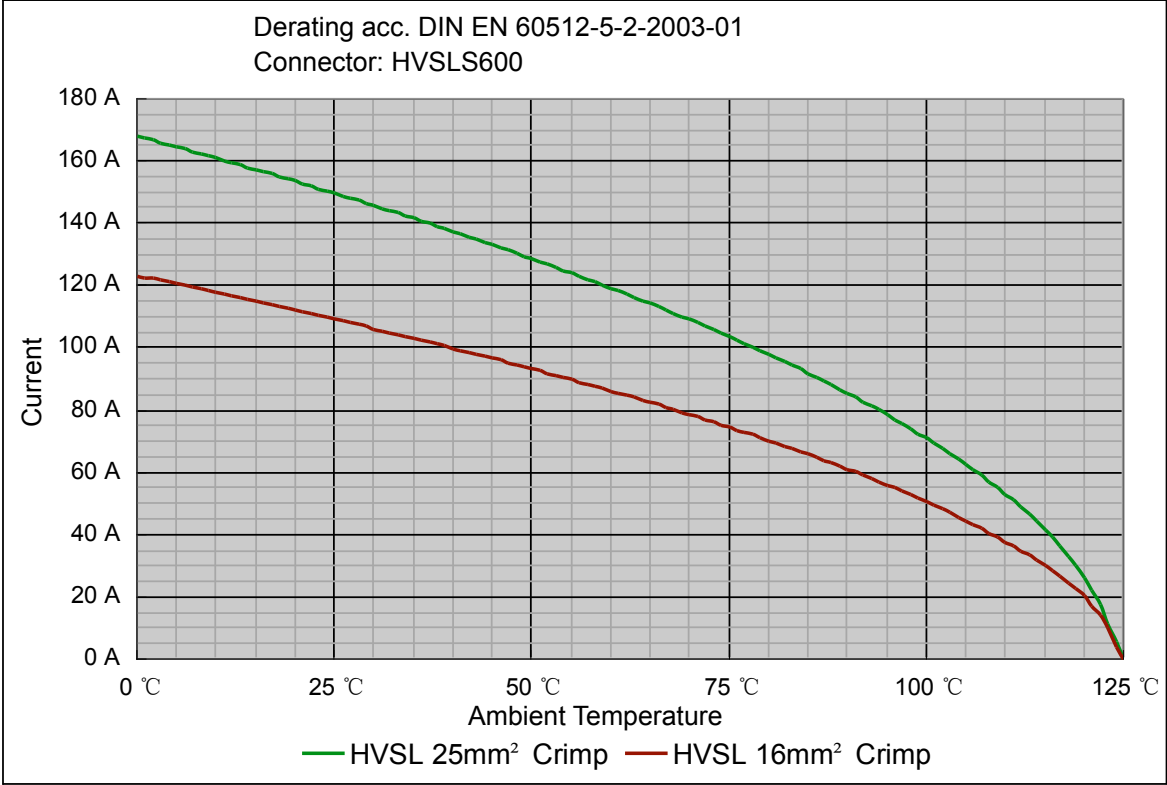


#### HVSL800 | Test carried out on the complete connector

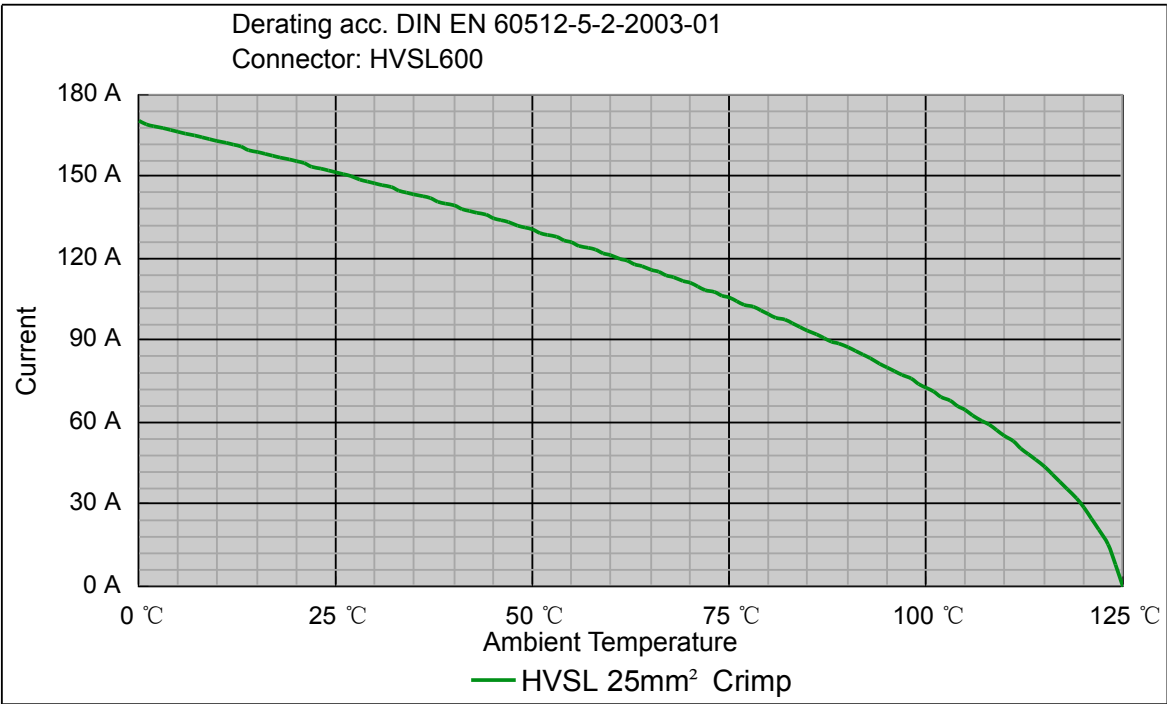


DERATING CURVE

HVSL600 | Test carried out on the complete connector



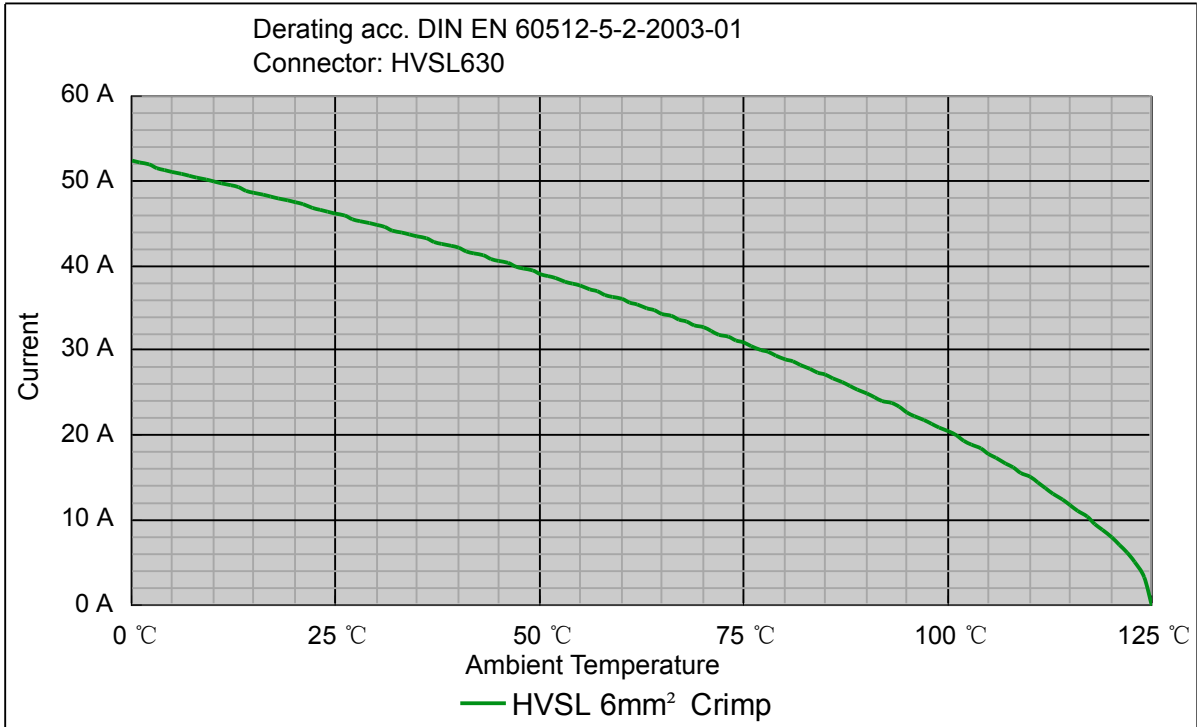
HVSL600 | Test carried out on the complete connector



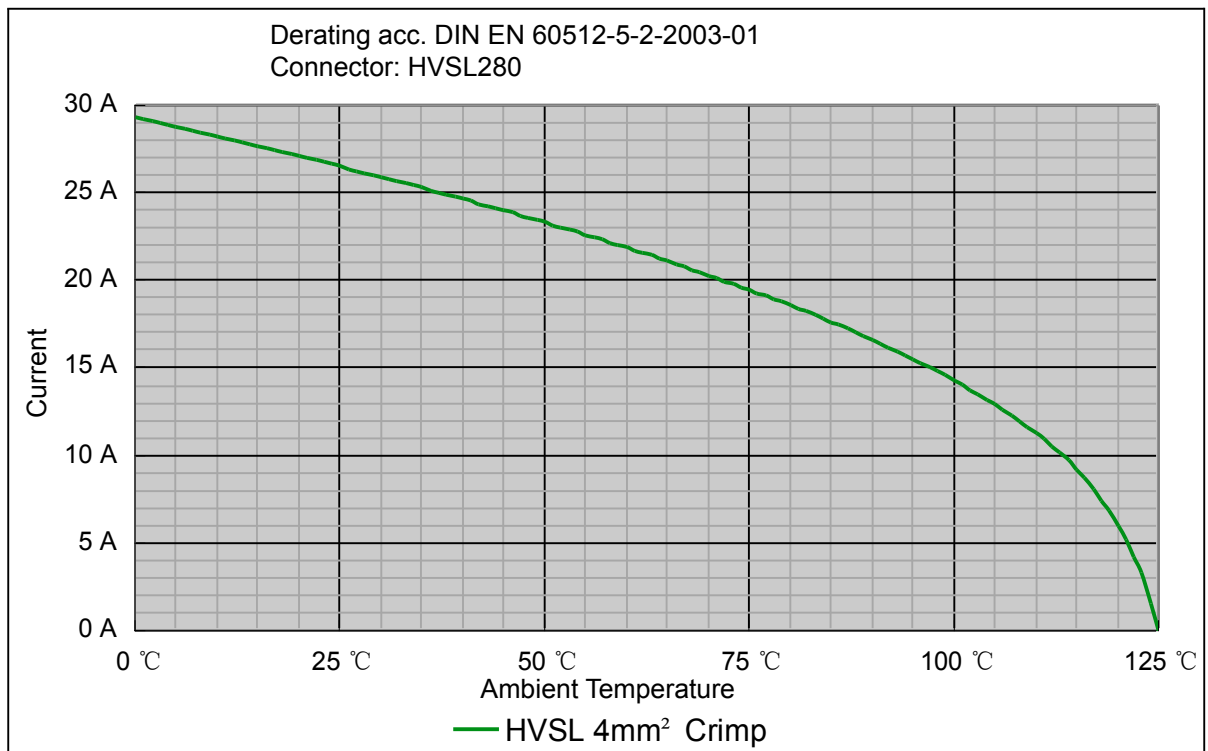
# DERATING CURVE

## DERATING CURVE

HVSL630 | Test carried out on the complete connector



HVSL280 | Test carried out on the complete connector



Amphenol PCD Shenzhen

Building 21  
1st Liao Keng Industrial Zone  
Shi Yan Street, Bao An District Shenzhen 518108  
China

Tel.: +86 755-8173-8000  
Fax: +86 755-8173-8180  
Email: [inquiry@amphenolpcd.com.cn](mailto:inquiry@amphenolpcd.com.cn)

[www.amphenolpcd.com.cn](http://www.amphenolpcd.com.cn)

Notes:

Amphenol PCD Shenzhen has made every effort to ensure that the information contained in this catalog is accurate at the time of publication. Specifications or information stated in this publication are subject to change without notice.

Amphenol PCD Shenzhen reserves the right to clarify this catalog.

## X-ON Electronics

Largest Supplier of Electrical and Electronic Components

*Click to view similar products for [Automotive Connectors](#) category:*

*Click to view products by [Amphenol](#) manufacturer:*

Other Similar products are found below :

[003-018-000](#) [60993906-B](#) [72.330.1035.1](#) [F358300-B](#) [F407400](#) [776880-1](#) [827153-1](#) [8N1515-32-24P](#) [9-1326729-8](#) [925474-1](#) [928905-1](#)  
[964562-4](#) [968782-1](#) [98891-1012](#) [12004475-L](#) [12041318-B](#) [12052466](#) [12015909](#) [1-21030-1](#) [12041318](#) [12047957](#) [12185550](#) [12336-12](#)  
[12147304](#) [13681974](#) [13783086](#) [13832576](#) [13542772](#) [13675513](#) [13964573](#) [1428188-1](#) [1437287-3](#) [1438231-5](#) [1428188-2](#) [DS07-19S-5020](#)  
[1456983-5](#) [1456987-7](#) [APD-7CP-H](#) [APK-SB25A10L](#) [1452931-2](#) [15491972](#) [15305306](#) [15396680](#) [15425613](#) [15518544](#) [15522351](#) [1719636-](#)  
[1](#) [172190-2](#) [172190-5](#) [192900-0024](#)