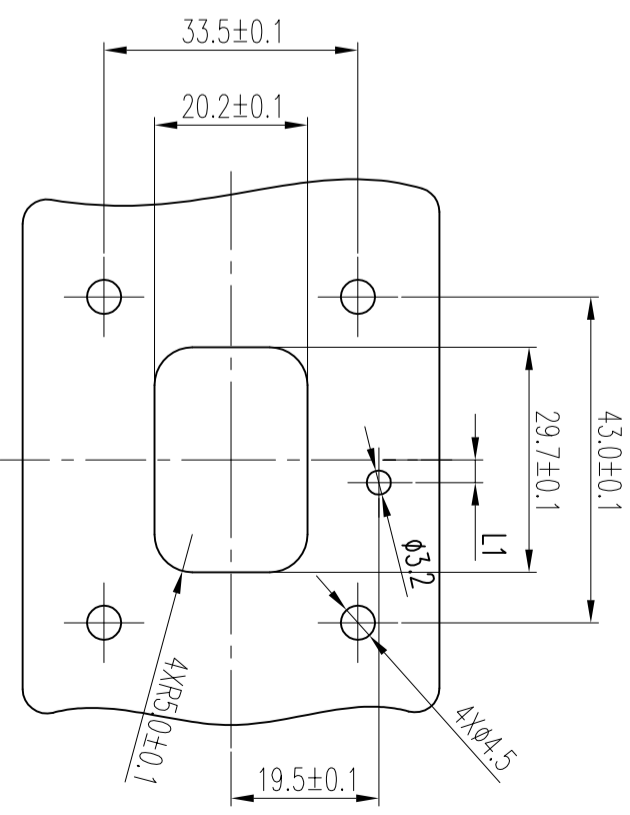
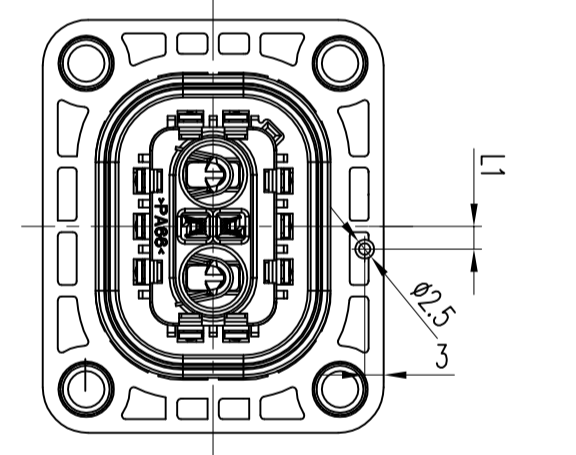
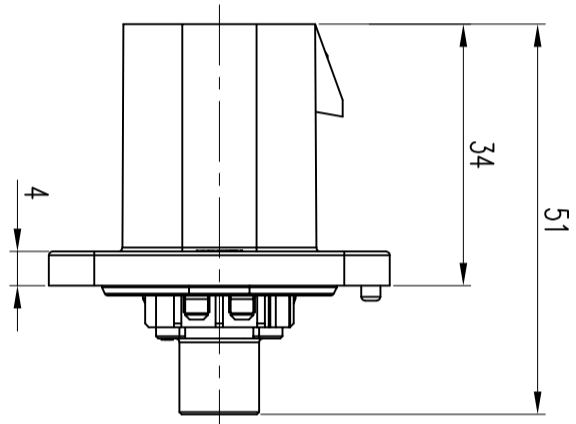
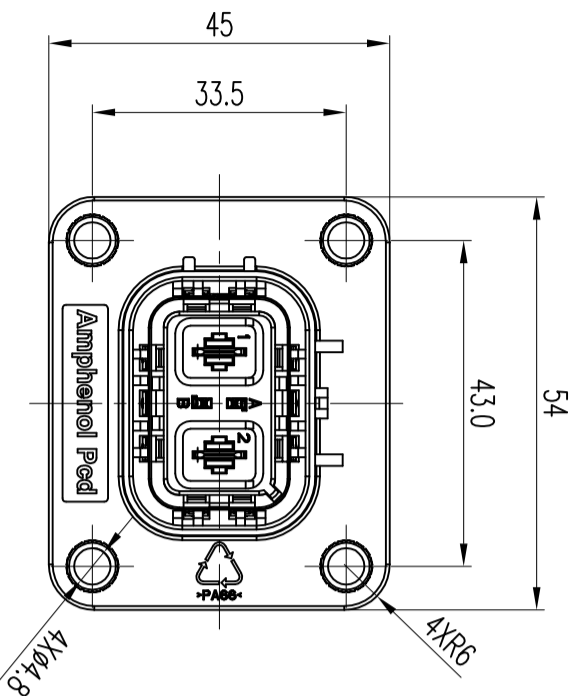


Amphenol PCD SZ  
ORIGINAL  
PDF Format  
02 Dec. 13R&D



KEY	A	B	C	D	E
L1 (Receptacle)	0	3	6	-3	-6
(Mounting panel)	0	-3	-6	3	6

REV	ECN	DESCRIPTION	DATE	MODIFIED
1		PRE-RELEASE	2013.09.16	
2		UPDATE	2013.11.01	G.TANG
3		UPDATE	2013.12.01	G.TANG

C-HVSL 630 02 2 X

C-HVSL 630 02 2 X

**\*NOTES:**  
1.Default PACKING ARE NOT INCLUDING CONTACT FOR NOT CONNECTING CABLE, FOR CORRECT SELECTION PLEASE REF. TABLE BELOW.

OPTION FOR CONTACT SELECTION	
MAIN CONTACT	HML CONTACT
C310003622	C310003613

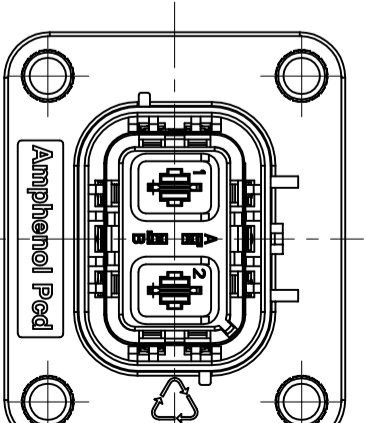
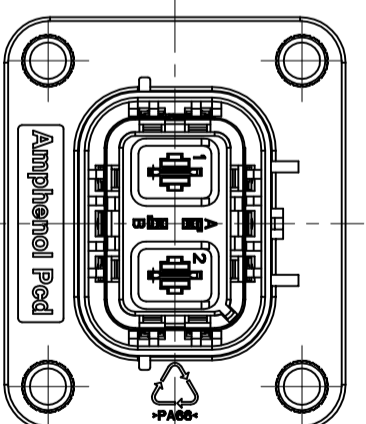
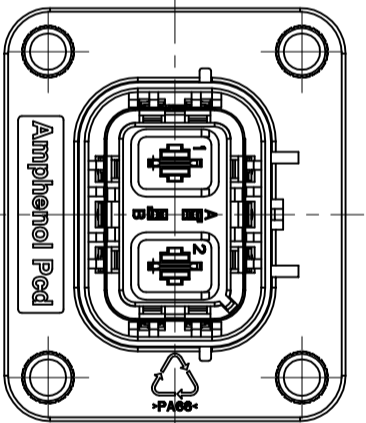
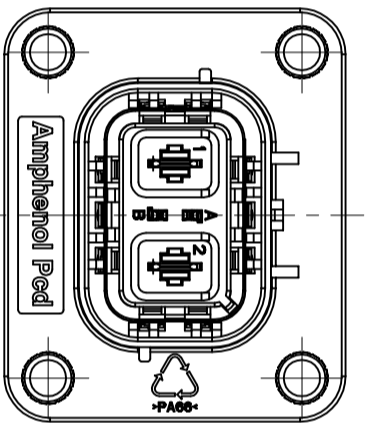
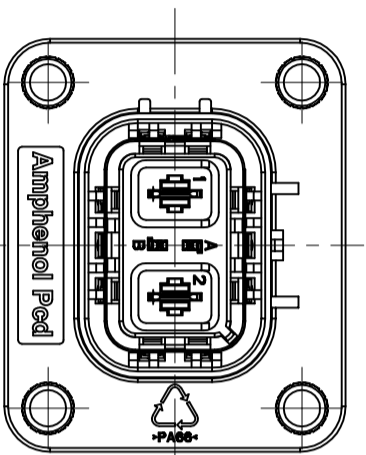
C-HVSL 630 02 2 X

**\*TECHNICAL PARAMETERS**

**Material**  
Housing : PA66 UL94-V0  
Contacts: Copper alloy,Silver plated  
Shield: Copper alloy  
Seal: Silicone

**Mechanical data**  
Operating Temperature:-40°C~+125°C  
Durability: 30 cycles  
Contact Type: Crimping  
IP67,JP2XB

**Electrical data**  
Withstand Voltage:3000V AC r.m.s  
Rated Current : 23A(4mm<sup>2</sup> cable)  
40A(6mm<sup>2</sup> cable)  
Rated Voltage:630V  
Insulation Resistance: >200MΩ  
Contact Resistance: < 2mΩ  
Suited to fit 4~6mm<sup>2</sup> cable  
Shielded



KEY A  
HNSL 630 02 2 A

KEY B  
HNSL 630 02 2 B

KEY C  
HNSL 630 02 2 C

KEY D  
HNSL 630 02 2 D

KEY E  
HNSL 630 02 2 E

DIMENSIONS	TOLERANCES	PROJECTION
ANSI Y14.5M	X ± 0.1	
UNITS: MM	.XX ±0.02	
CAD FILE	ANGLES ±0.5°	

**Amphenol Pcd Shenzhen**

ENGR G.TANG 2013.09.16  
CHKD

**TITLE**  
HVSL630  
RECEPTACLE ASSEMBLY

ORIGINAL NOT FOR CUSTOMER DISTRIBUTION  
THIS DOCUMENT CONTAINS PROPRIETARY INFORMATION WHICH IS THE CONFIDENTIAL PROPERTY OF AMPHENOL PCD SHENZHEN

APPD

SIZE	DWG NO.	REV
A3	C-HVSL 630 02 2 X	3

CODE: SCALE 1:1 SHEET 1 OF 1

## X-ON Electronics

Largest Supplier of Electrical and Electronic Components

*Click to view similar products for [Automotive Connectors](#) category:*

*Click to view products by [Amphenol](#) manufacturer:*

Other Similar products are found below :

[003-018-000](#) [60993906-B](#) [M902-2131](#) [M902-2161](#) [M902-2344](#) [72.330.1035.1](#) [73.353.4028.0](#) [F166900](#) [F358300-B](#) [F407400](#) [776880-1](#)  
[827153-1](#) [8N1515-32-24P](#) [9-1326729-8](#) [925474-1](#) [928905-1](#) [964562-4](#) [968782-1](#) [98891-1012](#) [12004475-L](#) [12020308](#) [12041318-B](#)  
[12052466](#) [12064869](#) [12015909](#) [1-21030-1](#) [12041254](#) [12041318](#) [12047946-B](#) [12110546-B](#) [12131792](#) [12084688](#) [12092346](#) [HD34-18-14PT](#)  
[HD46-24-23SN-059](#) [HDB36-24-16PN-059](#) [HDP26-24-9SE-L015](#) [12185280](#) [12185550](#) [12336-12](#) [12191172-B](#) [12S](#) [13545280](#) [13577943](#)  
[13681974](#) [13737722-B](#) [13830674](#) [13832576](#) [13849772](#) [13542772](#)