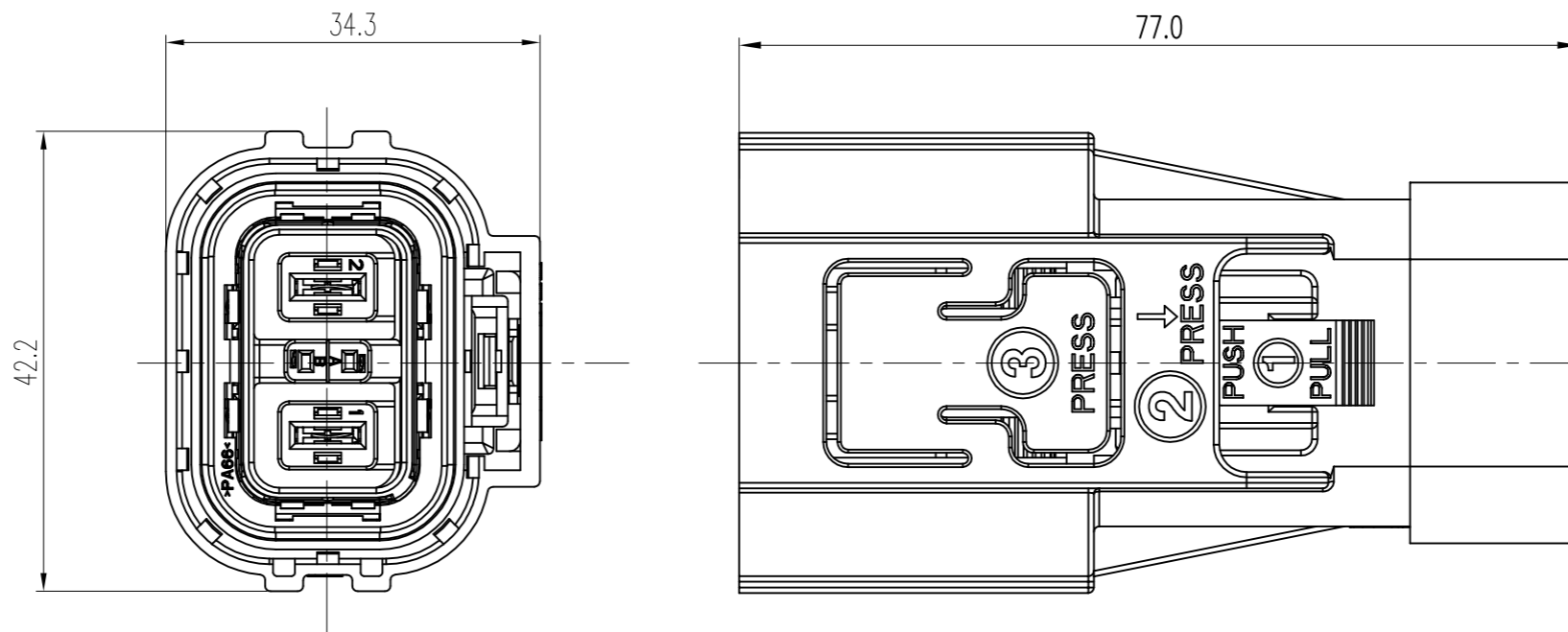


Amphenol PCD
 ORIGINAL
 PDF Format
 02 Dec. 13R&D

REV	ECN	DESCRIPTION	DATE	MODIFIED
A		PRE-RELEASE	2016.10.10	J.C
B		ADD KEYWAY	2017.06.20	C.X
C		CHANGE NOTES	2017.10.16	C.X
D		ADD CABLE OD TOLERANCE	2018.4.26	C.X



C-HVSL630062XXXXXX

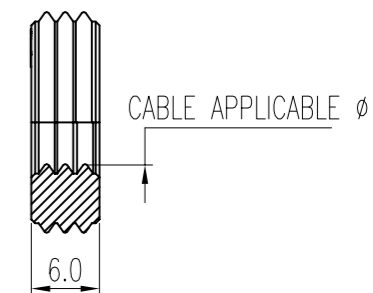
C-HVSL630062XXXXXX

TECHNICAL DATA		REMARK
CURRENT RATE	23A(4mm ² cable) 40A(6mm ² cable)	✦
UL RATING VOLTAGE	800V DC	✦
OPERATING TEMPERATURE	-40~125°C	
DIELECTRIC WHIT STANDING	3000V AC	✦
INSULATION RESISTANCE	200M ΩMIN	✦
DURABILITY	50 CYCLES	◎
SHIELDING	YES	◎
WATERPRROF	IP67&IPX9K	✦
PROTECTION LEVEL	IP2XB	✦
AMBIENT TEMPERATURE	-40~70°C	

✦ 为关键符号特性 ◎ 为重要符号特性

*NOTES:
 1. PLEASE REF. TABLE BELOW FOR THE CORRECT SELECTION.

OPTION FOR CABLE SEAL(DEPENDS ON DIAMETER OF CABLE)			
∅12±0.5	∅11±0.5	∅10±0.5	∅13+0.1/-0.5
C270003607	C2700036071	C2700036072	C270003607

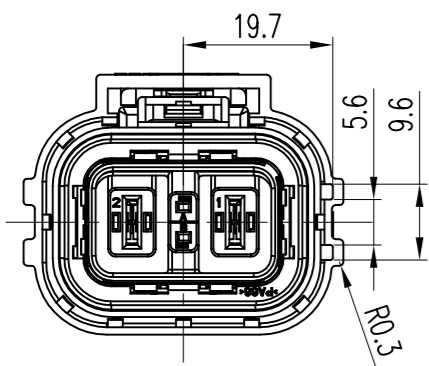


CABLE SEAL

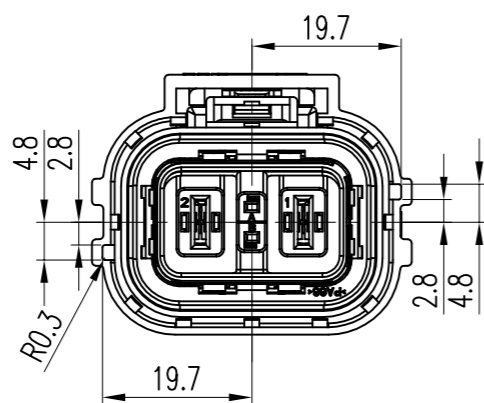
DIMENSIONS ANSI Y14.5M UNITS: MM CAD FILE	TOLERANCES .X ± 0.5 .XX ±0.05 ANGLES ±0.5°	PROJECTION 	Amphenol Pcd Shenzhen		TITLE HVSL630 PLUG ASSEMBLY		
			ENGR J.C	2016.10.10	SIZE A3	DWG NO. C-HVSL630062XXXXXX	REV D
ORIGINAL NOT FOR CUSTOMER DISTRIBUTION	THIS DOCUMENT CONTAINS PROPRIETARY INFORMATION WHICH IS THE CONFIDENTIAL PROPERTY OF AMPHENOL PCD SHENZHEN		CHKD <i>Jouk</i>	APPD <i>Emo</i>	CODE:	SCALE 3:2	SHEET 1 OF 2

Amphenol PCD
 ORIGINAL
 PDF Format
 02 Dec. 13R&D

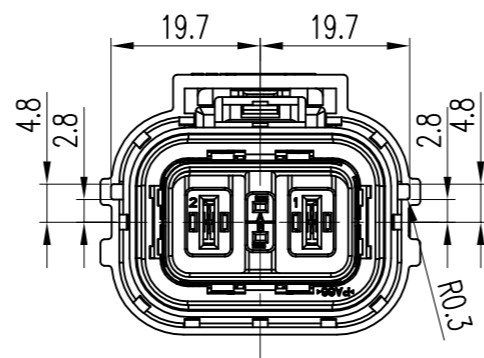
REV	ECN	DESCRIPTION	DATE	MODIFIED
A		PRE-RELEASE	2016.10.10	J.C
B		ADD KEYWAY	2017.06.20	C.X
C		CHANGE NOTES	2017.10.16	C.X
D		ADD CABLE OD TOLERANCE	2018.4.26	C.X



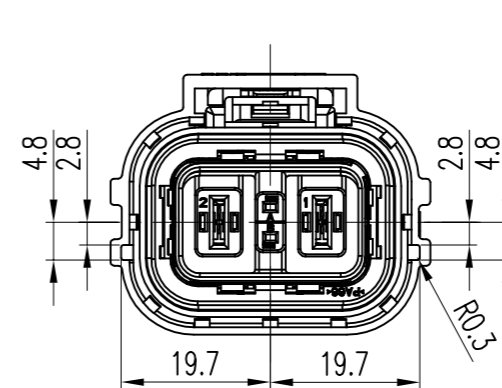
KEY A
 HVSL 630 06 2 A



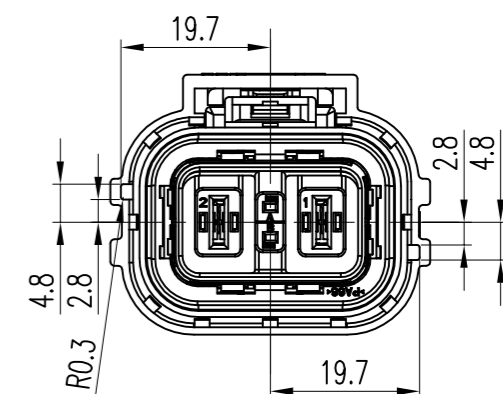
KEY B
 HVSL 630 06 2 B



KEY C
 HVSL 630 06 2 C



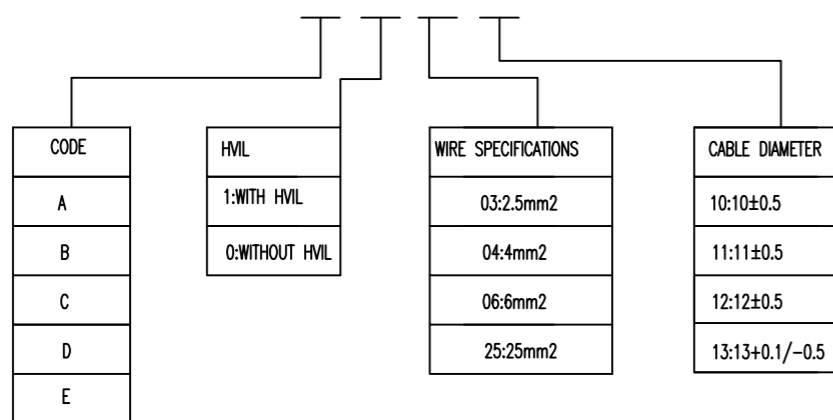
KEY D
 HVSL 630 06 2 D



KEY E
 HVSL 630 06 2 E

MATERIAL NUMBER EXPLANATION

HVSL 630 06 2 X X XX XX



DIMENSIONS ANSI Y14.5M UNITS: MM CAD FILE	TOLERANCES .X ± 0.5 .XX ±0.05 ANGLES ±0.5°	PROJECTION 	Amphenol Pcd Shenzhen		HVSL630 PLUG ASSEMBLY		
			ENGR J.C	2016.10.10			
ORIGINAL NOT FOR CUSTOMER DISTRIBUTION	THIS DOCUMENT CONTAINS PROPRIETARY INFORMATION WHICH IS THE CONFIDENTIAL PROPERTY OF AMPHENOL PCD SHENZHEN	CHKD 	SIZE A3	DWG NO. C-HVSL 630 06 2 XXXXXX	REV D		
		APPD 	CODE:	SCALE 3:2	SHEET 2 OF 2		

C-HVSL630062XXXXXX

C-HVSL630062XXXXXX

X-ON Electronics

Largest Supplier of Electrical and Electronic Components

Click to view similar products for [Automotive Connectors](#) category:

Click to view products by [Amphenol](#) manufacturer:

Other Similar products are found below :

[003-018-000](#) [60993906-B](#) [M902-2131](#) [M902-2161](#) [M902-2344](#) [72.330.1035.1](#) [73.353.4028.0](#) [F166900](#) [F358300-B](#) [F407400](#) [776880-1](#)
[827153-1](#) [8N1515-32-24P](#) [9-1326729-8](#) [925474-1](#) [928905-1](#) [964562-4](#) [968782-1](#) [98891-1012](#) [12004475-L](#) [12020308](#) [12041318-B](#)
[12052466](#) [12064869](#) [12015909](#) [1-21030-1](#) [12041254](#) [12041318](#) [12047946-B](#) [12110546-B](#) [12131792](#) [12084688](#) [12092346](#) [HD34-18-14PT](#)
[HD46-24-23SN-059](#) [HDB36-24-16PN-059](#) [HDP26-24-9SE-L015](#) [12185280](#) [12185550](#) [12336-12](#) [12191172-B](#) [12S](#) [13545280](#) [13577943](#)
[13681974](#) [13737722-B](#) [13830674](#) [13832576](#) [13849772](#) [13542772](#)