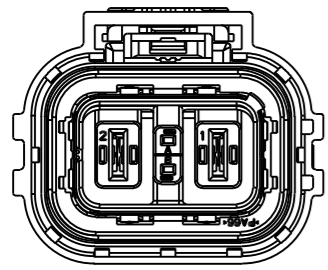
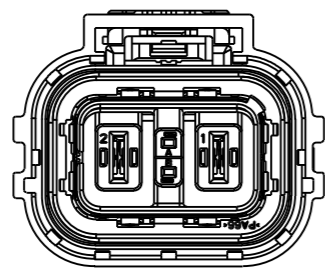


Amphenol PCDSZ
ORIGINAL
PDF Format
R&D

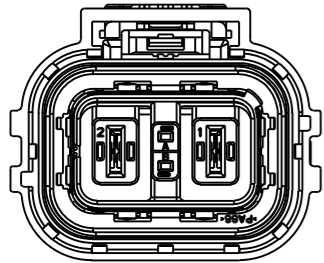
REV	ECN	DESCRIPTION	DATE	MODIFIED
A		PRE-RELEASE	2016.02.01	G.TANG
B		ADD KEYWAY	2017.6.20	Celine.xie
C		CHANGE NOTES	2017.10.16	Celine.xie
D		ADD CABLE TOLERANCE	2018.4.26	Celine.xie
E		INCREASE BOM	2018.6.22	Celine.xie



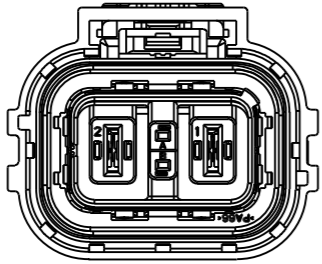
KEY A
C-HVSL630 06 2 A X XX XX



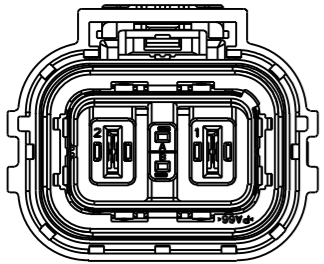
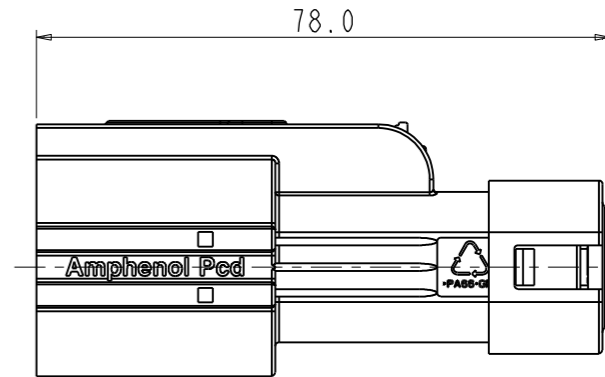
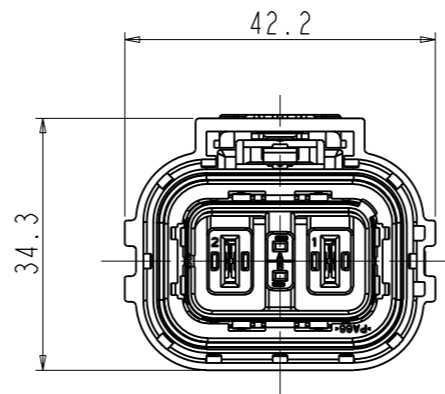
KEY D
C-HVSL630 06 2 D X XX XX



KEY B
C-HVSL630 06 2 B X XX XX



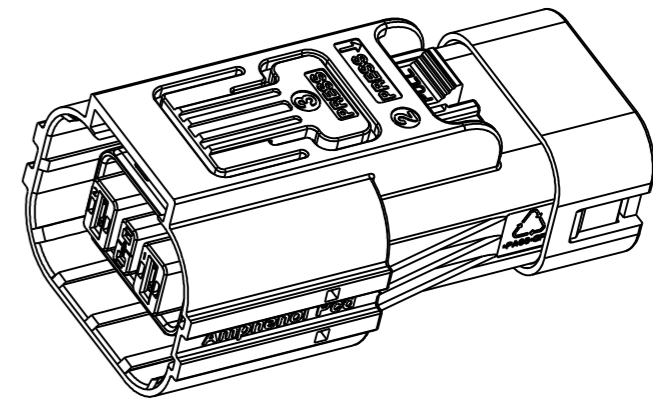
KEY E
C-HVSL630 06 2 E X XX XX



KEY C
C-HVSL630 06 2 C X XX XX

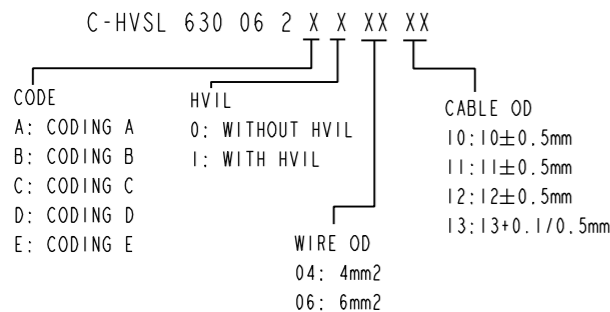
3. TECHNICAL DATA TABLE

TECHNICAL DATA		
CURRENT RATE (4-6MM ² SHIELD CABLE)	23A(4mm ² CABLE) 40A(6mm ² CABLE)	✦
UL RATING VOLTAGE (OVERVOLTAGE CATEGORY II POLLUTION DEGREE 2)	800V DC	✦
OPERATING TEMPERATURE	-40~125°C	
DIELECTRIC WITH STANDING VOLTAGE	3000V AC	✦
INSULATION RESISTANCE	100MΩ MIN	✦
DURABILITY	50 CYCLES	◎
SHIELDING	YES	
WATERPROOF(MATED CONDITION)	IP67, IP6K9K	✦
PROTECTION LEVEL	IP2XB	✦
AMBIENT TEMPERATURE	-40~70°C	



NOTES:

- MATERIAL & FINISH:
 - ✦ PLASTIC BODY: THERMOPLASTICS UL 94V-0 ORANGE COLOR
 - ✦ CONTACTS: COPPER ALLOY SILVER PLATED
 - SHIELD: COPPER ALLOY
 - ✦ SEAL: SILICONE
- PART NUMBER DESCRIPTION:



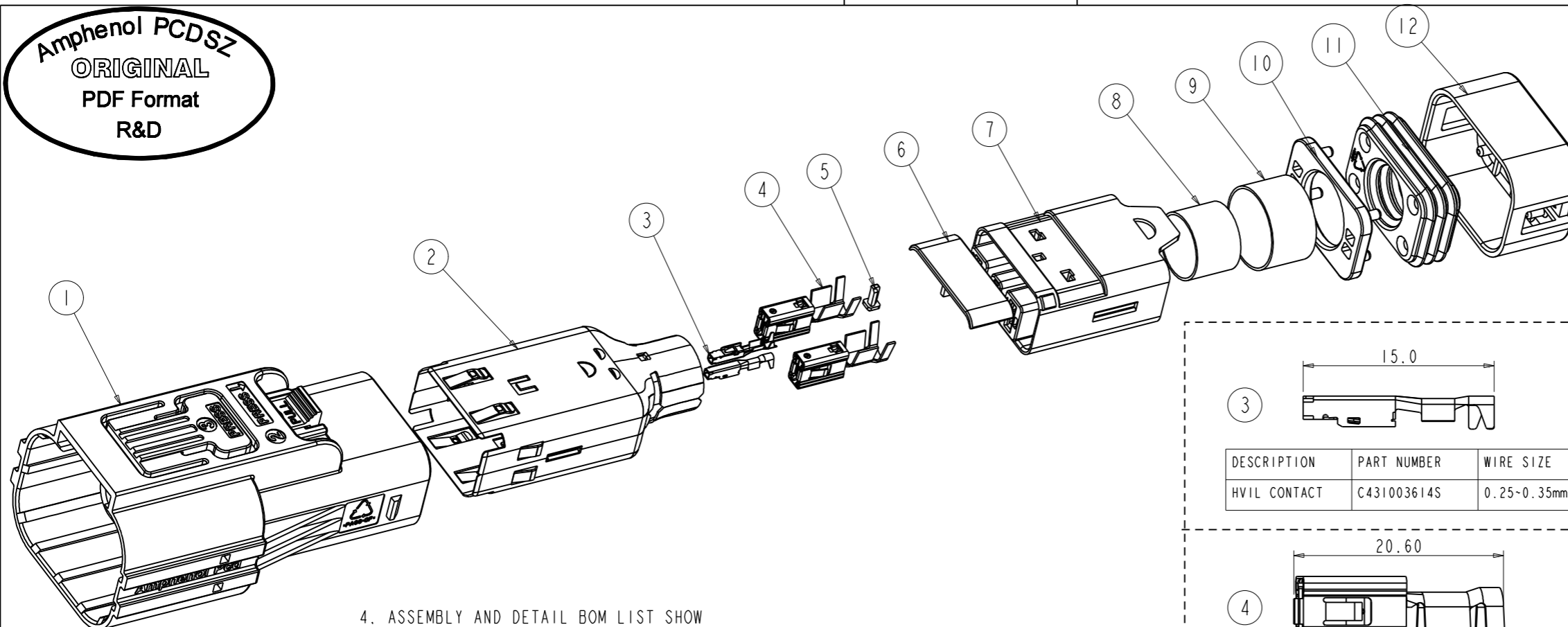
✦ CRITICAL CHARACTERISTIC MARKS/关键特性符号
◎ IMPORTANT CHARACTERISTIC MARKS/重要特性符号

DIMENSIONS	TOLERANCES	PROJECTION	TITLE		
ANSI Y14.5M UNITS: MM Pro/E FILE	X ±0.5 .XX ±0.05 ANGLES ±0.5°		Amphenol Pcd Shenzhen		
ORIGINAL FOR CUSTOMER DISTRIBUTION	THIS DOCUMENT CONTAINS PROPRIETARY INFORMATION WHICH IS THE CONFIDENTIAL PROPERTY OF AMPHENOL PCD SHENZHEN		ENGR G.TANG Mar-25-14	HVSL630 PLUG ASSEMBLY	
		CHKD <i>Jouk</i> APPD <i>Senbas</i>	SIZE A3	DWG NO. C-HVSL630062XXXXXX	REV E
			CODE: 58982	SCALE: 1:1	SHEET 1 OF 2

C-HVSL630062XXXXXX

C-HVSL630062XXXXXX

Amphenol PCDSZ
ORIGINAL
PDF Format
R&D



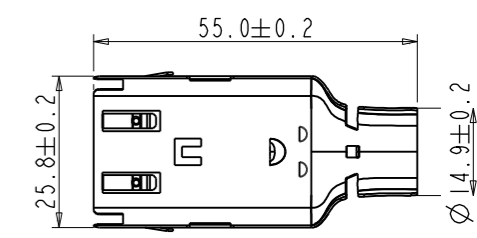
4. ASSEMBLY AND DETAIL BOM LIST SHOW

ITEM	P/N	DESCRIPTION	Q'TY	
12	C422003620	END CAP	1	
11	C427003607X	CABLE SEAL	1	
10	C422003622	SPACER	1	
9	P03BM00042	OUTER FERRULE(CABLE DIAMETER:13)	1	
	C421003602S	OUTER FERRULE(CABLE DIAMETER:10/11/12)	1	
8	P03BM00041	INNER FERRULE(CABLE DIAMETER:13)	1	
	C421003601S	INNER FERRULE(CABLE DIAMETER:10/11/12)	1	
7	C422003653	INNER HOUSING	1	
6	C422003655	TPA	1	
5	C422003656	TPA	1	
4	C431003623S	MAIN CONTACT	2	
3	C431003614S	HVIL CONTACT	2(OPTIONAL)	
2	C431003609	SHIELD	2	
1	HVSL630062XX	PLUG (KEY AND HVIL/NO HVIL)	1	
ASSEMBLY P/N	ITEM	P/N	DESCRIPTION	Q'TY

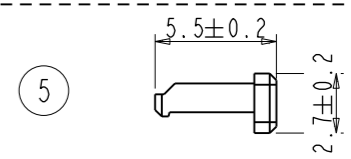
C-HVSL630062XXXXXX

C-HVSL630062XXXXXX

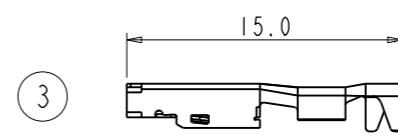
DESCRIPTION	PART NUMBER	DIM"D1"	DIM"D2"
INNER FERRULE(CABLE DIM:10/11/12)	C421003601	12.6±0.1	13.6±0.1
INNER FERRULE(CABLE DIM:13)	P03BM00041	13.5±0.1	14.5±0.1
OUTER FERRULE(CABLE DIM:10/11/12)	C421003602	16.0±0.1	17.0±0.1
OUTER FERRULE(CABLE DIM:13)	P03BM00042	17.0±0.1	18.0±0.1



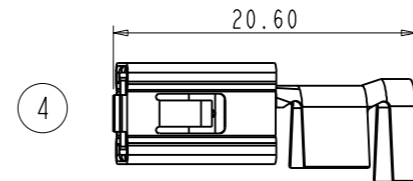
DESCRIPTION	PART NUMBER
SHIELD	C431003609



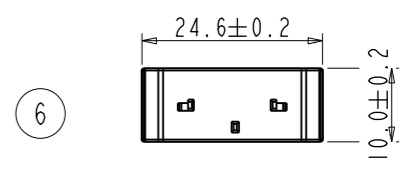
DESCRIPTION	PART NUMBER
TPA	C422003656



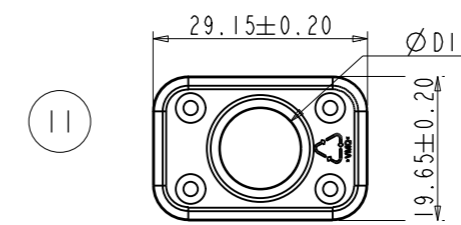
DESCRIPTION	PART NUMBER	WIRE SIZE
HVIL CONTACT	C431003614S	0.25-0.35mm ²



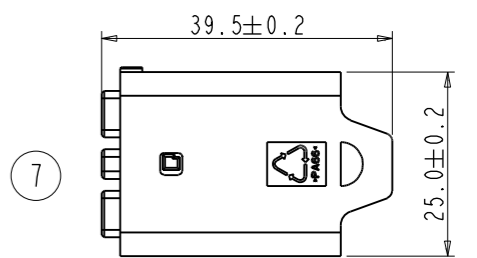
DESCRIPTION	PART NUMBER	WIRE SIZE
MAIN CONTACT	C431003623S	4-6mm ²



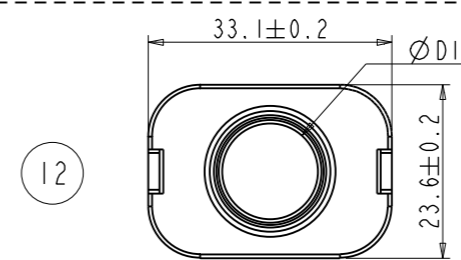
DESCRIPTION	PART NUMBER
TPA	C422003655



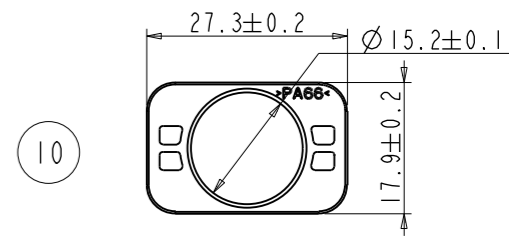
DESCRIPTION	PART NUMBER	DIM"D1"	ADAPTED(OD)
SEAL	C427003607	10.9±0.3	Ø12,13mm CABLE
	C427003607I	9.9±0.3	Ø11mm CABLE
	C4270036072	8.9±0.3	Ø10mm CABLE



DESCRIPTION	PART NUMBER
TPA	C422003653



DESCRIPTION	PART NUMBER	DIM"D1" (mm)
END CAP	C422003620	13±0.1



DESCRIPTION	PART NUMBER
SPACER	C422003622

X-ON Electronics

Largest Supplier of Electrical and Electronic Components

Click to view similar products for [Automotive Connectors](#) category:

Click to view products by [Amphenol](#) manufacturer:

Other Similar products are found below :

[003-018-000](#) [60993906-B](#) [72.330.1035.1](#) [776880-1](#) [827153-1](#) [9-1326729-8](#) [9-221607-5](#) [925474-1](#) [928905-1](#) [964562-4](#) [968782-1](#) [98891-1012](#) [12004468](#) [12004475-L](#) [12004483](#) [12052466](#) [12066163](#) [12015909](#) [12077753](#) [1-21030-1](#) [12047957](#) [12047958](#) [12084688](#) [12185550](#) [12336-12](#) [1-326211-1](#) [13681974](#) [13688972](#) [13755420](#) [13779834](#) [13783086](#) [13843152](#) [13522378](#) [13581967](#) [13669624](#) [13675513](#) [13753471](#) [13946876](#) [13953457](#) [13955963](#) [13964573](#) [13971791](#) [13790534-L](#) [13797473](#) [13805590](#) [13888202](#) [1428188-1](#) [1437287-3](#) [1428188-2](#) [DS07-19S-5020](#)