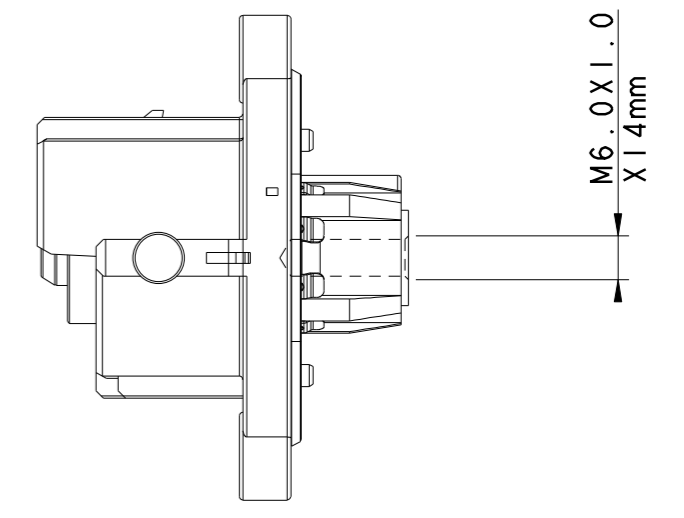
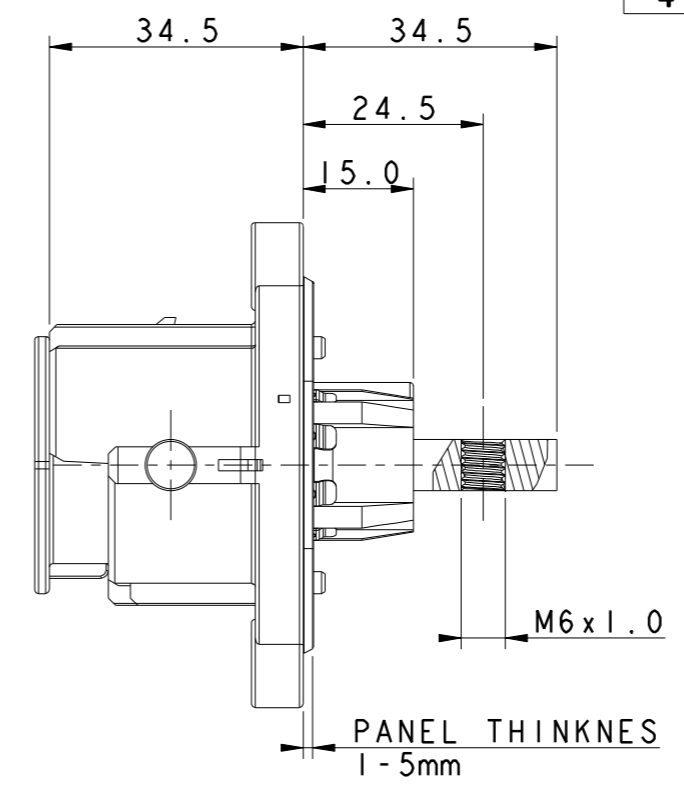
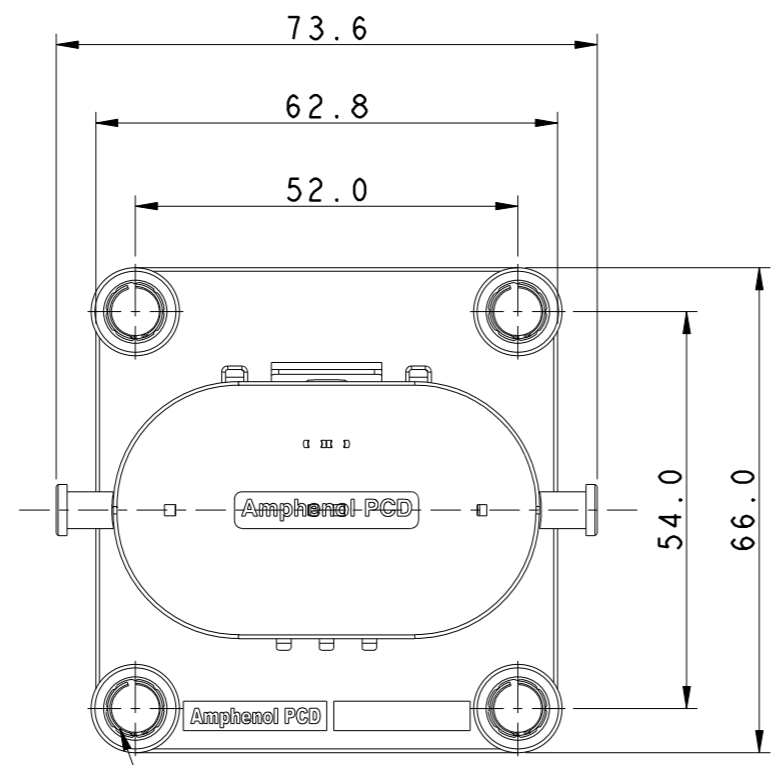
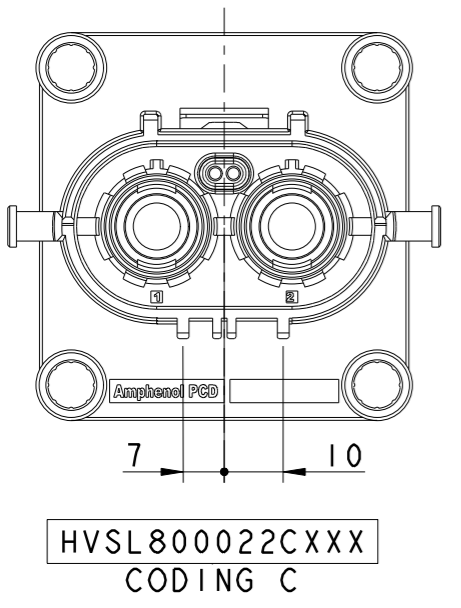
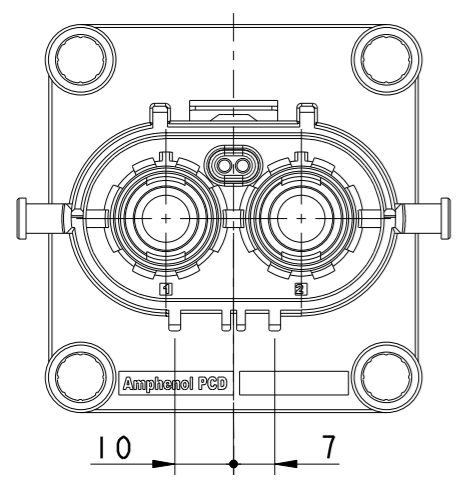
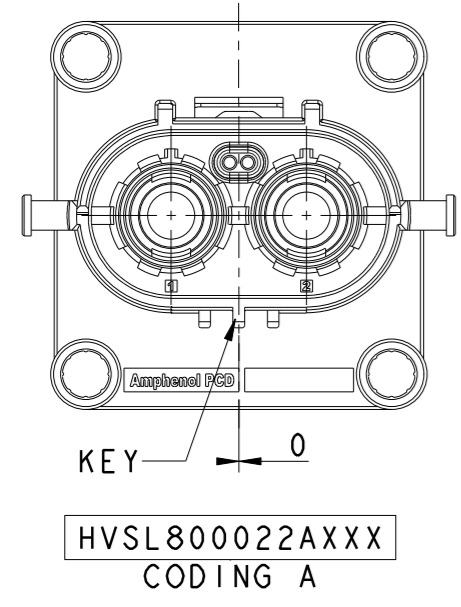


CUSTOMER DRAWING

REV	ECN	DESCRIPTION	DATE	MODIFIED
1		PRE-RELEASE	25/04/16	Robin Yuan
2			29/07/16	Robin Yuan
3		CHANGE DESCRIPTION	12/04/17	CELINE.XIE
4	R0068	ADD DUST CAP	09/22/17	Celine.xie



HOW TO ORDER

HVSL 800 02 2X X XX

A: CODING A 0: WITHOUT HVIL H6: HOLE TERMINATION (M6 THREAD)
 B: CODING B 1: WITH HVIL D6: SCREW TERMINATION-INTERNAL (M6 THREAD)
 C: CODING C

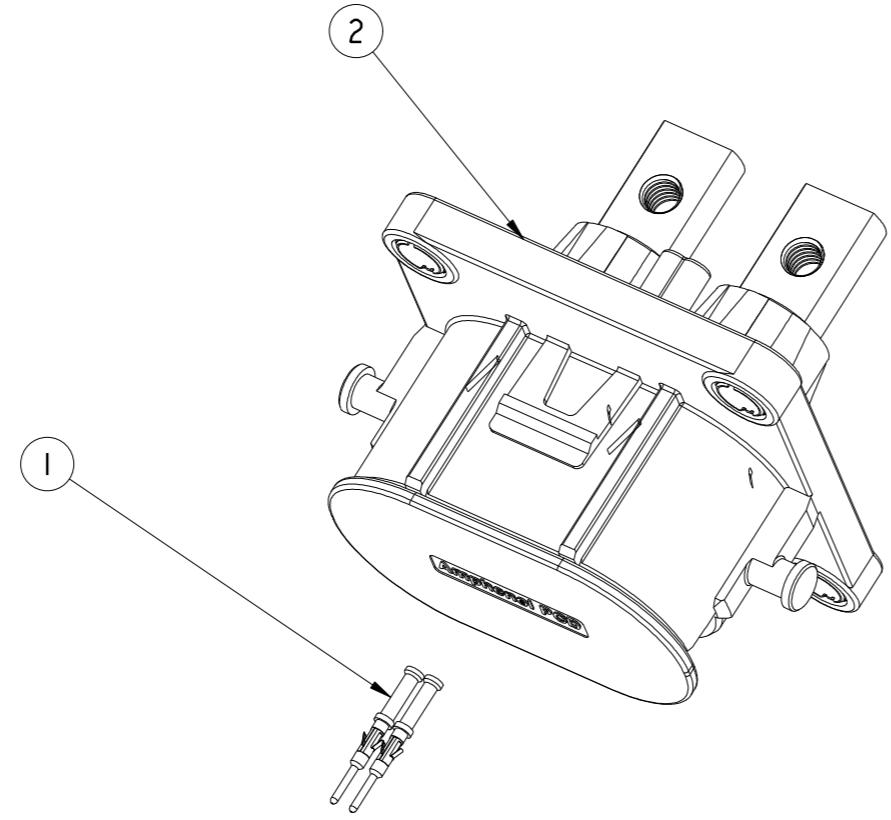
NOTES:

- MATERIAL & FINISH:**
 PLASTIC BODY: THERMOPLASTICS UL 94V-0 ORANGE COLOR
 POWER CONTACT: COPPER ALLOY SILVER PLATED
- ELECTRONICAL CHARACTERISTICS:**
 HIGH VOLTAGE RATED 1000 V DC MAX.
 CURRENT RATED 180A MAX(AMBIENT TEMPERATUR:70°C)
 CURRENT RATED 200A MAX(AMBIENT TEMPERATUR:60°C)
 WITHSTANDING VOLTAGE 3000 V AC
 PRODUCTS ARE COMPLIANCE WITH EN 60664-1 POLLUTION II
- ENVIROMENT CHARACTERISTICS:**
 IP67 IP6K9K RATED (WHEN MATING)
 IP2XB RATED FOR FINGER TOUCH-PROOF

DIMENSIONS ANSI Y14.5M UNITS: MM Pro/E FILE	TOLERANCES .X ±0.3 .XX ±0.10 ANGLES ±0.5°	PROJECTION 	Amphenol Pcd Shenzhen ENGR Robin Yuan 25/04/16 CHKD APPD <i>Sembao</i>		TITLE HVSL 800 02 2 X X XX RECEPTACLE ASSEMBLY		
			ORIGINAL NOT FOR CUSTOMER DISTRIBUTION	THIS DOCUMENT CONTAINS PROPRIETARY INFORMATION WHICH IS THE CONFIDENTIAL PROPERTY OF AMPHENOL PCD SHENZHEN	SIZE A3	DWG NO. C-HVSL800022XXXX	REV 4

C-HVSL800022XXXX

C-HVSL800022XXXX



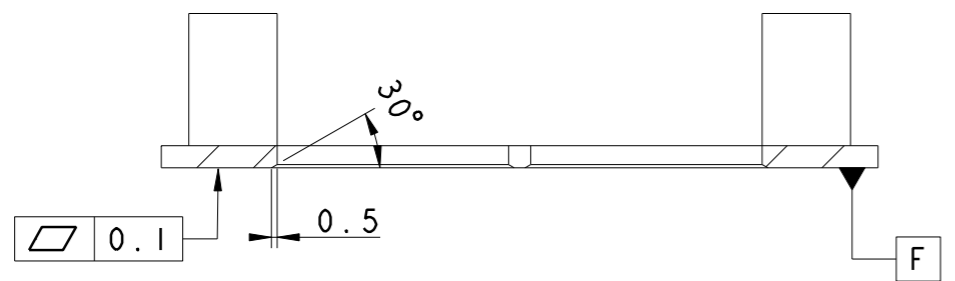
C-HVSL800022XXXX

C-HVSL800022XXXX

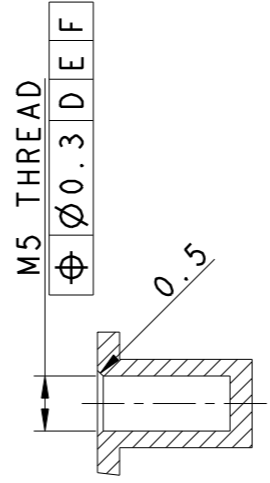
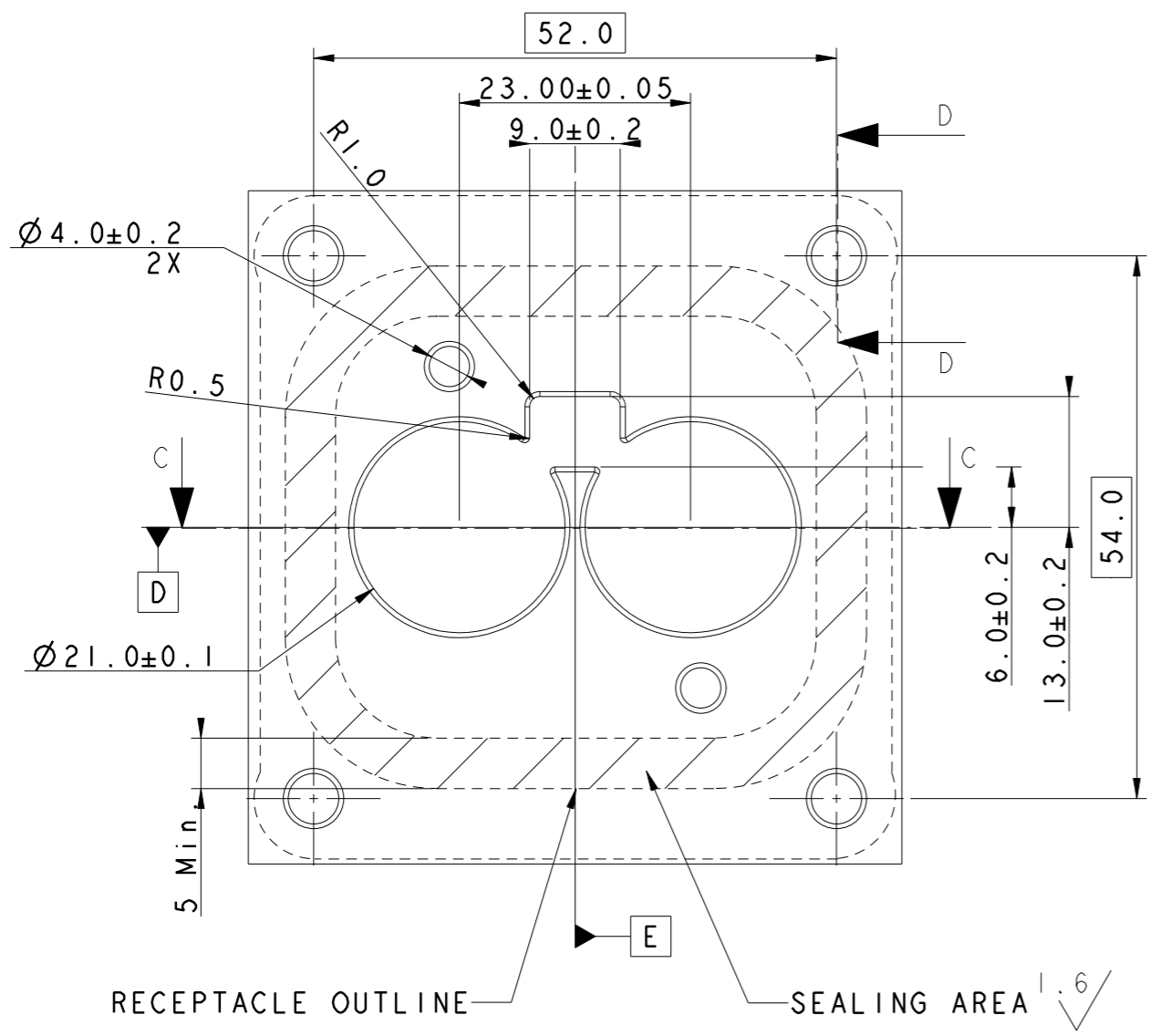
2	HVSL800022	RECEPTACLE BODY(A,B,C)	1	NA
1	C420003643	HVIL PIN	2	可选
ITEM	PART NO.	DESCRIPTION	Q'TY	REMARK

SIZE	DWG NO.	REV
A3	C-HVSL800022XXXX	4
CODE: 58982	SCALE: 1:1	SHEET 2 OF 3

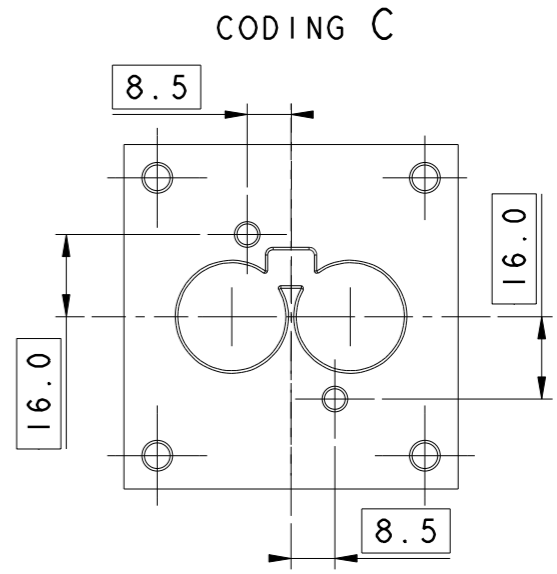
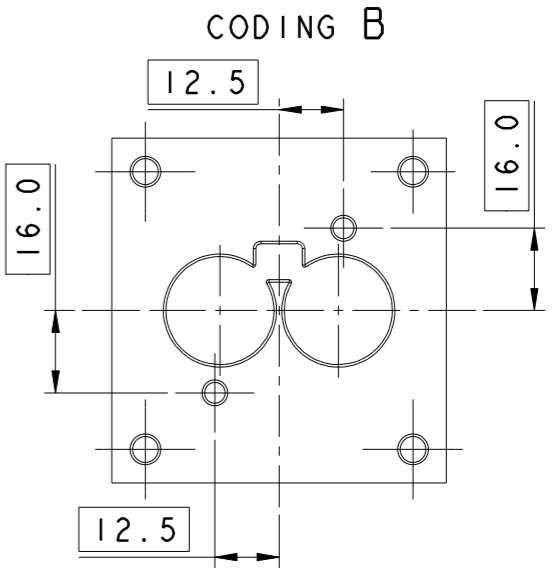
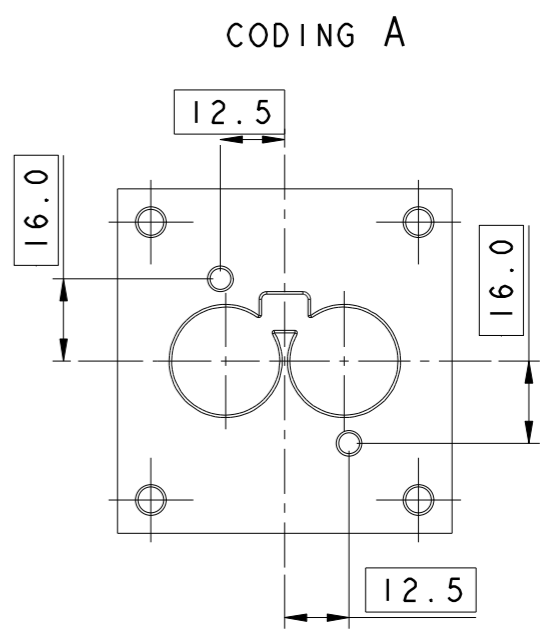
PANEL DRILLING



SECTION C-C



SECTION D-D



C-HVSL800022XXXX

C-HVSL800022XXXX

SIZE A3	DWG NO. C-HVSL800022XXXX	REV 4
CODE: 58982	SCALE: 1:1	SHEET 3 OF 3

X-ON Electronics

Largest Supplier of Electrical and Electronic Components

Click to view similar products for [Automotive Connectors](#) category:

Click to view products by [Amphenol](#) manufacturer:

Other Similar products are found below :

[003-018-000](#) [60993906-B](#) [72.330.1035.1](#) [F358300-B](#) [F407400](#) [776880-1](#) [827153-1](#) [8N1515-32-24P](#) [9-1326729-8](#) [925474-1](#) [928905-1](#)
[964562-4](#) [968782-1](#) [98891-1012](#) [12004475-L](#) [12041318-B](#) [12052466](#) [12015909](#) [1-21030-1](#) [12041318](#) [12047957](#) [12185550](#) [12336-12](#)
[12147304](#) [13681974](#) [13783086](#) [13832576](#) [13542772](#) [13675513](#) [13964573](#) [1428188-1](#) [1437287-3](#) [1438231-5](#) [1428188-2](#) [DS07-19S-5020](#)
[1456983-5](#) [1456987-7](#) [APD-7CP-H](#) [APK-SB25A10L](#) [1452931-2](#) [15491972](#) [15305306](#) [15396680](#) [15425613](#) [15518544](#) [15522351](#) [1719636-](#)
[1](#) [172190-2](#) [172190-5](#) [192900-0024](#)