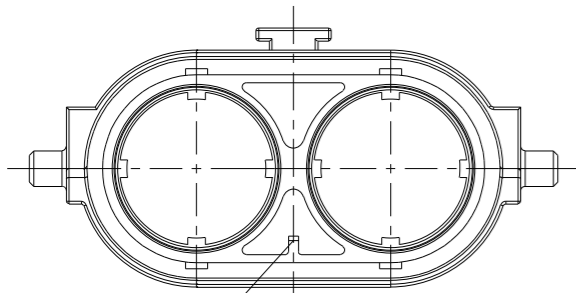
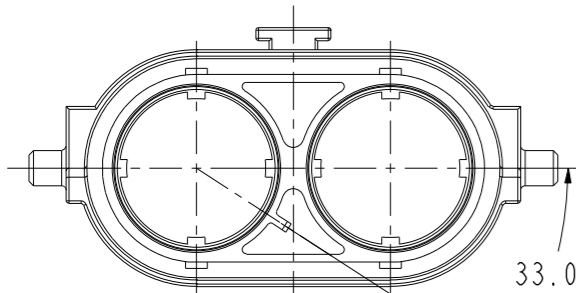


REV	ECN	DESCRIPTION	DATE	MODIFIED
B	C3005	ADD CODING C	2017.12.21	ROY.QU
C	R3409-N	SIZE CHANGE OF STERN COVER	2019.08.14	DICK.RAO

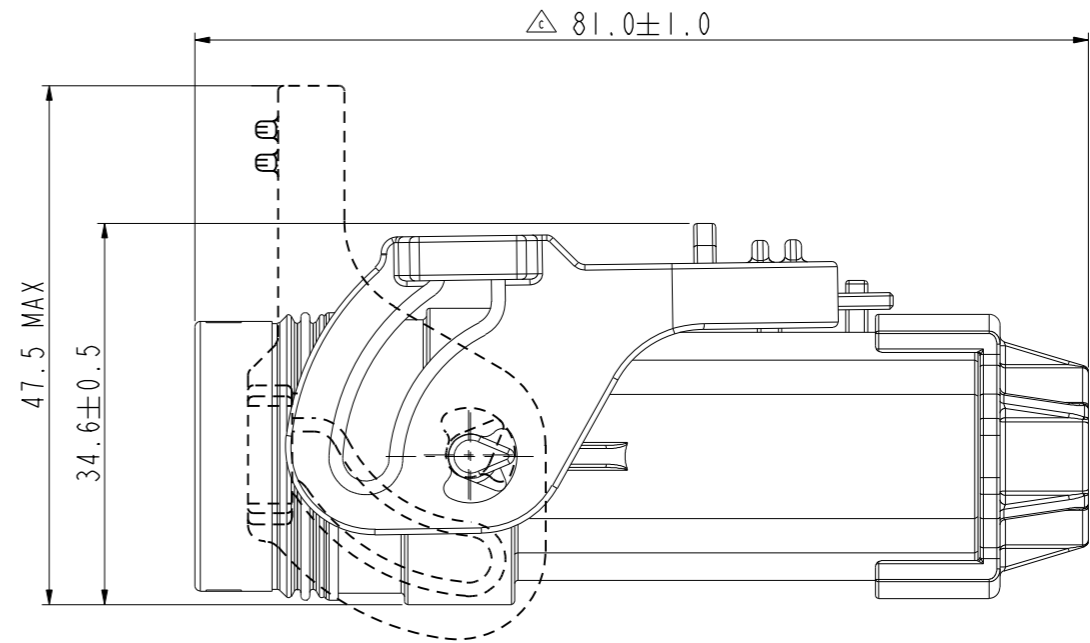
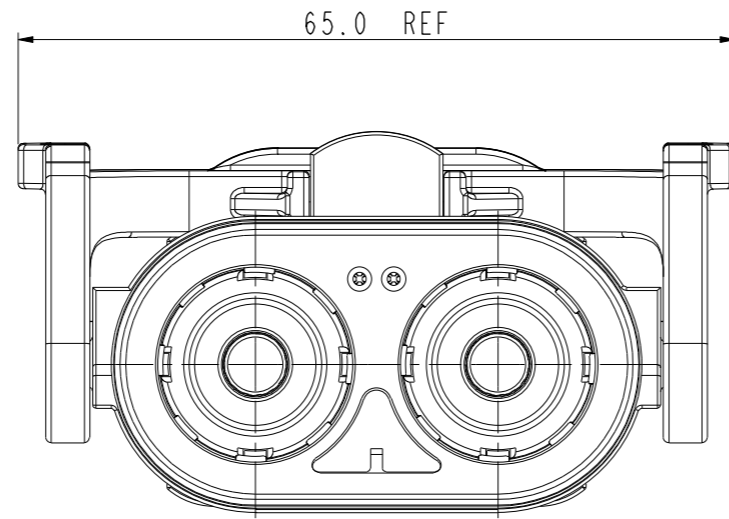
Amphenol PCDSZ
ORIGINAL
PDF Format
R&D



HVLS 600 06 2 A
CODING A



HVLS 600 06 2 B
CODING B



NOTES:

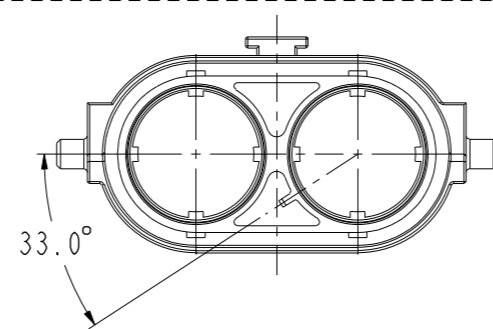
- MATERIAL & FINISH:**
 PLASTIC BODY: THERMOPLASTICS ORANGE COLOR,PA66+GF25
 POWER CONTACT: COPPER ALLOY SILVER PLATED
 HVIL CONTACTS: COPPER ALLOY GOLD PLATED
 SEAL RING: SI
- TECHNICAL DATA SHEET:APCD-TD-201**
- PART NUMBER DESCRIPTION:**

HVLS 600 06 2 X X XX

A: CODING A
B: CODING B
C: CODING C

0: WITHOUT HVIL
1: WITH HVIL

25: CROSS-SECTION 25mm²
SHIELDED WIRE OD=11.9 ± 0.3mm
16: CROSS-SECTION 16mm²
SHIELDED WIRE OD=11.2 ± 0.25mm



HVLS 600 06 2 C
CODING C

TECHNICAL DATA		
CURRENT RATE (25MM ² CABLE)	120A @ AMBIENT 70° C	+
CURRENT RATE (16MM ² CABLE)	80A @ AMBIENT 70° C	+
UL RATING VOLTAGE (OVERVOLTAGE CATEGORY II POLLUTION DEGREE 2)	1000V DC	+
DIELECTRIC WITH STANDING VOLTAGE	3000V AC	+
INSULATION RESISTANCE	100MΩ MIN. @25° C	+
DURABILITY	50 CYCLES	○
SHIELDING	YES	
WATERPROOF (MATED CONDITION)	IP 67、IP6K9K	+
PROTECTION LEVEL	IP2XB	+
OPERATING TEMPERATURE	-40~125° C	
AMBIENT TEMPERATURE	-40~70° C	
ROHS	YES	+

DIMENSIONS	TOLERANCES	PROJECTION
ANSI Y14.5M	.X ±0.5	
UNITS: MM	.XX ±0.05	
Pro/E FILE	ANGLES ±0.5°	

ORIGINAL

THIS DOCUMENT CONTAINS PROPRIETARY INFORMATION WHICH IS THE CONFIDENTIAL PROPERTY OF AMPHENOL PCD SHENZHEN

Amphenol Pcd Shenzhen		TITLE	
ENGR Robin Yuan 2016.12.21		HVLS 600 06 2 X X XX STRAIGHT PLUG ASSEMBLY	
CHKD	SIZE A3	DWG NO. C-HVSL5600062XXXX	REV C
APPD <i>Seibao</i>	CODE: 58982	SCALE: 1:1	SHEET 1 OF 2

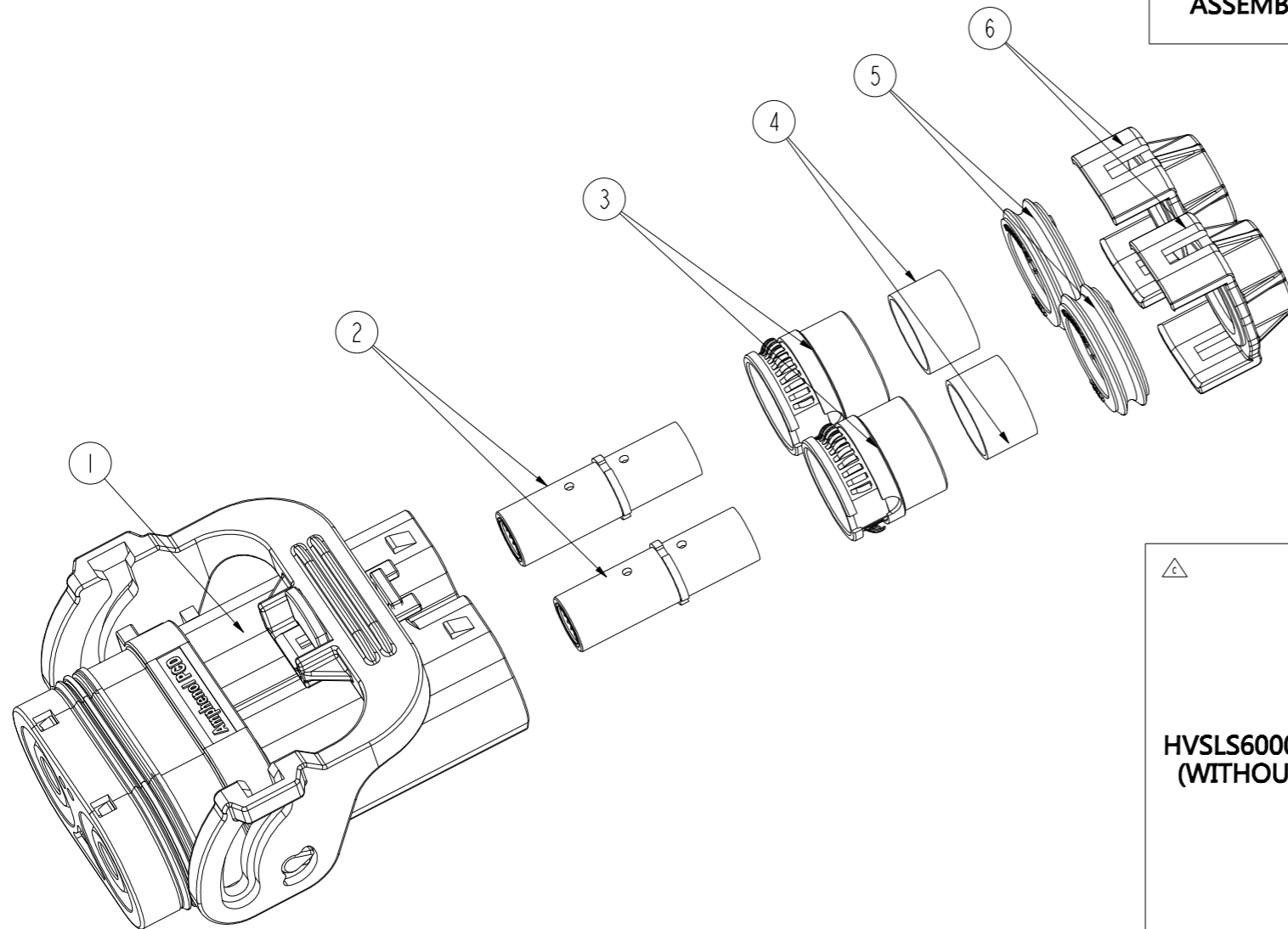
C-HVSL5600062XXXX

C-HVSL5600062XXXX

HVSL5600062X1 SELECTION:

MAIN BODY P/N	KEY X
HVSL5600062A1	KEY A
HVSL5600062B1	KEY B
HVSL5600062C1	KEY C

ASSEMBLY P/N	ITEM	COMPONENT P/N	CABLE SIZE	DESCRIPTION	Q'TY
HVSL5600062X1XX (WITH HVIL)	6	C2200036952	16mm2	END CAP (WIRE OD=11.2 ± 0.25mm)	2
		C2200036951	25mm2	END CAP (WIRE OD=11.9 ± 0.3mm)	2
	5	C2700036492	16mm2	CABLE SEAL (WIRE OD=11.2 ± 0.25mm)	2
		C2700036491	25mm2	CABLE SEAL (WIRE OD=11.9 ± 0.3mm)	2
	4	C200003641	25mm2	OUTER FERRULE	2
		P03BM00326	16mm2	OUTER FERRULE	2
	3	C420003618	N/A	16mm2 AND 25mm2 OUTER FERRULE	2
	2	C4200036172	16mm2	SOCKET CONTACT ASSEMBLY	2
		C4200036171	25mm2	SOCKET CONTACT ASSEMBLY	2
	1	HVSL5600062X1	N/A	MAIN BODY & WITH HVIL	1



HVSL5600062X0 SELECTION:

MAIN BODY P/N	KEY X
HVSL5600062A0	KEY A
HVSL5600062B0	KEY B
HVSL5600062C0	KEY C

ASSEMBLY P/N	ITEM	COMPONENT P/N	CABLE SIZE	DESCRIPTION	Q'TY
HVSL5600062X0XX (WITHOUT HVIL)	6	C2200036952	16mm2	END CAP (WIRE OD=11.2 ± 0.25mm)	2
		C2200036951	25mm2	END CAP (WIRE OD=11.9 ± 0.3mm)	2
	5	C2700036492	16mm2	CABLE SEAL (WIRE OD=11.2 ± 0.25mm)	2
		C2700036491	25mm2	CABLE SEAL (WIRE OD=11.9 ± 0.3mm)	2
	4	C200003641	25mm2	OUTER FERRULE	2
		P03BM00326	16mm2	OUTER FERRULE	2
	3	C420003618	N/A	16mm2 AND 25mm2 OUTER FERRULE	2
	2	C4200036172	16mm2	SOCKET CONTACT ASSEMBLY	2
		C4200036171	25mm2	SOCKET CONTACT ASSEMBLY	2
	1	HVSL5600062X0	N/A	MAIN BODY & WITHOUT HVIL	1

X-ON Electronics

Largest Supplier of Electrical and Electronic Components

Click to view similar products for [Automotive Connectors](#) category:

Click to view products by [Amphenol](#) manufacturer:

Other Similar products are found below :

[003-018-000](#) [60403001](#) [60993906-B](#) [M902-2131](#) [M902-2161](#) [72.330.1035.1](#) [73.353.4028.0](#) [F119300-B](#) [F166900](#) [F258300-B](#) [F358300-B](#)
[F407400](#) [F444110](#) [F487000](#) [F509500B-B](#) [827153-1](#) [8N1515-32-24P](#) [9-1326729-8](#) [925474-1](#) [928905-1](#) [964562-4](#) [968782-1](#) [GT17SA-8DS-](#)
[HU](#) [98891-1012](#) [98947-1016](#) [12004475-L](#) [12010290](#) [12010309-B](#) [12015454](#) [12020219-B](#) [12020308](#) [12041318-B](#) [12052225-L](#) [12052466](#)
[12059125](#) [12064869](#) [12004327-B](#) [12010503-B](#) [12015308](#) [12015384](#) [12015909](#) [1-21030-1](#) [12041254](#) [12041318](#) [12047946-B](#) [12047957](#)
[12047957-L](#) [12059473](#) [12066261](#) [12110546](#)