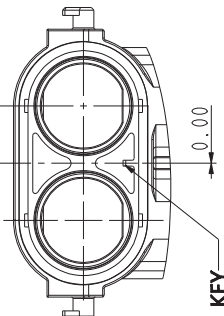


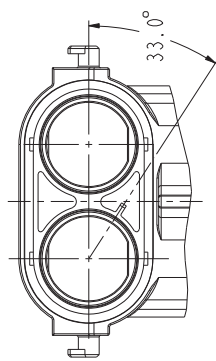


安费诺精密连接器(深圳)有限公司  
Amphenol PCD Shenzhen  
受控文件  
2019年8月27日

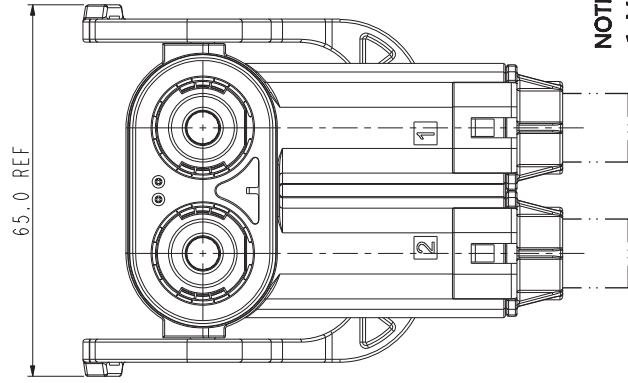
REV	ECN	DESCRIPTION	DATE	MODIFIED
C	C3005	ADD CODING C	2018.10.22	ROY,QU
D	R3408-N	SIZE CHANGE OF STERN COVER	2019.08.14	DICK,RAO



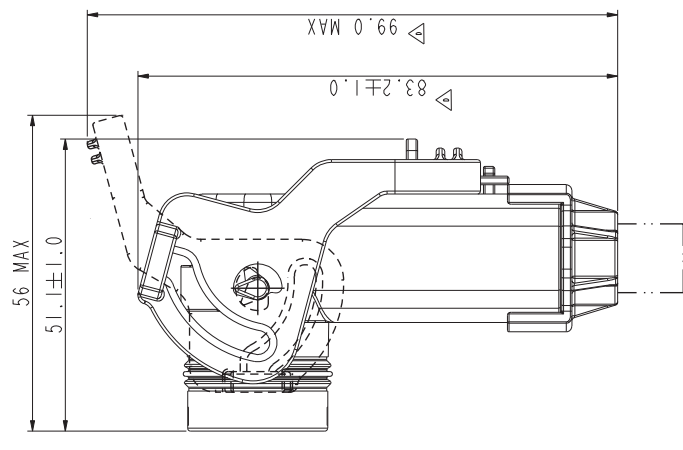
HVLS 600 08 2 A  
CODING A



HVLS 600 08 2 B  
CODING B



HVLS 600 08 2 C  
CODING C

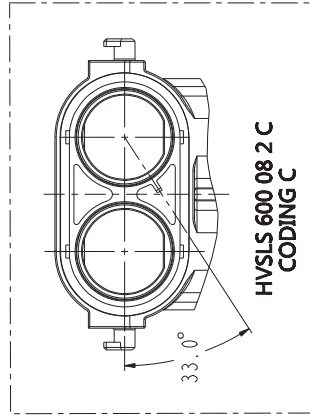


HVLS 600 08 2 X XX

NOTES:

- MATERIAL & FINISH:  
PLASTIC BODY: THERMOPLASTICS ORANGE COLOR,PA66+GF25  
POWER CONTACT: COPPER ALLOY SILVER PLATED  
HVIL CONTACTS: COPPER ALLOY GOLD PLATED  
SEAL RING: SI
- TECHNICAL DATA SHEET:APCD-TD-201
- PART NUMBER DESCRIPTION:

- A: CODING A
- B: CODING B
- C: CODING C
- Ø: WITHOUT HVIL
- 1: WITH HVIL
- 25: CROSS-SECTION 25mm<sup>2</sup>  
SHIELDED WIRE OD=11.9 ± 0.3mm
- 16: CROSS-SECTION 16mm<sup>2</sup>  
SHIELDED WIRE OD=11.2 ± 0.25mm



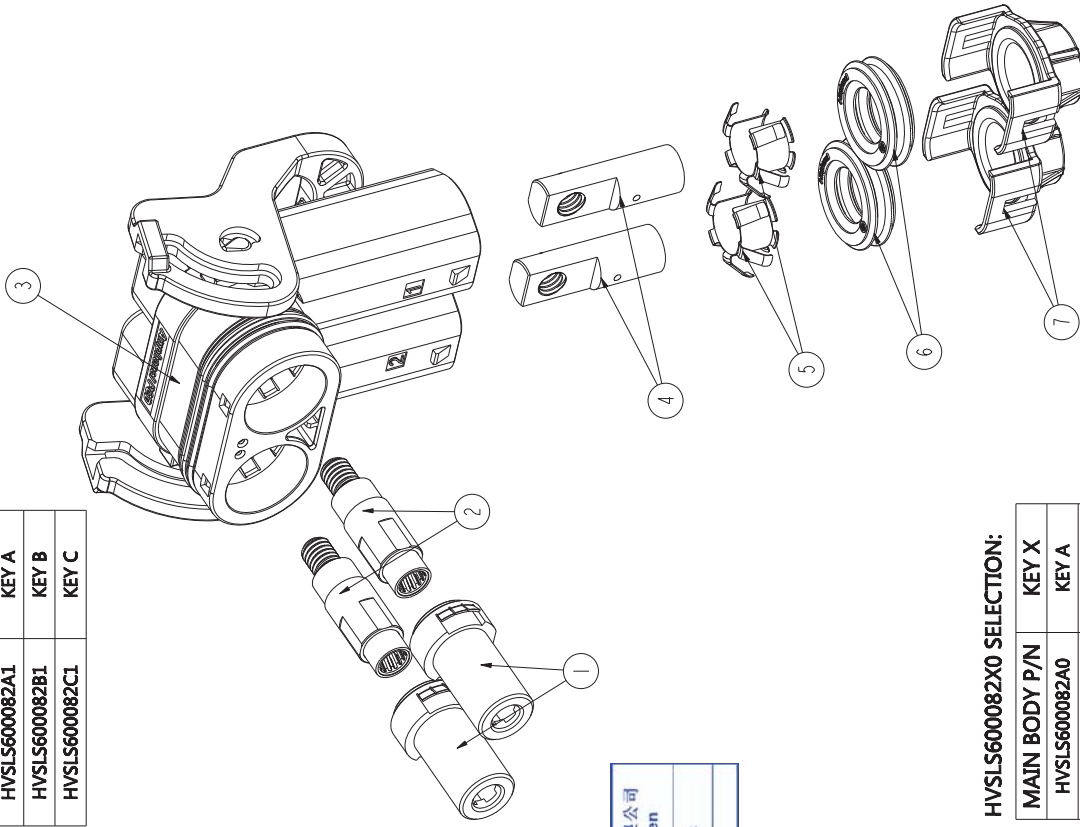
TECHNICAL DATA	
CURRENT RATE (25MM <sup>2</sup> CABLE)	120A @ AMBIENT 70° C
CURRENT RATE (16MM <sup>2</sup> CABLE)	80A @ AMBIENT 70° C
UL RATING VOLTAGE (OVERVOLTAGE CATEGORY II POLLUTION DEGREE 2)	1000V DC
DIELECTRIC WITH STANDING VOLTAGE	3000V AC
INSULATION RESISTANCE	100MΩ MIN. @25° C
DURABILITY	50 CYCLES (MIN)
SHIELDING	YES
WATERPROOF (MATED CONDITION)	IP 67, IP6K9K
PROTECTION LEVEL	IP2XB
OPERATING TEMPERATURE	-40~125° C
AMBIENT TEMPERATURE	-40~70° C
ROHS	YES

Amphenol Pcd Shenzhen		TITLE	
ENGR	Robi Yuan	HVLS 600 08 2 X R/A PLUG ASSEMBLY	
CHKD	Ben Mao	SIZE	DWG NO.
APPD	Sebao	A3	C-HVSL S600082XXXX
24/02/16		CODE	58982
2019年8月27日		SCALE	1:1
THIS DOCUMENT CONTAINS PROPRIETARY INFORMATION WHICH IS THE CONFIDENTIAL PROPERTY OF AMPHENOL PCD SHENZHEN		SHEET	1 OF 2

HVSL600082X1 SELECTION:

MAIN BODY P/N	KEY X
HVSL600082A1	KEY A
HVSL600082B1	KEY B
HVSL600082C1	KEY C

ASSEMBLY P/N	ITEM	COMPONENT P/N	CABLE SIZE	DESCRIPTION	Q'TY
HVSL600082X1XX (WITH HVIL)	7	C2200036952	16mm2	END CAP (WIRE OD=11.2 ± 0.25mm)	2
		C2200036951	25mm2	END CAP (WIRE OD=11.9 ± 0.3mm)	2
	6	C2700036492	16mm2	CABLE SEAL (WIRE OD=11.2 ± 0.25mm)	2
		C2700036491	25mm2	CABLE SEAL (WIRE OD=11.9 ± 0.3mm)	2
	5	C310005004	N/A	SPRING	2
	4	C2000036511	16mm2	PIN CONTACT	2
		C200003651	25mm2	PIN CONTACT	2
	3	HVSL600082X1	N/A	MAIN BODY & WITH HVIL	1
	2	C420003648	N/A	SOCKET CONTACT BODY	2
	1	C220003697	N/A	SOCKET CONTACT GAP	2
	ITEM	COMPONENT P/N	CABLE SIZE	DESCRIPTION	Q'TY



安费诺精密连接器(深圳)有限公司  
Amphenol PCD Shenzhen  
受 控 文 件  
2019年8月27日

HVSL600082X0 SELECTION:

MAIN BODY P/N	KEY X
HVSL600082A0	KEY A
HVSL600082B0	KEY B
HVSL600082C0	KEY C

ASSEMBLY P/N	ITEM	COMPONENT P/N	CABLE SIZE	DESCRIPTION	Q'TY
HVSL600082X0XX (WITHOUT HVIL)	7	C2200036952	16mm2	END CAP (WIRE OD=11.2 ± 0.25mm)	2
		C2200036951	25mm2	END CAP (WIRE OD=11.9 ± 0.3mm)	2
	6	C2700036492	16mm2	CABLE SEAL (WIRE OD=11.2 ± 0.25mm)	2
		C2700036491	25mm2	CABLE SEAL (WIRE OD=11.9 ± 0.3mm)	2
	5	C310005004	N/A	SPRING	2
	4	C2000036511	16mm2	PIN CONTACT	2
		C200003651	25mm2	PIN CONTACT	2
	3	HVSL600082X0	N/A	MAIN BODY & WITHOUT HVIL	1
	2	C420003648	N/A	SOCKET CONTACT BODY	2
	1	C220003697	N/A	SOCKET CONTACT GAP	2
	ITEM	COMPONENT P/N	CABLE SIZE	DESCRIPTION	Q'TY

## X-ON Electronics

Largest Supplier of Electrical and Electronic Components

*Click to view similar products for [Automotive Connectors](#) category:*

*Click to view products by [Amphenol](#) manufacturer:*

Other Similar products are found below :

[003-018-000](#) [60403001](#) [60993906-B](#) [M902-2131](#) [M902-2161](#) [72.330.1035.1](#) [73.353.4028.0](#) [F119300-B](#) [F166900](#) [F258300-B](#) [F358300-B](#)  
[F407400](#) [F444110](#) [F487000](#) [F509500B-B](#) [827153-1](#) [8N1515-32-24P](#) [9-1326729-8](#) [925474-1](#) [928905-1](#) [964562-4](#) [968782-1](#) [GT17SA-8DS-](#)  
[HU](#) [98891-1012](#) [98947-1016](#) [12004475-L](#) [12010290](#) [12010309-B](#) [12015454](#) [12020219-B](#) [12020308](#) [12041318-B](#) [12052225-L](#) [12052466](#)  
[12059125](#) [12064869](#) [12004327-B](#) [12010503-B](#) [12015308](#) [12015384](#) [12015909](#) [1-21030-1](#) [12041254](#) [12041318](#) [12047946-B](#) [12047957](#)  
[12047957-L](#) [12059473](#) [12066261](#) [12110546](#)