

**PRODUCT NUMBER**

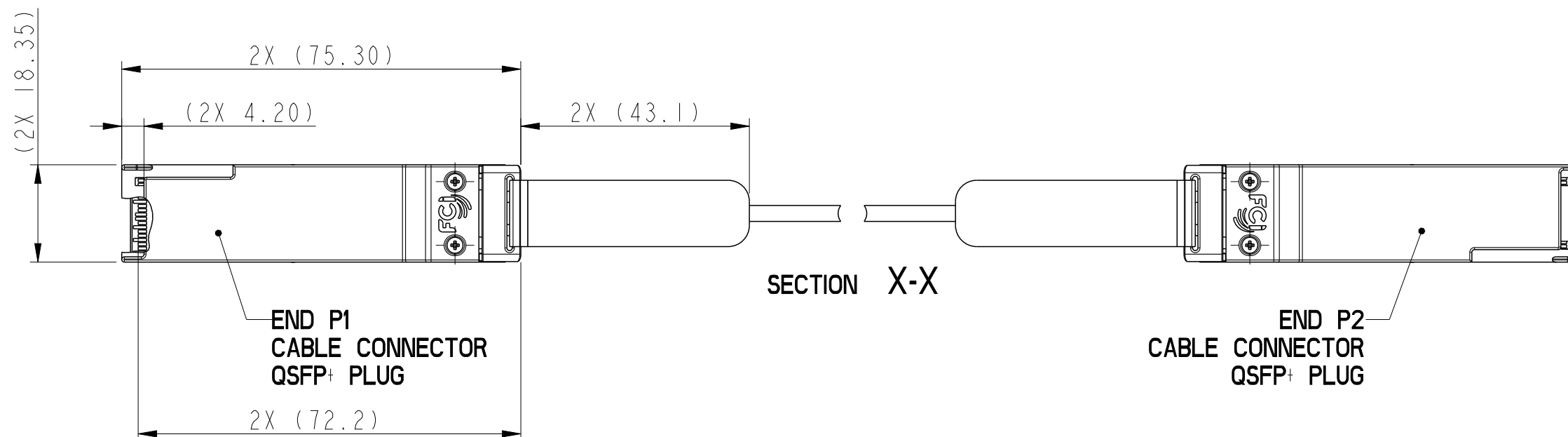
ICD040GVP163X-XX

**PRODUCT NUMBER DESCRIPTION:**

ICD040GVP163 X - XX

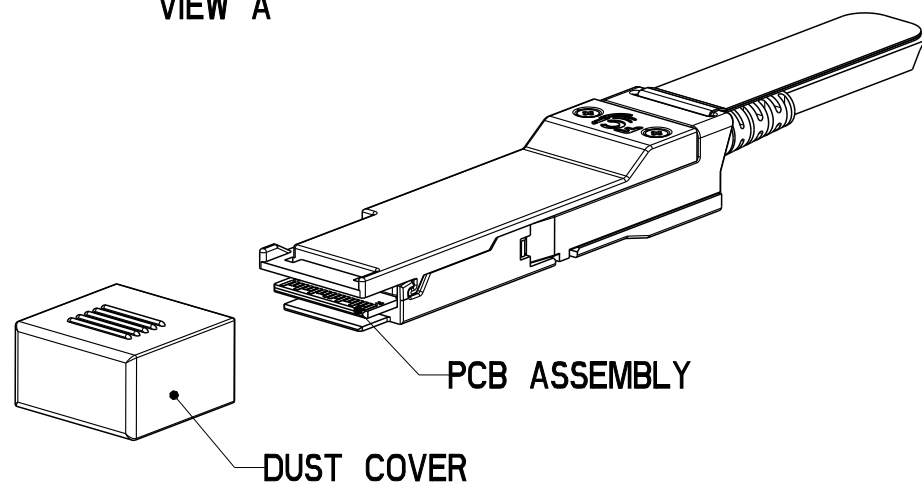
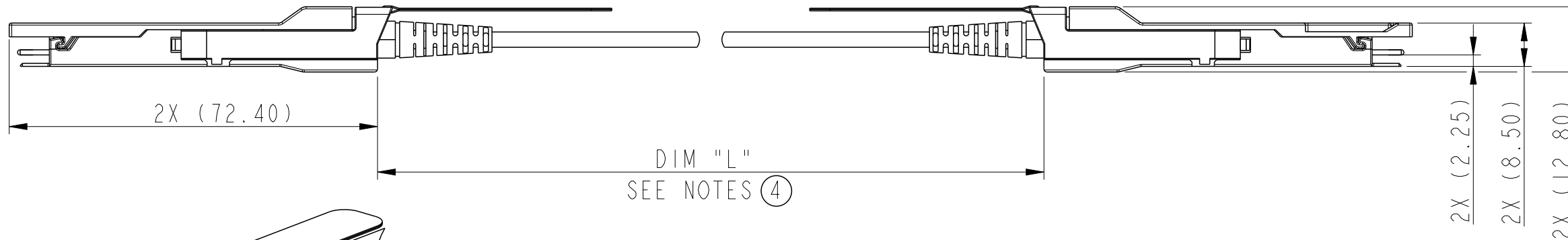
LENGTH  
 XX= METERS  
 EXAMPLE : 05 = 05 METERS (DIM "L")  
 C0 = 100 METERS (DIM "L")

DIGITAL DIAGNOSTIC MONITORING  
 D : WITH DDM SUPPORT  
 O : WITHOUT DDM SUPPORT



VIEW A

VIEW A



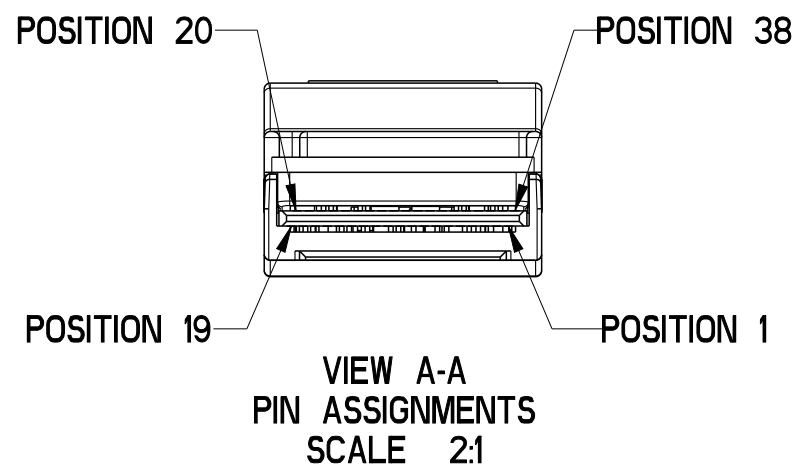
spec ref	-	dr	M Srinivasan	2011/12/09	projection	MM	size	A3	scale	1:1	
tolerance std	ASME Y14.5	eng	Andreas Krink	2012/03/14			ecn no	A3	rel level	Released	
TOLERANCES UNLESS OTHERWISE SPECIFIED		chr	-	2012/03/14							product family
surface	ASME Y14.5	appr	Sven Otte	2012/03/14			rel level	Released	title STRAIGHT BOOT PRODUCT ASSEMBLY QSFP+ AOC	dwg no ICD040GVP163X	rev D
					www.fci.com	cat. no.	-	Product - Customer Drw	sheet 1 of 2		

**PRODUCT NUMBER**

ICD040GVP163X-XX

**EDGE CONNECTOR PAD DESCRIPTION**

POSITION	SYMBOL	POSITION	SYMBOL
19	GND	20	GND
18	RX1n	21	RX2n
17	RX1p	22	RX2p
16	GND	23	GND
15	RX3n	24	RX4n
14	RX3p	25	RX4p
13	GND	26	GND
12	SDA	27	ModPrsL
11	SCL	28	IntL
10	VccRx	29	VccTx
9	ResetL	30	VccI
8	ModSeIL	31	LPMode
7	GND	32	GND
6	TX4p	33	TX3p
5	TX4n	34	TX3n
4	GND	35	GND
3	TX2p	36	TX1p
2	TX2n	37	TX1n
1	GND	38	GND



**NOTES:**

- MATERIAL:  
 COVERS : ZINC ALLOY/ COPPER UNDERPLATE/ NICKEL OVERPLATE  
 PULL TAB : THERMOPLASTIC POLYMER  
 LATCH RELEASE: ZINC ALLOY/ COPPER UNDERPLATE/ NICKEL OVERPLATE  
 DRIVE SCREWS: STAINLESS STEEL  
 STRAIN RELIEF BOOT : THERMOPLASTIC  
 SPRING : STAINLESS STEEL  
 PADDLE CARD: PRINTED CIRCUIT SUBSTRATE-FR4.  
 DUST COVER : POLY ETHYLENE  
 TOP & BOTTOM BLISTER (NOT SHOWN) : PET  
 PACKAGING: FOR CABLE-LENGTH >30M ONE BOX-SET IS USED INSTEAD OF TOP/BOTTOM BLISTER  
 BOX-SET MATERIAL: PAPERBOARD AND ANTISTATIC PLASTIC
- REFERENCE PRODUCT SPECIFICATION GS-XX-XXX FOR DETAILED SPECIFICATIONS.
- THIS PRODUCT MEETS THE RESTRICTION OF HAZARDOUS SUBSTANCES IN ELECTRICAL AND ELECTRONIC EQUIPMENT (RoHS).DIRECTIVE 2002/95/EC.
- THIS DIMENSION IS A FINISHED PRODUCT LENGTH.
- A "⚠" SYMBOL WILL BE NEXT TO ANY DIMENSION, VIEW, OR NOTE WHICH HAS BEEN MODIFIED WITH THE CURRENT DRAWING REVISION. THE CURRENT REVISION WILL BE SHOWN

drn M Srinivasan 2011/12/09		projection ⊕	MM	size A3	scale 2:1
eng Andreas Krink 2012/03/14				ecn no ELX-H-010740-1	
chr -				rel level Released	
apppr Sven Otte 2012/03/14		product family QSFP+ AOC			
tolerance std ASME Y14.5	TOLERANCES UNLESS OTHERWISE SPECIFIED		FCj		title STRAIGHT BOOT PRODUCT ASSEMBLY
surface ✓	linear	0.X ±0.3	www.fci.com	cat. no. -	Product - Customer Drw
		0.XX ±0.10			
		0.XXX ±0.05			
ASME Y14.5	angular	0° ±2°	sheet 2 of 2		

Copyright FCI.

## X-ON Electronics

Largest Supplier of Electrical and Electronic Components

*Click to view similar products for [Fiber Optic Cable Assemblies](#) category:*

*Click to view products by [Amphenol](#) manufacturer:*

Other Similar products are found below :

[7-21002-9](#) [760-1518](#) [FA04390-50-M-72-LC-N](#) [MLB 501 V RED](#) [MLB 501 V YELLOW](#) [8-21000-7](#) [8-21084-1](#) [FXE3-10BM15](#) [FXE3-10FM5](#) [FZB3-NM1](#) [1-3636-600-5208](#) [1-5018030-0](#) [ICD040GVP163D-07](#) [2901797](#) [1-6693182-0](#) [1754898-1](#) [F512D5-5F23Y](#) [F912B10-NM2](#) [FAP12WFDBDBDLCZ](#) [21055-6](#) [FXBSCSCE2LM002](#) [FXE3-10AM10](#) [FXE3-10AM20](#) [FXE3-10BM7](#) [FXE3-10FM15](#) [FXE3-10FM3](#) [FXE3-10FM4](#) [FXE3-10FM7](#) [FXE3-10GM3](#) [FZE10-10M6](#) [FZOPE10-10M5](#) [3000005](#) [3-21053-2](#) [MLB 200/1 V BLACK](#) [MLB 2001 V YELLOW](#) [MLB 501 V BLACK](#) [5492011-6](#) [106284-7000](#) [5492011-5](#) [5492011-8](#) [5492011-9](#) [CF-901201-007](#) [7-21000-4](#) [8-21007-5](#) [8-21084-0](#) [3-5106081-0](#) [106386-4447](#) [2-2064140-6](#) [F92ELLNSNSNM003](#) [2-2064140-3](#)