

PRODUCT NUMBER

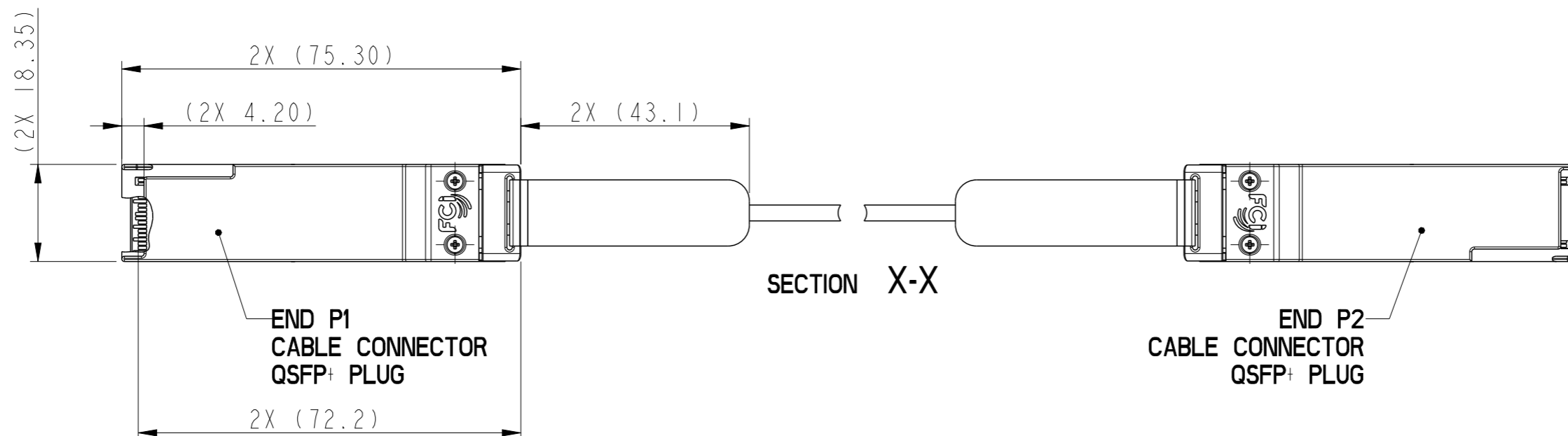
ICD056GVP163X-XX

PRODUCT NUMBER DESCRIPTION:

ICD056GVP163 X - XX

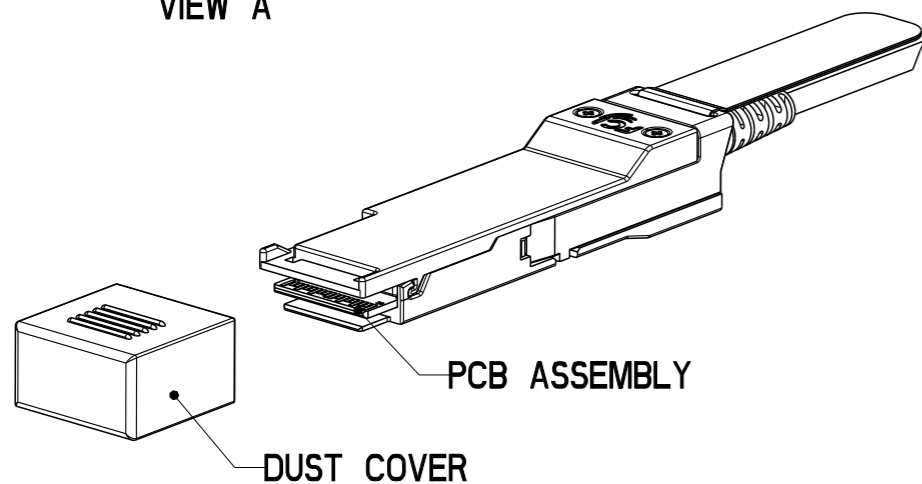
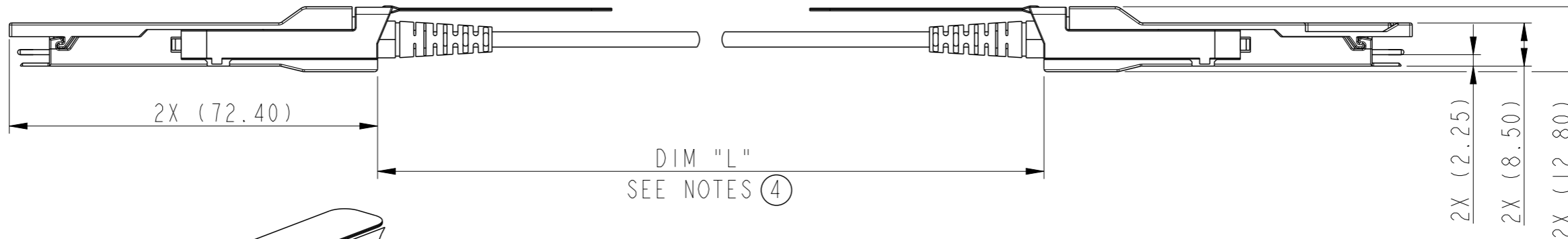
LENGTH  
XX= METERS  
EXAMPLE : 05 = 05 METERS (DIM "L")  
C0 = 100 METERS (DIM "L")

DIGITAL DIAGNOSTIC MONITORING  
D : WITH DDM SUPPORT



VIEW A

VIEW A



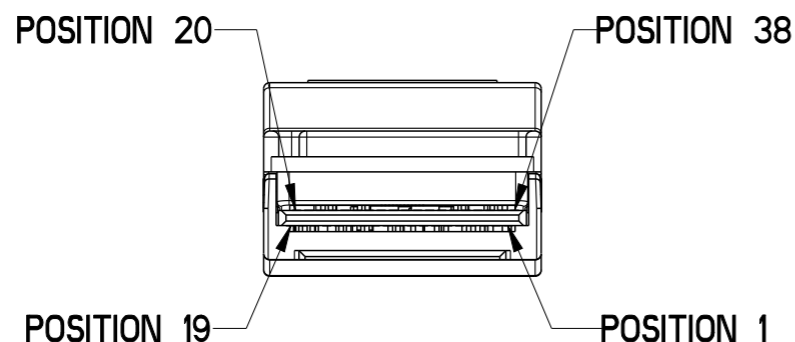
spec ref	-	dr	M Srinivasan	2012/05/02	projection	MM	size	A3	scale	1:1																	
tolerance std	ASME Y14.5	eng	Andreas Krink	2012/05/08			ecn no	-	rel level	Released																	
TOLERANCES UNLESS OTHERWISE SPECIFIED		chr	-	2012/05/08							product family	QSFP+ AOC															
surface	<table border="1"> <tr> <td>linear</td> <td>0.X</td> <td>±0.3</td> </tr> <tr> <td></td> <td>0.XX</td> <td>±0.10</td> </tr> <tr> <td></td> <td>0.XXX</td> <td>±0.05</td> </tr> <tr> <td>angular</td> <td>0°</td> <td>±2°</td> </tr> </table>	linear	0.X	±0.3		0.XX	±0.10		0.XXX	±0.05	angular	0°	±2°		<table border="1"> <tr> <td>title</td> <td>STRAIGHT BOOT PRODUCT ASSEMBLY</td> <td>dwg no</td> <td>ICD056GVP163X</td> <td>rev</td> <td>A</td> </tr> <tr> <td></td> <td>QSFP+ AOC FDR</td> <td>cat. no.</td> <td>-</td> <td>Product - Customer Drw</td> <td>sheet 1 of 2</td> </tr> </table>	title	STRAIGHT BOOT PRODUCT ASSEMBLY	dwg no	ICD056GVP163X	rev	A		QSFP+ AOC FDR	cat. no.	-	Product - Customer Drw	sheet 1 of 2
linear	0.X	±0.3																									
	0.XX	±0.10																									
	0.XXX	±0.05																									
angular	0°	±2°																									
title	STRAIGHT BOOT PRODUCT ASSEMBLY	dwg no	ICD056GVP163X	rev	A																						
	QSFP+ AOC FDR	cat. no.	-	Product - Customer Drw	sheet 1 of 2																						

**PRODUCT NUMBER**

ICD056GVP163X-XX

**EDGE CONNECTOR PAD DESCRIPTION**

POSITION	SYMBOL	POSITION	SYMBOL
19	GND	20	GND
18	RX1n	21	RX2n
17	RX1p	22	RX2p
16	GND	23	GND
15	RX3n	24	RX4n
14	RX3p	25	RX4p
13	GND	26	GND
12	SDA	27	ModPrsL
11	SCL	28	IntL
10	VccRx	29	VccTx
9	ResetL	30	VccI
8	ModSeIL	31	LPMode
7	GND	32	GND
6	TX4p	33	TX3p
5	TX4n	34	TX3n
4	GND	35	GND
3	TX2p	36	TX1p
2	TX2n	37	TX1n
1	GND	38	GND



**VIEW A-A  
PIN ASSIGNMENTS  
SCALE 2:1**

**NOTES:**

- MATERIAL:  
COVERS : ZINC ALLOY/ COPPER UNDERPLATE/ NICKEL OVERPLATE  
PULL TAB : THERMOPLASTIC POLYMER  
LATCH RELEASE: ZINC ALLOY/ COPPER UNDERPLATE/ NICKEL OVERPLATE  
DRIVE SCREWS: STAINLESS STEEL  
STRAIN RELIEF BOOT : THERMOPLASTIC  
SPRING : STAINLESS STEEL  
PADDLE CARD: PRINTED CIRCUIT SUBSTRATE-FR4.  
DUST COVER : POLY ETHYLENE  
TOP & BOTTOM BLISTER (NOT SHOWN) : PET  
PACKAGING: FOR CABLE-LENGTH >30M ONE BOX-SET IS USED INSTEAD OF TOP/BOTTOM BLISTER  
BOX-SET MATERIAL: PAPERBOARD AND ANTISTATIC PLASTIC
- REFERENCE PRODUCT SPECIFICATION GS-12-1059 FOR DETAILED SPECIFICATIONS.
- THIS PRODUCT MEETS THE RESTRICTION OF HAZARDOUS SUBSTANCES IN ELECTRICAL AND ELECTRONIC EQUIPMENT (RoHS). DIRECTIVE 2002/95/EC.
- THIS DIMENSION IS A FINISHED PRODUCT LENGTH.
- A "△" SYMBOL WILL BE NEXT TO ANY DIMENSION, VIEW, OR NOTE WHICH HAS BEEN MODIFIED WITH THE CURRENT DRAWING REVISION. THE CURRENT REVISION WILL BE SHOWN IN THE SYMBOL.



Copyright FCI.

spec ref	-	dr	M Srinivasan	2012/05/02	projection	MM	size	A3	scale	2:1															
tolerance std	ASME Y14.5	eng	Andreas Krink	2012/05/08			ecn no	-	rel level	Released															
	TOLERANCES UNLESS OTHERWISE SPECIFIED	chr	-	-																					
surface	<table border="1"> <tr><td>linear</td><td>0.X</td><td>±0.3</td></tr> <tr><td></td><td>0.XX</td><td>±0.10</td></tr> <tr><td></td><td>0.XXX</td><td>±0.05</td></tr> <tr><td>angular</td><td>0°</td><td>±2°</td></tr> </table>	linear	0.X	±0.3		0.XX	±0.10		0.XXX	±0.05	angular	0°	±2°	appr	Sven Otte	2012/05/08	product family	QSFP+ AOC			<table border="1"> <tr><td>dwg no</td><td>ICD056GVP163X</td></tr> <tr><td>rev</td><td>A</td></tr> </table>	dwg no	ICD056GVP163X	rev	A
linear	0.X	±0.3																							
	0.XX	±0.10																							
	0.XXX	±0.05																							
angular	0°	±2°																							
dwg no	ICD056GVP163X																								
rev	A																								
ASME Y14.5		www.fci.com	cat. no.	-	Product - Customer Drw	sheet 2 of 2																			

## X-ON Electronics

Largest Supplier of Electrical and Electronic Components

*Click to view similar products for [Fibre Optic Cable Assemblies](#) category:*

*Click to view products by [Amphenol](#) manufacturer:*

Other Similar products are found below :

[7-21002-9](#) [760-1518](#) [FA04390-50-M-72-LC-N](#) [MLB 501 V RED](#) [MLB 501 V YELLOW](#) [1-3636-600-5208](#) [2061529-7](#) [1-6693182-0](#)  
[1754898-1](#) [21055-6](#) [FXBSCSCE2LM002](#) [3-21053-2](#) [MLB 200/1 V BLACK](#) [MLB 2001 V RED](#) [MLB 2001 V YELLOW](#) [MLB 501 V](#)  
[BLACK](#) [5492011-6](#) [106284-7000](#) [5492011-5](#) [5492011-8](#) [5492011-9](#) [8-21007-5](#) [2123524-2](#) [2123524-1](#) [106386-4447](#) [DFSM-SCSC-2M](#)  
[2123909-4](#) [2123909-8](#) [106273-0629](#) [2125046-1](#) [2821236-3](#) [2821310-2](#) [2821310-3](#) [2821313-4](#) [FX2ERLNLNSNM0.5](#) [CF-980062-074](#) [CF-](#)  
[901200-394](#) [CF-980062-073](#) [CF-980062-071](#) [CF-980062-075](#) [CF-980062-072](#) [17-300310-100](#) [2821236-2](#) [2821313-1](#) [G-FC-FC-S-002.0-DX-](#)  
[A-18-Y](#) [G-E2A-E2A-S-003.0-SX-A-18-Y](#) [956-322-502214](#) [FA04474](#) [1111540](#) [1111843](#)