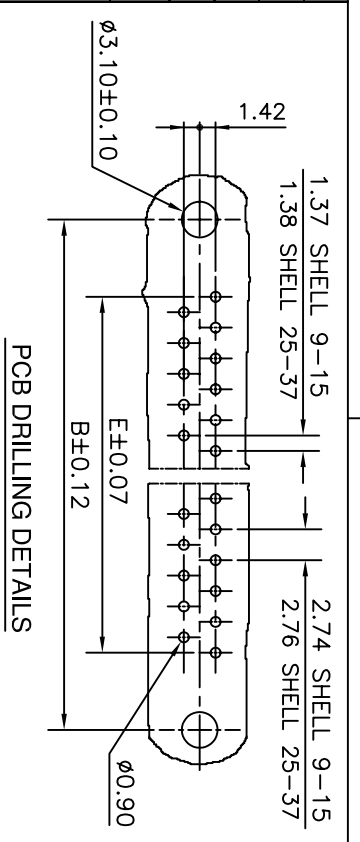
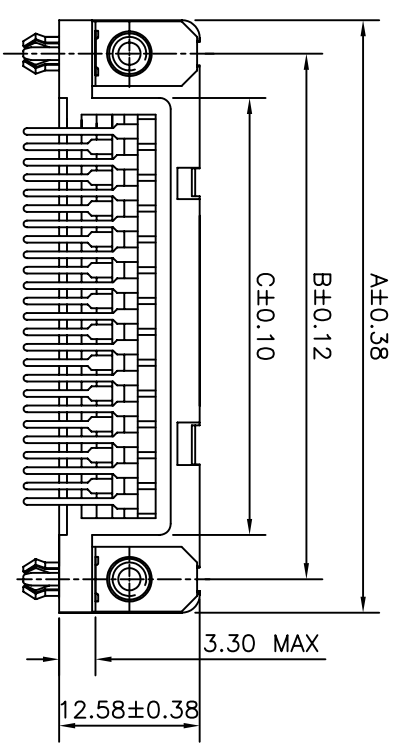
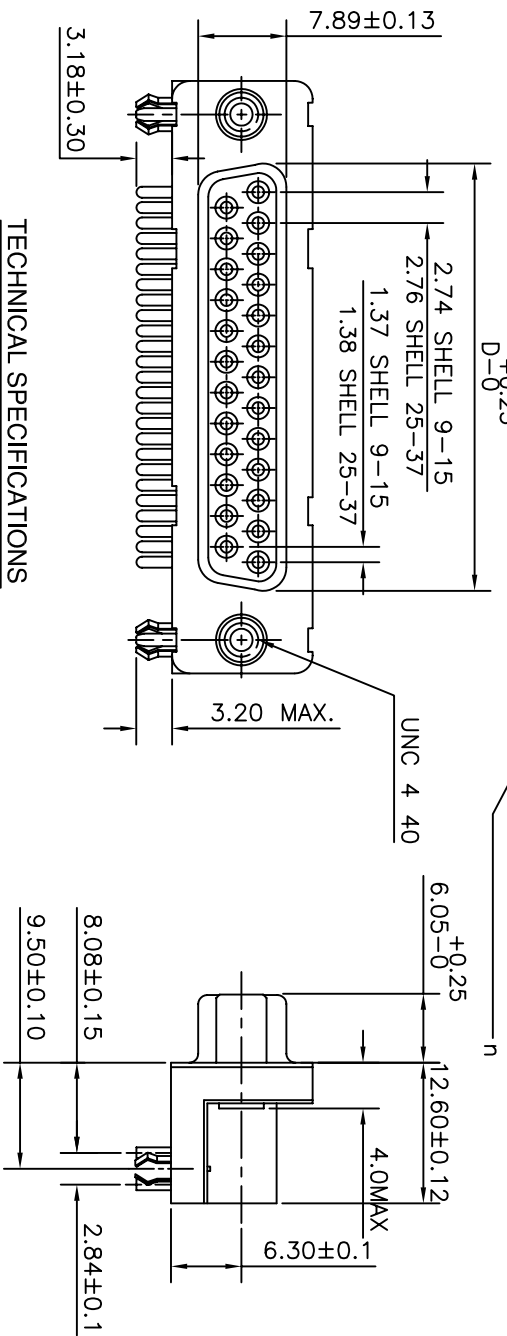
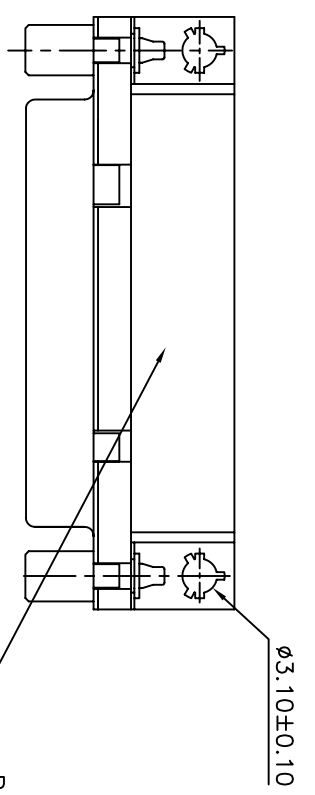


37	69.32	63.50	55.68	54.71	49.68
25	53.03	47.04	39.12	38.25	33.12
15	39.14	33.32	25.18	24.54	19.18
09	30.81	24.99	16.96	16.21	10.96
SHELL	A	B	C	D	E



ORDERING INFORMATION

SERIES | 1 | D | 2 | 5 | S | 3 | 3 | E | 4 | G | V | 0 | 0 | L | F |

NO.OF CONTACTS : 09, 15, 25 & 37
TYPE OF CONTACTS : S-SOCKET
TYPE OF TERMINATION : 33-ANGLED SPILL
PITCH 2.84 USA
FOOT PRINT 8.08 USA
HEIGHT OF TERMINATION : E-3.18 US STANDARD
LEAD FREE
SPECIAL CODE
 00->STANDARD
MOUNTING OPTIONS
 GV->HARPOON+F:SCREW LOCK UNC 4 40+METAL BRACKET
 PV->FEMALE SCREW LOCK UNC 4 40
 GI->HARPOON+F:SCREW LOCK M3+METAL BRACKET
PLATING
 4->FLASH Au+Sn/SnPb
 6->0.76µ Au+Sn/SnPb

TECHNICAL SPECIFICATIONS

MATERIAL
SHELL : STEEL TIN/Zinc Cr 3 PLATED.
INSULATORS : SELF EXTINGUISHING BLACK POLYESTER UL CLASS 94V0
 THE HOUSING WILL WITHSTAND EXPOSURE TO 260-265°C
 IF WE USE PROTECTIVE ADHESIVE (type Kapton or Teflon)
 OR PROTECTIVE METALLIC DEVICE
 : COPPER ALLOY

CONTACTS
PLATING
ACTIVE ZONE : GOLD OVER NICKEL
TERMINATION ZONE : TIN LEAD OVER NICKEL
FOR LEAD FREE PLATING : 2µMIN.MATTE TIN TOP OVER
 1.27µMIN.NICKEL UNDER PLATE(ON TERMINATION ZONE)
METAL BRACKET : BRASS.TIN/Zinc Cr 3 PLATED.
HARPOON : BRASS.TIN PLATED.
SCREW LOCK : BRASS.TIN/Zinc Cr 3 PLATED.

ELECTRICAL DATA
MAX CURRENT RATING : 5A
TEST VOLTAGE : 1000V
RATED VOLTAGE : 300V
CONTACT RESISTANCE : ≤ 25mΩ
SHELL RESISTANCE : ≤ 5mΩ
INSULATION RESISTANCE : ≥ 5000MΩ

ENVIRONMENTAL CHARACTERISTICS.
OPERATING TEMPERATURE RANGE : -55°C +125°C
MECHANICAL CHARACTERISTICS
MATING/UNMATING CYCLES (MIN) : 200 (FLASH Au); 500 (0.76µ Au)
INSERTION/EXTRACTION FORCE PER CONTACT : 5 N Max./ 0.3 N Min.



FCIconnect.com

Copyright FCI

*This LF product meets European Union Directives and other country regulations as described in GS-22-008"
 The housing will withstand exposure to 260°C peak temperature for 3.5 seconds in a wave solder application with a 1.6mm minimum thick circuit board.
 Packaging as per GS-14-920

mat'l. code	SEE NOTE 4	surface	ISO 1302	tolerance	ISO 406 ISO 1101	projection	MM	product family	DELTA-D
ltr	ecn no	dr	date	tolerances unless otherwise specified	angles	linear	MM	title	DELTA-D A/S FEMALE CONNECTOR (GV VER.) (WITH FEM. SCREW LOCK,HARPOON & METAL BRACKET)
D	106-0074	GVJ	2006/06/08		0°±1°	.00±0.1		dwg no	sheet 1 of 1
E	110-0034	NG	2010-01-30			.000±.00X		size	A3
								type	Product Customer Drawing
sheet index	revision	sheet	1						

X-ON Electronics

Largest Supplier of Electrical and Electronic Components

Click to view similar products for [D-Sub Standard Connectors](#) category:

Click to view products by [Amphenol](#) manufacturer:

Other Similar products are found below :

[56F706-005-LI](#) [56F711-015](#) [LV242999-142T12](#) [015-0341-000](#) [015-0372-005](#) [015-0372-008](#) [015-8755-001](#) [020419-0104](#) [012-0467-000](#)
[012-9507-034](#) [012-9507-114](#) [020745-0008](#) [609-25P](#) [CT2-14S-2PCA34](#) [CT2-18-11PCAU](#) [CT6-10SL-3SC](#) [CT6-10SL-4SC](#) [CT6-14S-2SC](#)
[CT6E14SA7SC](#) [CT6N10SL-4SSA34](#) [M83513/01-FC](#) [M83723/76W24619 L/C](#) [M85049/48-3-2F](#) [6STD09PCM99B70X](#) [6STD09SCM99B30X](#)
[6STD09SCT99S40X](#) [6STD15PCT99S40X](#) [6STD15SCT99S40X](#) [6STF09PCM05B70X](#) [7-135760-9](#) [MC11E-10-6SN](#) [747552-3](#) [MD1-21PS](#)
[MDM-15SCBRM7-F222](#) [MDM96517-699](#) [MDM96521-744](#) [MDVB1-21SL1](#) [MIK0-1-7SH003](#) [MIKQ6-7SH076](#) [MIKQ7-7PH077](#) [MIKQ7-](#)
[7PH11](#) [MIKQ7-7PH32](#) [MJSV-28SL61](#) [MKJ4A1F14-55S](#) [8-135760-3](#) [8STD09PCM99B30X](#) [PG-KV/PV-16-GROM-SEALING](#) [GDA15P](#)
[GDAY15PB](#) [980-0000-170](#)