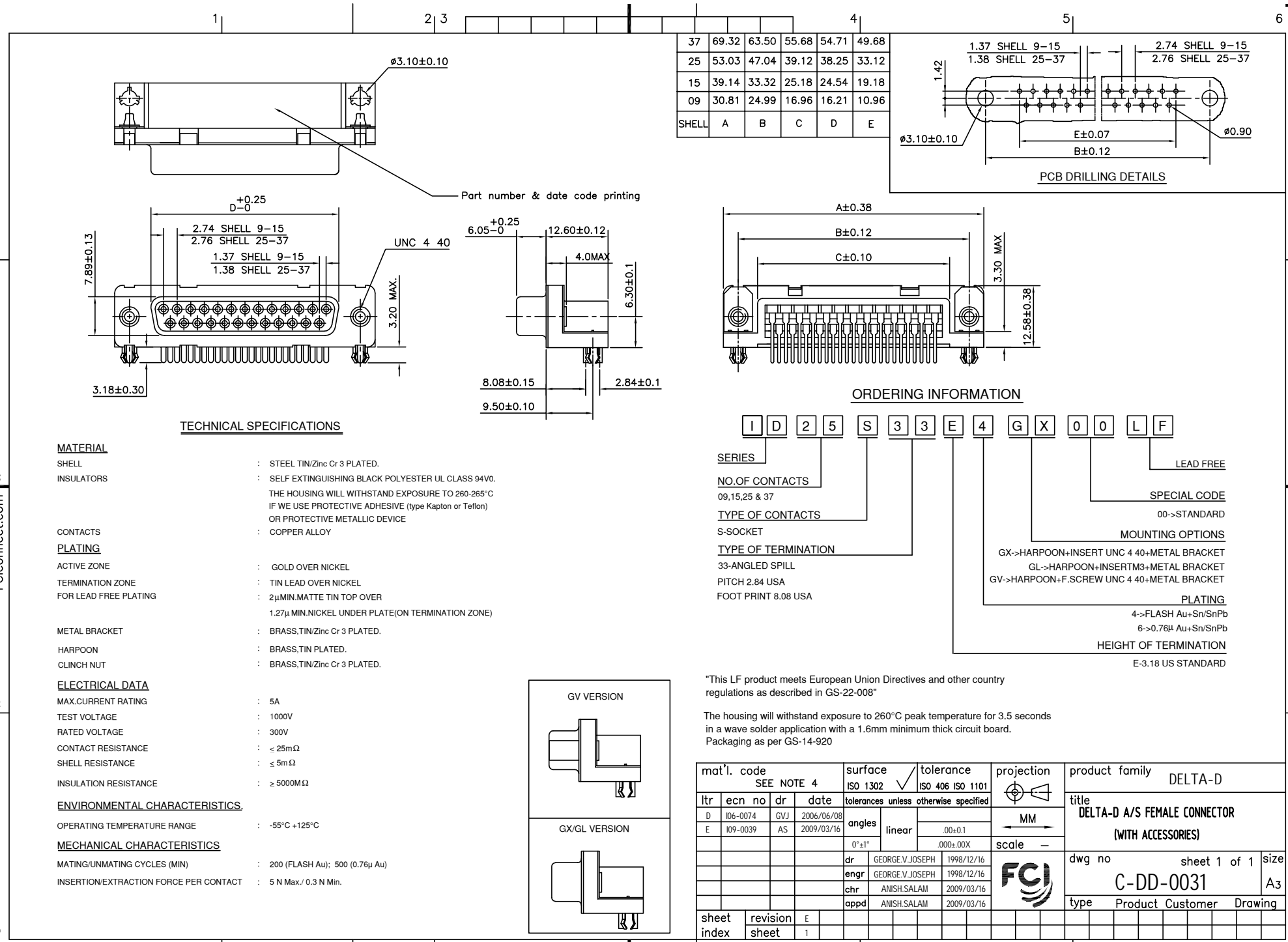




FCIconnect.com

Copyright FCI



TECHNICAL SPECIFICATIONS

- MATERIAL**
 - SHELL: STEEL TIN/Zinc Cr 3 PLATED.
 - INSULATORS: SELF EXTINGUISHING BLACK POLYESTER UL CLASS 94V0. THE HOUSING WILL WITHSTAND EXPOSURE TO 260-265°C IF WE USE PROTECTIVE ADHESIVE (Type Kapton or Teflon) OR PROTECTIVE METALLIC DEVICE
 - CONTACTS: COPPER ALLOY
- PLATING**
 - ACTIVE ZONE: GOLD OVER NICKEL
 - TERMINATION ZONE FOR LEAD FREE PLATING: TIN LEAD OVER NICKEL; 2µMIN.MATTE TIN TOP OVER; 1.27µ MIN.NICKEL UNDER PLATE(ON TERMINATION ZONE)
- METAL BRACKET**: BRASS,TIN/Zinc Cr 3 PLATED.
- HARPOON**: BRASS,TIN PLATED.
- CLINCH NUT**: BRASS,TIN/Zinc Cr 3 PLATED.

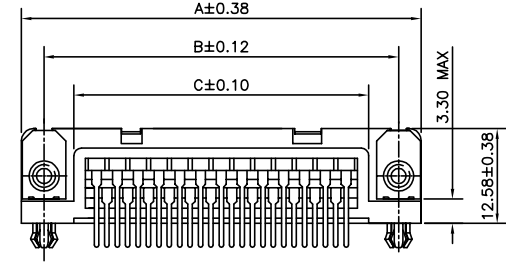
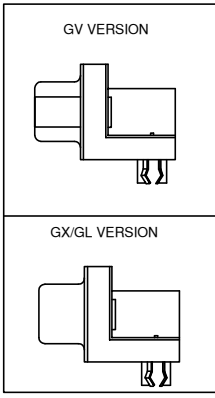
- ELECTRICAL DATA**
 - MAX.CURRENT RATING: 5A
 - TEST VOLTAGE: 1000V
 - RATED VOLTAGE: 300V
 - CONTACT RESISTANCE: ≤ 25mΩ
 - SHELL RESISTANCE: ≤ 5mΩ
 - INSULATION RESISTANCE: ≥ 5000MΩ

ENVIRONMENTAL CHARACTERISTICS.

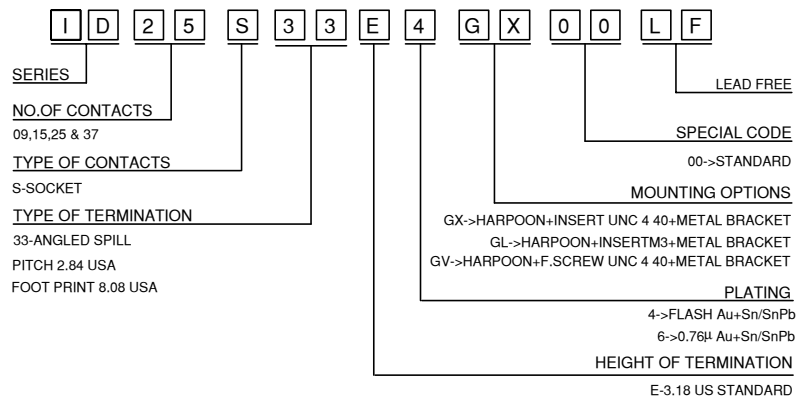
- OPERATING TEMPERATURE RANGE: -55°C +125°C

MECHANICAL CHARACTERISTICS

- MATING/UNMATING CYCLES (MIN): 200 (FLASH Au); 500 (0.76µ Au)
- INSERTION/EXTRACTION FORCE PER CONTACT: 5 N Max./ 0.3 N Min.



ORDERING INFORMATION



"This LF product meets European Union Directives and other country regulations as described in GS-22-008"

The housing will withstand exposure to 260°C peak temperature for 3.5 seconds in a wave solder application with a 1.6mm minimum thick circuit board. Packaging as per GS-14-920

mat'l. code		surface		tolerance		projection		product family	
SEE NOTE 4		ISO 1302		ISO 406 ISO 1101				DELTA-D	
ltr	ecn no	dr	date	tolerances unless otherwise specified				title	
D	106-0074	GVJ	2006/06/08	angles	linear	MM		DELTA-D A/S FEMALE CONNECTOR	
E	109-0039	AS	2009/03/16			scale		(WITH ACCESSORIES)	
		dr	GEORGE.V.JOSEPH	1998/12/16				dwg no	
		enrg	GEORGE.V.JOSEPH	1998/12/16				sheet 1 of 1	
		chr	ANISH.SALAM	2009/03/16				size	
		appd	ANISH.SALAM	2009/03/16				A3	
sheet index		revision sheet	E	type Product Customer Drawing					
		1							

X-ON Electronics

Largest Supplier of Electrical and Electronic Components

Click to view similar products for [D-Sub Standard Connectors](#) category:

Click to view products by [Amphenol](#) manufacturer:

Other Similar products are found below :

[56F706-005-LI](#) [56F711-015](#) [LV242999-142T12](#) [015-0341-000](#) [015-0372-005](#) [015-0372-008](#) [015-8755-001](#) [020419-0104](#) [012-0467-000](#)
[012-9507-034](#) [012-9507-114](#) [020745-0008](#) [609-25P](#) [CT2-18-11PCAU](#) [CT6-10SL-3SC](#) [CT6-10SL-4SC](#) [CT6-14S-2SC](#) [CT6E14SA7SC](#)
[CT6N10SL-4SSA34](#) [M83513/01-FC](#) [M83723/76W24619 L/C](#) [M85049/48-3-2F](#) [6STD09PCM99B70X](#) [6STD09SCM99B30X](#)
[6STD09SCT99S40X](#) [6STD15PCT99S40X](#) [6STD15SCT99S40X](#) [6STF09PCM05B70X](#) [7-135760-9](#) [MC11E-10-6SN](#) [747552-3](#) [MD1-21PS](#)
[MDM-15SCBRM7-F222](#) [MDM96517-699](#) [MDM96521-744](#) [MDVB1-21SL1](#) [MIK0-1-7SH003](#) [MIKQ6-7SH076](#) [MIKQ7-7PH077](#) [MIKQ7-](#)
[7PH11](#) [MIKQ7-7PH32](#) [MJSV-28SL61](#) [MKJ4A1F14-55S](#) [8-135760-3](#) [8STD09PCM99B30X](#) [PG-KV/PV-16-GROM-SEALING](#) [GDA15P](#)
[GDAY15PB](#) [980-0000-170](#) [980-0000-171](#)