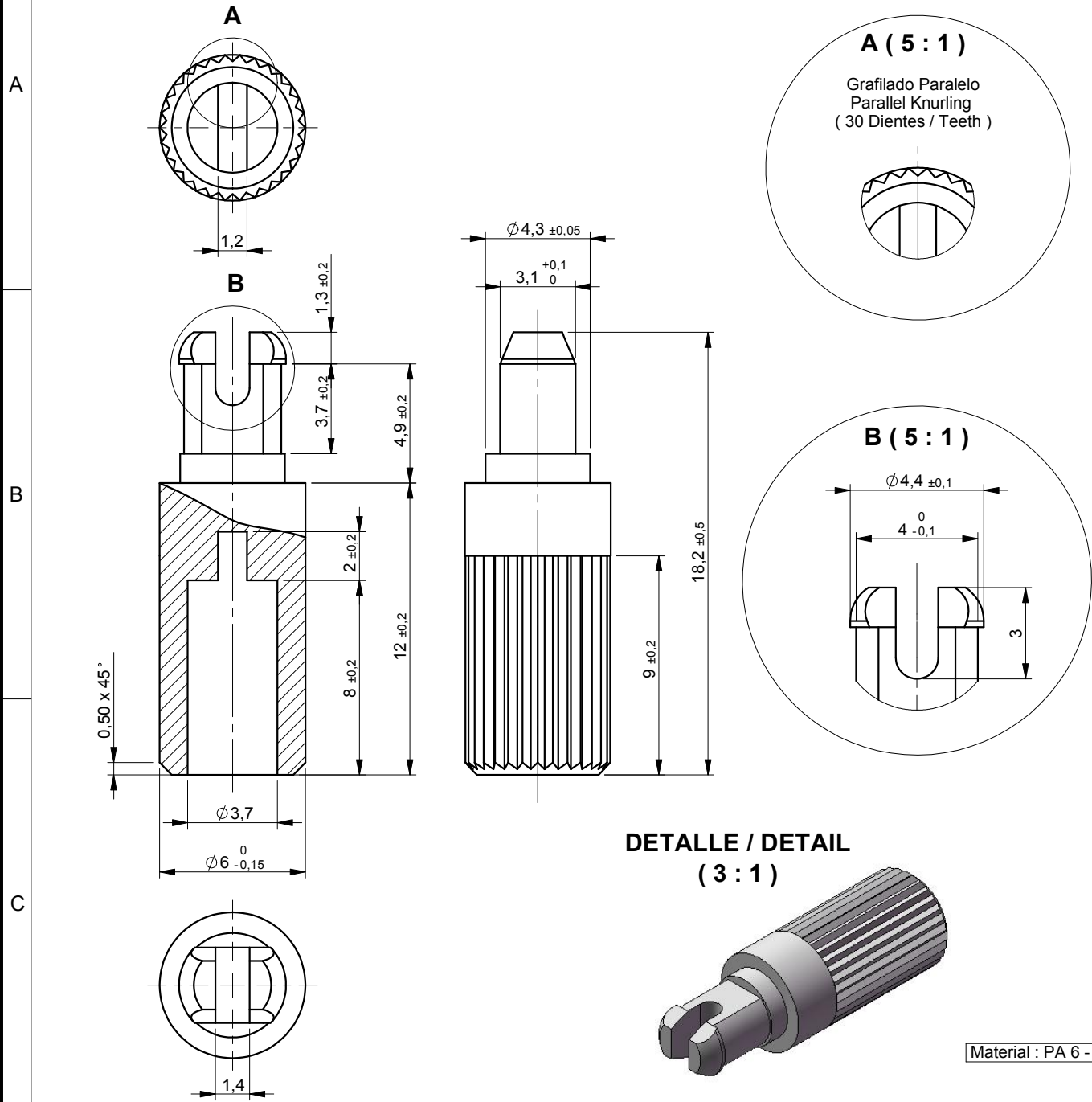
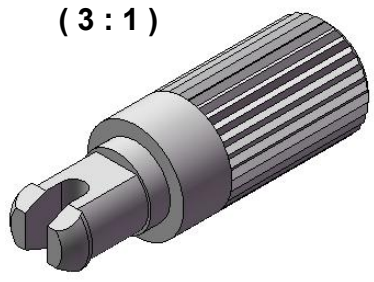




1	2	3		
INDICE INDEX	LOCAL. LOCAT.	MODIFICACION MODIFICATION	FECHA DATE	NOMBRE NAME
1	-	PUESTA EN MARCHA / LAUNCH TO PRODUCTION	Abr. - 72	LEÓN
2	-	ACTUALIZAR PLANO / UPDATE DRAWING	02-04-07	J.LIZAR



DETALLE / DETAIL  
(3 : 1)



Material : PA 6 - 6

Tolerancias Generales General Tolerances Angular : Angle : Pieza Part ± 0.5° Conjunto Assembly ± 5° Lineal : Linear : < 1 ± 0.05 1 ÷ 10 ± 0.10 > 10 ± 0.15	Elaborado Drawn	02-04-07	J.LIZAR	Firma Signed	 
	Comprobado Checked	02-04-07	E. JIMENEZ		
	Aprobado Approved	02-04-07	E. JIMENEZ		
<b>EJE / SHAFT</b> <b>Fig.1 (Ref. 5272)</b>					Variante Variant Tipo / Model <b>PT15</b>
Codigo Articulo Item Code <b>XBOPL5272---</b>					Referen / Ref. <b>10752</b>
					Curva / Curve
Escala . Scale <b>4 : 1</b>	Cliente Customer	Consulta / Filial Enquiry / Subs	Forma Pedido How To Order	5272---	
CAD 10752-2	Prohibida la reproducción total o parcial de esta hoja , asi como su traspaso a terceras personas Total or partial reproduction of this drawing is forbidden as well as handling it to a third				

## X-ON Electronics

Largest Supplier of Electrical and Electronic Components

*Click to view similar products for [Potentiometers](#) category:*

*Click to view products by [Amphenol](#) manufacturer:*

Other Similar products are found below :

[58C2-2](#) [590SX1N32F103SS](#) [591SXJ48S252SC](#) [591SXP56S252SC](#) [591SXP56S503SC](#) [D31409](#) [70B1G048K502X-A](#) [70B1M032S502W](#)  
[70B1N056S202W](#) [70B8N056F502W](#) [70J8N048S104U](#) [70L1N040P103W](#) [70L1N048P103X](#) [70L1N048S103W](#) [GA2L040S102UC](#)  
[GA2L040S103UC](#) [GS1G044P103UA](#) [GS1N048P103UA](#) [GS1T032S103UA](#) [A43-1500](#) [A43-20K](#) [A47-200K](#) [A4720K](#) [RA20LASD251A](#)  
[132-2-0-202](#) [RK14K1220-F25-C0-A103](#) [RK14K1220F25C0C104](#) [RK14K1220-F25-C1-B103](#) [14910FAGJSX10102KA](#)  
[14910FBGLFY00103KA](#) [14910AABHSX10103KA](#) [14910FAGJSX10104KA](#) [152-01031](#) [C0342008 5K](#) [P270-109A](#) [J97589](#) [23M728](#)  
[RV170F-10-15R1-B500K-0021](#) [RV8NAYS104A](#) [917523A](#) [A43-40](#) [A43-750](#) [A43S-5](#) [A47-15K](#) [A4750K](#) [SPPG048S103U](#)  
[SPPG056P103U](#) [SWE-10](#) [GA2G040F103BA](#) [GS1G052F103UA-A](#)