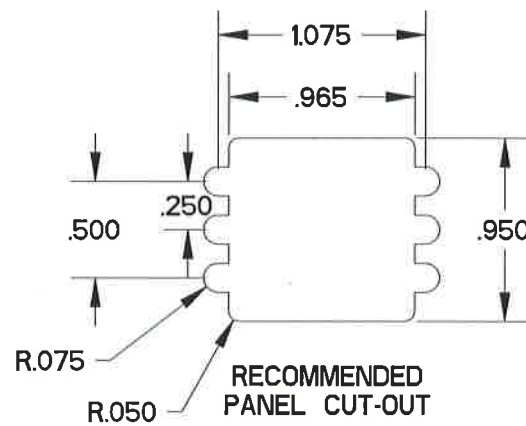
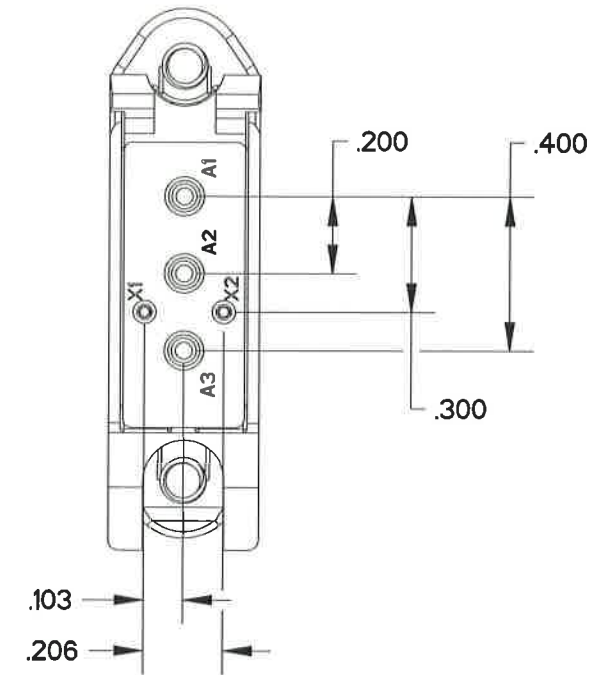
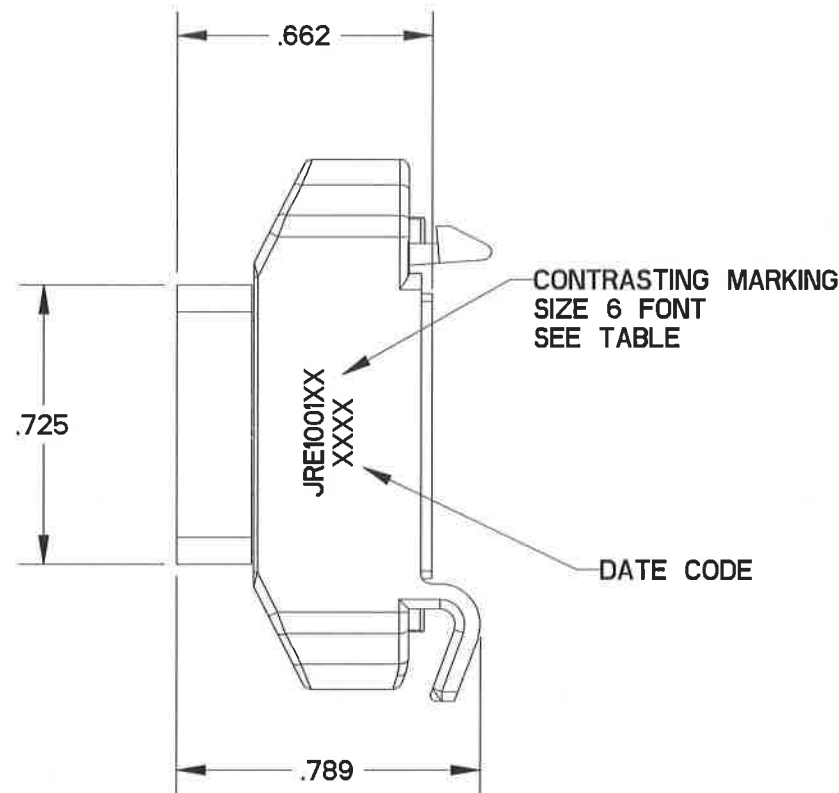
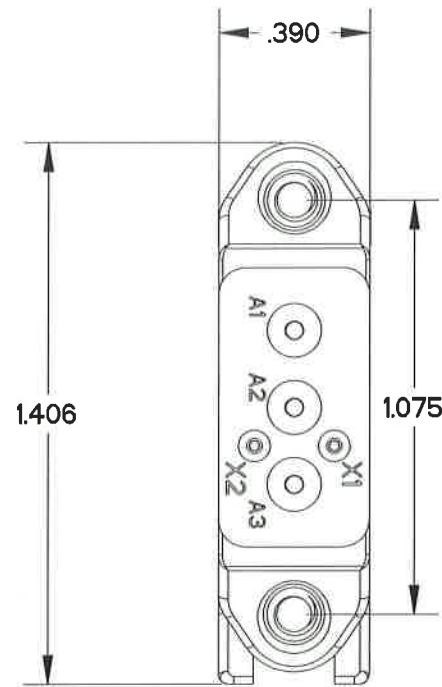


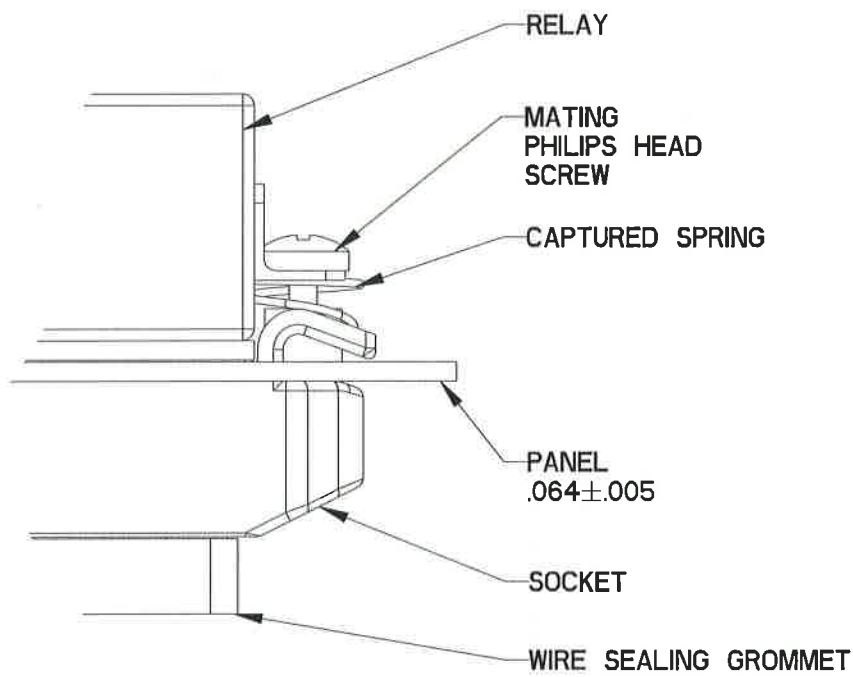
REV	ECN	APP'D
-	7567	<i>St/Slr</i>



NOTES:

- MATERIALS:
 HOUSING: POLYETHERIMIDE PER ASTM-D5205
 GROMMET: SILICONE RUBBER PER A-A-59588
 THREADED INSERT: STAINLESS STEEL
- OPERATING RANGE:
 TEMPERATAURE: -65 °C TO 125 °C
 INSULATION RESISTANCE: 1000 MEGOHMS MIN.
 DIELECTRIC WITHSTANDING VOLTAGE: 1500 VRMS AT SEA LEVEL AND 500 VRMS AT 80,000 FT. ALTITUDE
 VIBRATION: MIL-STD-202, METHOD 204, TEST CONDITION G
 SHOCK: MIL-STD-202, METHOD 213, TEST CONDITION C
- PART ACCEPTS M39029/101-554 AND M39029/92-552 SOCKET CONTACTS, SIZE 16/16 AND SIZE 22/22.

APCD P/N	HARDWARE PACKAGE	CONTACTS SUPPLIED
JRE100100	NONE	NONE
JRE100101	NONE	YES
JRE100110	YES	NONE
JRE100111	YES	YES



DIMENSIONS ANSI Y14.5M UNITS: INCHES Pro/E FILE	TOLERANCES .XX ±0.01 .XXX ±0.005 ANGLES ±0.5°	PROJECTION 	TITLE Amphenol Pcd SPECIFICATION DRAWING		QUICK MOUNT RELAY SOCKET 1 POLE REF: M12883/56-01	
			ENGR W. HEDBERG 7/28/15	SIZE B	DWG NO. JRE100100_C	REV -
ORIGINAL 	THIS DOCUMENT CONTAINS PROPRIETARY INFORMATION WHICH IS THE CONFIDENTIAL PROPERTY OF AMPHENOL PCD INC., BEVERLY, MA		APPD <i>William Lowe 8/4/15</i> <i>Stanley 8/5/15</i>	CODE: 58982	SCALE: 2:1	SHEET 1 OF 1

JRE100100_C

JRE100100_C

X-ON Electronics

Largest Supplier of Electrical and Electronic Components

Click to view similar products for [Relay Sockets & Fixings](#) category:

Click to view products by [Amphenol](#) manufacturer:

Other Similar products are found below :

[0000-825-81-00](#) [60SY4S05](#) [M41G](#) [670-0002](#) [670-0013](#) [670-0125](#) [670-0127](#) [6700152](#) [670-0153](#) [670-0154](#) [6700156](#) [D258-2TS00](#) [70-309](#) [7-1393143-3](#) [7-1616176-3](#) [7-1616360-5](#) [8000-DG2-5](#) [911361](#) [9-1616339-5](#) [PJF11N](#) [GDA16HD](#) [GDA95D](#) [GUA1](#) [GUA2-20](#) [GUR-120](#) [GUR-24](#) [GUR-240](#) [HE-91](#) [D52PR2T](#) [1310H-HDC](#) [1390H-1ST](#) [1410-2SM](#) [1410-3SM](#) [1419106-5](#) [1423685-1](#) [AS-11](#) [1510-1ST](#) [ATC18011](#) [ATC18012](#) [AX-4MS-40](#) [16-1197](#) [16-1278](#) [16-1328](#) [MSL09](#) [MSS09](#) [17540001](#) [N-11PC](#) [N-13PC](#) [N-13PC-BLK](#) [N-13S](#)