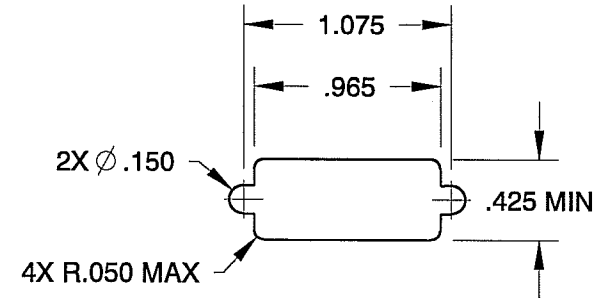
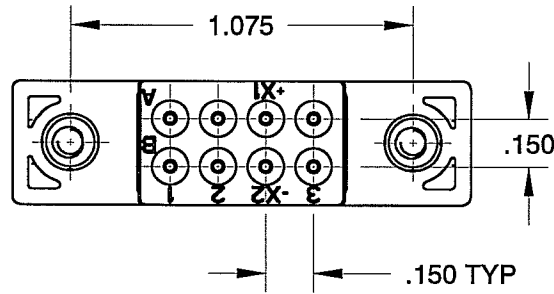
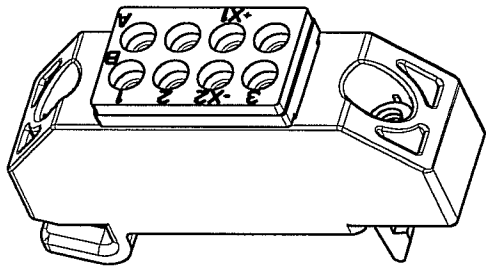


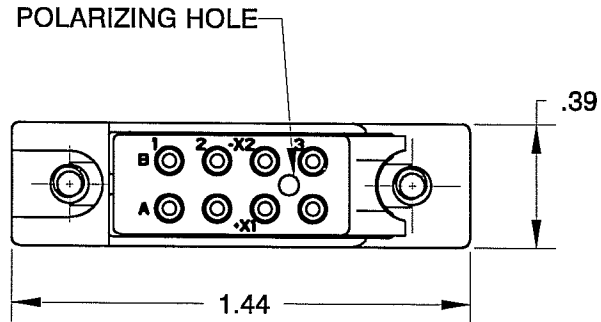
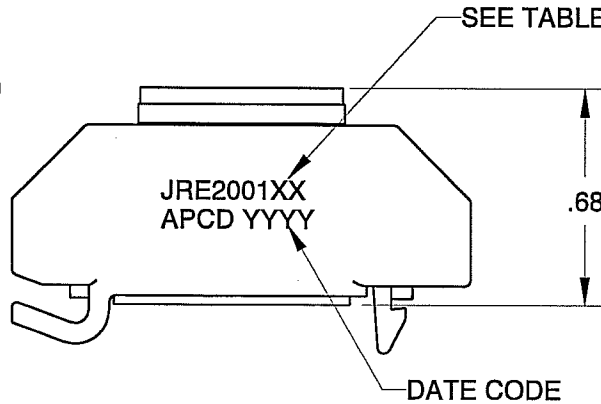
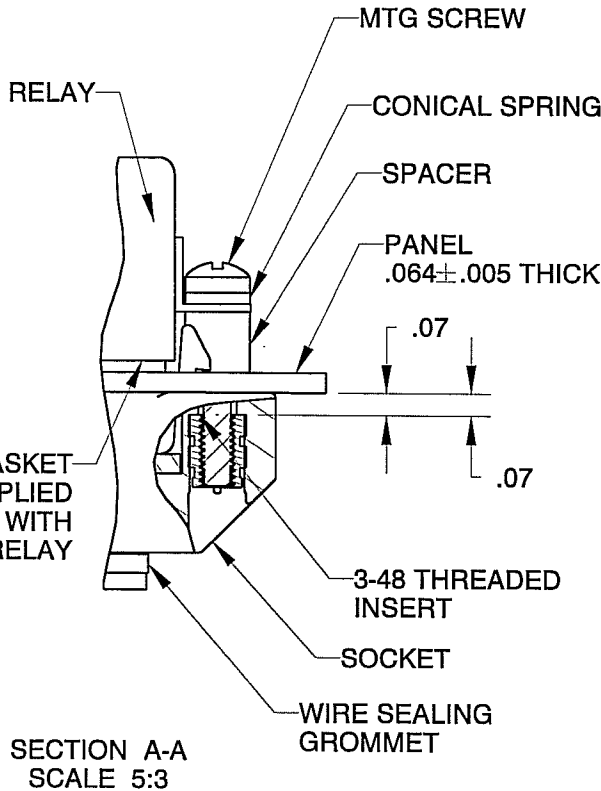
REV	ECN	APP'D
-	5277	JT 12-28-05
A	6078	6/12/07



REQUIRED  
PANEL CUT-OUT

NOTES:

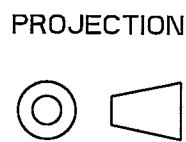
1. MATERIALS-  
SOCKET BODY: POLYETHERIMIDE PER ASTM-D-5205  
GROMMET: SILICONE RUBBER PER A-A-59588  
CONTACT RETAINERS: STAINLESS STEEL  
THREADED INSERTS: STAINLESS STEEL  
MOUNTING HARDWARE: STAINLESS STEEL
2. PART MEETS APPLICABLE REQUIREMENTS OF MIL-PRF-12883/45.
3. PART ACCEPTS M39029/101-553 SOCKET CONTACTS, SIZE 20/20 (SEE TABLE).
4. MOUNTING HARDWARE SEE TABLE.
5. WEIGHT: .0128 LBS (5.81 GRAMS), NOT INCLUDING HARDWARE AND CONTACTS.
6. OPERATING TEMPERATURE: -65° C TO 125° C.



APCD P/N	HARDWARE SUPPLIED	CONTACT PKG SUPPLIED
JRE200100	NO	NO
JRE200101	NO	YES
JRE200110	YES	NO
JRE200111	YES	YES

DIMENSIONS  
ANSI Y14.5M  
UNITS: INCHES  
Pro/E FILE

TOLERANCES  
.XX ±0.01  
.XXX ±0.005  
ANGLES ±2.0°



**Amphenol PCD**  
SPECIFICATION DRAWING

ENGR

S. KONDO 08-JUL-2003

CHKD

*K. Stamp 6/12/07*

APPD

JACK TON 12-28-05

TITLE

RELAY SOCKET,  
QUICK-MOUNT, BELOW PANEL,  
2-POLE, 5-AMP

ORIGINAL

THIS DOCUMENT CONTAINS  
PROPRIETARY INFORMATION WHICH  
IS THE CONFIDENTIAL PROPERTY  
OF AMPHENOL PCD  
PEABODY, MA, USA

SIZE

A

DWG NO.

JRE200100

REV

A

CODE: 58982

SCALE: NONE

SHEET 1 OF 1

## X-ON Electronics

Largest Supplier of Electrical and Electronic Components

*Click to view similar products for [Relay Sockets & Fixings](#) category:*

*Click to view products by [Amphenol](#) manufacturer:*

Other Similar products are found below :

[0000-825-81-00](#) [60SY4S05](#) [M41G](#) [670-0002](#) [670-0013](#) [670-0125](#) [670-0127](#) [6700152](#) [670-0153](#) [670-0154](#) [6700156](#) [D258-2TS00](#) [70-309](#) [7-1393143-3](#) [7-1616176-3](#) [7-1616360-5](#) [8000-DG2-5](#) [911361](#) [9-1616339-5](#) [PJF11N](#) [GDA16HD](#) [GDA95D](#) [GUA1](#) [GUA2-20](#) [GUR-120](#) [GUR-24](#) [GUR-240](#) [HE-91](#) [D52PR2T](#) [1310H-HDC](#) [1390H-1ST](#) [1410-2SM](#) [1410-3SM](#) [1419106-5](#) [1423685-1](#) [AS-11](#) [1510-1ST](#) [ATC18011](#) [ATC18012](#) [AX-4MS-40](#) [16-1197](#) [16-1278](#) [16-1328](#) [MSL09](#) [MSS09](#) [17540001](#) [N-11PC](#) [N-13PC](#) [N-13PC-BLK](#) [N-13S](#)