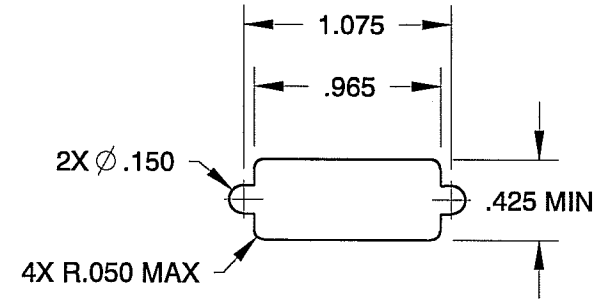
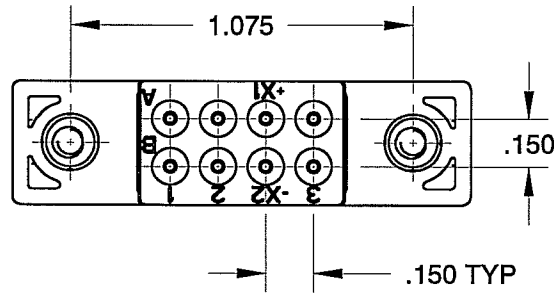
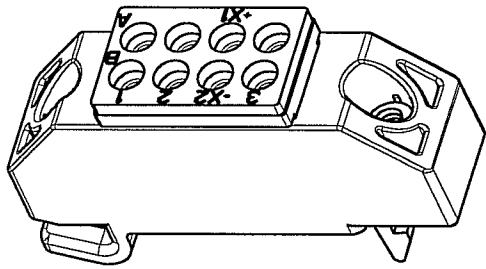


REV	ECN	APP'D
-	5277	JT 12-28-05
A	6078	6/12/07

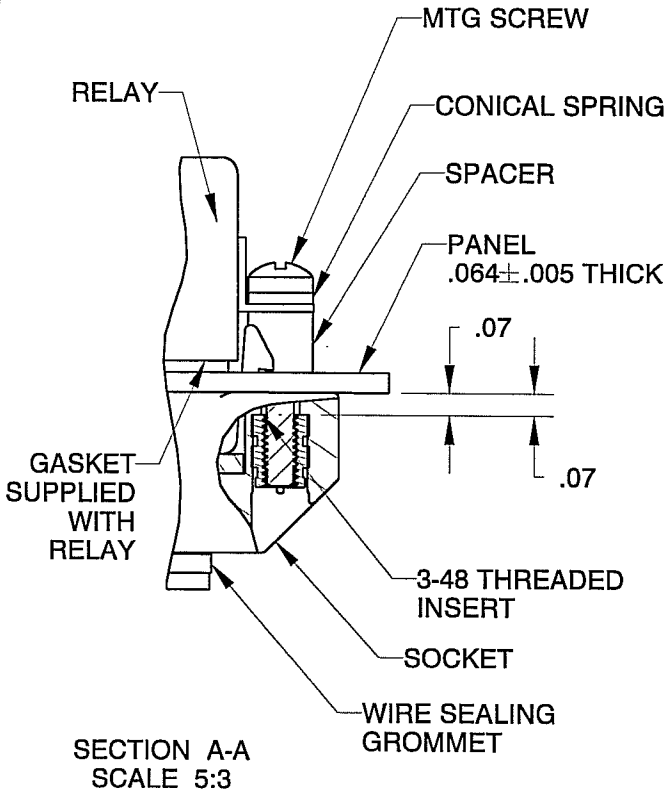
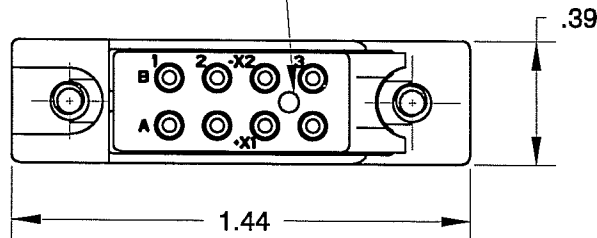
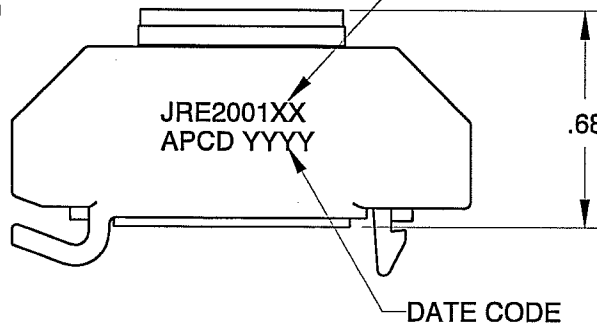


REQUIRED
PANEL CUT-OUT

NOTES:

1. MATERIALS-
SOCKET BODY: POLYETHERIMIDE PER ASTM-D-5205
GROMMET: SILICONE RUBBER PER A-A-59588
CONTACT RETAINERS: STAINLESS STEEL
THREADED INSERTS: STAINLESS STEEL
MOUNTING HARDWARE: STAINLESS STEEL
2. PART MEETS APPLICABLE REQUIREMENTS OF MIL-PRF-12883/45.
3. PART ACCEPTS M39029/101-553 SOCKET CONTACTS, SIZE 20/20 (SEE TABLE).
4. MOUNTING HARDWARE SEE TABLE.
5. WEIGHT: .0128 LBS (5.81 GRAMS), NOT INCLUDING HARDWARE AND CONTACTS.
6. OPERATING TEMPERATURE: -65° C TO 125° C.

APCD P/N	HARDWARE SUPPLIED	CONTACT PKG SUPPLIED
JRE200100	NO	NO
JRE200101	NO	YES
JRE200110	YES	NO
JRE200111	YES	YES



DIMENSIONS

ANSI Y14.5M
UNITS: INCHES
Pro/E FILE

TOLERANCES

.XX ±0.01
.XXX ±0.005
ANGLES ±2.0°

PROJECTION



Amphenol PCD
SPECIFICATION DRAWING

ENGR

S. KONDO 08-JUL-2003

CHKD

R. Stamp 6/12/07

APPD

JACK TON 12-28-05

TITLE

RELAY SOCKET,
QUICK-MOUNT, BELOW PANEL,
2-POLE, 5-AMP

ORIGINAL

THIS DOCUMENT CONTAINS
PROPRIETARY INFORMATION WHICH
IS THE CONFIDENTIAL PROPERTY
OF AMPHENOL PCD
PEABODY, MA, USA

SIZE

A

DWG NO.

JRE200100

REV

A

CODE: 58982

SCALE: NONE

SHEET 1 OF 1

X-ON Electronics

Largest Supplier of Electrical and Electronic Components

Click to view similar products for [Relay Sockets & Fixings](#) category:

Click to view products by [Amphenol](#) manufacturer:

Other Similar products are found below :

[00008258500](#) [00111976502](#) [0000-825-81-00](#) [60SY4S05](#) [M41G](#) [670-0125](#) [670-0127](#) [6700152](#) [670-0153](#) [6700156](#) [D258-2TS00](#) [70-309](#) [7-1393143-3](#) [7-1616360-5](#) [8000-DG2-5](#) [911361](#) [9-1616339-5](#) [PJF11N](#) [GDA12HA](#) [GDA12HD](#) [GDA12SA](#) [GDA12SD](#) [GDA16HD](#) [GDA22HA](#) [GDA95A](#) [GDA95D](#) [GFX20](#) [PT08QN](#) [PT 1/8 D = 3.2](#) [GUA1](#) [GUA2-11](#) [GUA4-04](#) [GUA4-31](#) [GUM5R](#) [GUR-120](#) [GUR-24](#) [GUR-240](#) [GUR-277](#) [GURX-277](#) [GUW12](#) [GUW95](#) [GUZ63L](#) [R99-11 FOR MY\(NAMEPLATE\)](#) [D52PR2T](#) [RES100K](#) [1310H-HDC](#) [1390H-1ST](#) [1393824-3](#) [1390H-2PC](#) [1410-2SM](#)