

Motion Control Selection Guide



A Resource for compatible products to
Allen-Bradley 2090 Cable Assemblies

We are Amphenol.

For over 80 years Amphenol has enjoyed success as the interconnection technology provider of choice to industry leading companies around the world. Our organization works with leading manufacturers across a wide range of applications - including Energy Generation & Distribution, Transportation, Heavy Equipment, Factory Automation, Wireless Outdoor, Information Technology and Data Communications Equipment, Mobile Devices, Mobile Networks, Broadband Communication, Military and Commercial Aerospace, Industrial, Automotive and Chip Card Readers - enabling smarter, faster and better technologies to connect products to customer solutions.

Our engineers design innovative combinations of industry standard connectors and application specific shielding components to create assembly systems that set the standards for performance, reliability, and cost effectiveness. Our engineering, materials, and manufacturing organizations meet the high standards imposed by ISO 9001:2008 as well as many customer specific quality systems. Our performance has earned us ship to stock and world class performance awards from many major OEMs.

We are one of the largest interconnect solution suppliers in the world and supply a wide range of product solutions globally. The industrial market footprint of Amphenol covers more than 30 countries.



© 2015 Amphenol Sine Systems Corporation. Every effort has been made to ensure that the information contained in this document is accurate at the time of publication. Specifications or information stated in this document are subject to change without notice. www.amphenol-sine.com +1 800 394 7732

Standard products. Custom solutions.

We can custom design, engineer and manufacture cable assemblies to your exact customer specifications and produce large or small quantities, all to the highest standards, delivered on-time and in-specification, all with a significant cost-savings over the competition.

By combining locally-based Program Management & Engineering, along with the associated cost advantages derived from manufacturing in our low-cost production centers in North America and Asia, our Team will work with you to design the most cost-efficient and reliable interconnect system available.



Single Motor Cable Overview

Amphenol's combined motor power supply, brake and digital feedback cables, specifically for servo motors with Hiperface DSL® interface, achieve the highest standards within a single cable technology. These 2090 Series C-track compatible cables are designed with high active and passive interference resistance capabilities especially suited for industrial environments requiring low capacitance to maximize system power density. Our continuous-flex cable assemblies are readily available with the Checkmate™ Quick-Locking connector and Metrifit™ strain relief system.

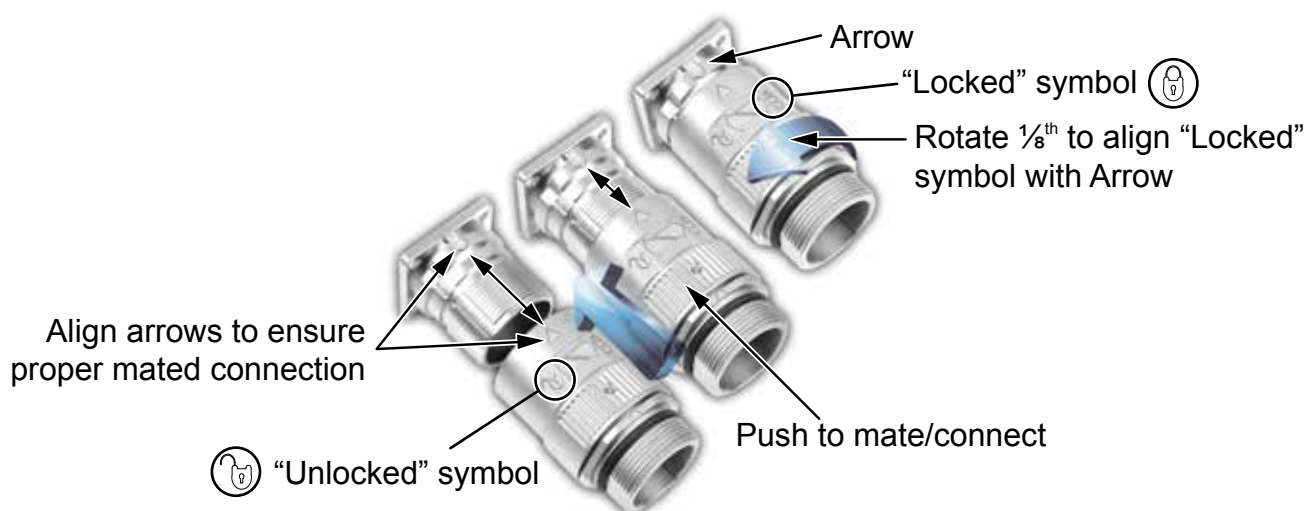


Ideally suited for the Motion marketplace, the Checkmate™ Quick-Locking Connectors' robust metal housing features enhanced performance for today's standard systems by increasing the reliability and performance of one of the most dependable interconnect systems on the market.

Amphenol began with first quality components in a highly functional and intuitive design incorporating a self-aligning cam locking pathway utilizing shell coding which eliminates mis-mating, component damage, or an unintended connection even in adverse conditions. Once proper insert alignment is assured, proper contact engagement is maintained with a precision anti-vibration ratcheting coupling eliminating unintentional disconnects. This secure Quick-Locking capability is accomplished in 1/8 of a turn. The resulting connection integrity ensures the highest reliability achieving vibration and shock capability up to 20g (vibration) and 50g (shock) in 3 axis.



The **Metrifit™ Strain Relief System** provides maximum 360° EMI/RFI shielding, with advanced sealing capability (IP67) suitable for harsh environments. Tamper proof design ensures a safe and secure system.

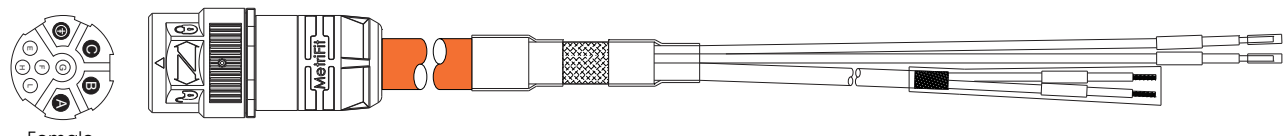


- Enhanced next generation anti-vibration dual-ratcheting coupling system. Checkmate™ is intermateable and compatible with rival M23 quick coupling products.
- Distinctive alignment arrows with lock/unlock identifiers (ensures a solid connection every time)
- Quick-locking reliability. 1/8th turn locks the connector vs traditional threaded style coupling
- Functional design allows for rapid orientation with tactile, visual and audible confirmation.
- Vibration and shock tested up to 20g (vibration) and 50g (shock) in 3 axis
- Secure connection ensures signal integrity and longer contact life
- Superior 360° shielding available
- Compact strain relief design allows for tighter clearances
- Greater fluid resistance with IP67 sealing
- Custom colors and labeling available



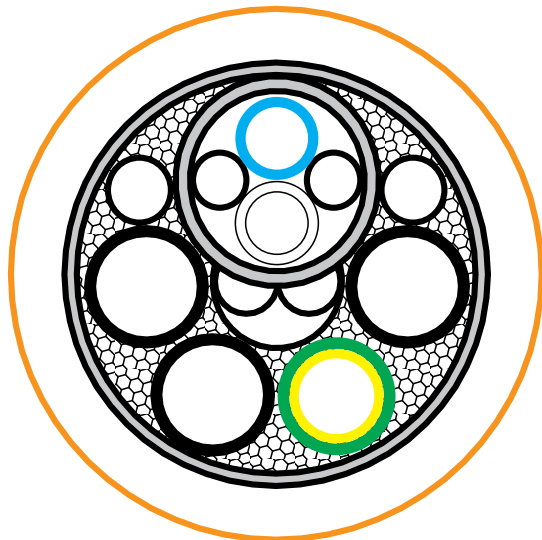

All materials meet the requirements of ISO 9001/2008

Single Motor, Hybrid Cable

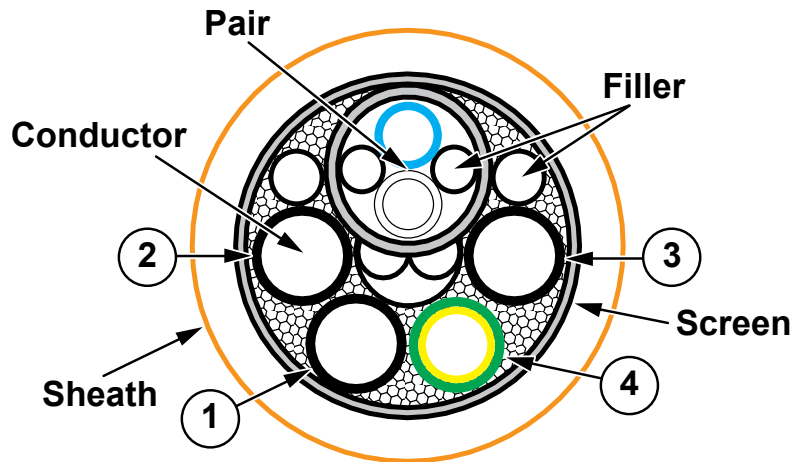
Rockwell Part Number	
2090-CSWM1DF-14AAxx	
Amphenol Part Number	Checkmate™ Description
P30628-Mxx	Single motor cable, M23, Checkmate™, 1000V Hybrid cable with 4 power(14awg), 2 feedback (digital communication), drive-end flying leads
Cable Configuration	
Motor/Actuator End	Drive End
	

Amphenol Part Number	Bulk Cable Description
KA-56646	CBL, 4 X 2.5mm² +(2 X 22AWG)C, 80°C, 1000V, AWM Style

See detailed KA-56646 Bulk Cable Specification on the following page.

	Nominal O.D.	0.51" (12.9mm)
	Jacket Color	Orange DESINA RAL 2003
	Jacket Material	Polyurethane (PUR)
	Flex Life	See detailed cable spec on next page.
	Shielding	Shield Tinned Copper Braid - Coverage ≥ 85%
		

Note: Motor receptacle o-ring required when using threaded DIN connectors. O-ring must be removed, if present, when using Checkmate™ Quick-Locking connectors.



Callout Descriptions

1-3: Black

Conductor: Bare stranded copper, class 6 acc. to EN 60228
 Conductor cross section 2.5mm²
 Insulation: TPM
 Wall Thickness approx. 0.5mm

4: Green/Yellow

Conductor: Bare stranded copper, class 6 acc. to EN 60228
 Conductor cross section 2.5mm²
 Insulation: TPM
 Wall Thickness approx. 0.5mm

Pair: White and Blue (with Fillers)

Conductor: Bare stranded copper, fine wire
 Conductor cross section 22AWG
 Insulation: PP - Wall Thickness approx. 0.6mm
 Wrapping: Plastic tape
 Screen: Tinned copper braid, optical coverage approx. 85%
 Metalized screen tape

Cable Assembly: Stranded with fillers over a core element

Sequence: Black #1 / Black #2 / Pair: White and Blue /
 Black #3 / Green-Yellow

Wrapping: Plastic tape

Screen: Tinned copper braid, optical coverage approx. 85%


Separating Layer: Non-woven tape, optional

Sheath: PUR, Orange DESINA RAL 2003 12.5mm ±
 0.3mm Wall thickness approx. 1.2mm

Cable Specifications

- Operating Voltage: 600V/1000V
- Conductor Resistance at 20°C: 22AWG: max. 51 Ω/km
 2.5mm²: max. 8.5 Ω/km
 (EN 50289-1-2)
- Insulation Resistance at 20°C: ≤ 1 GΩxkm
 (EN 50289-1-4)
- Dielectric strength test duration
 1 min. test voltage core/core
 4 kV, core/screen 2.5 kV: no breakdown
 (EN 50289-1-3)
- Impedance at 1MHz
 (CAN bus, pair 22AWG): 110 ± 10 Ω
 (EN 50289-1-11)
- Operating Temp
 -Fixed Installation: -40°C to +80°C
 -Moved Application: -20°C to +80°C
 For high mechanical stress
 (example drag chain) max. 60°C
- Max Tensile Strength
 -Static: 50 N/mm² conductor cross section
 -Dynamic: 20 N/mm² conductor cross section
- Single Bend: 5 x cable diameter
- Multiple Bend: 7.5 x cable diameter
- Trailing Chain
 -Min Bend Radius: 7.5 x cable diameter
 -Max Acceleration: 10 m/s²
 -Max Speed: 180 m/min
 -Max Horizontal
 -Operating Way: 5 m
 Number of Bendings: 5 million
- Max Torsion: ± 30 °/m
- Halogen Free: EN 50267-2-1
- Oil Resistance: EN 60811-2-1
- Flame Retardant: EN 60332-1-2

Description: PSLC11Y-J 4X2,5+(2X22AWG)CSt

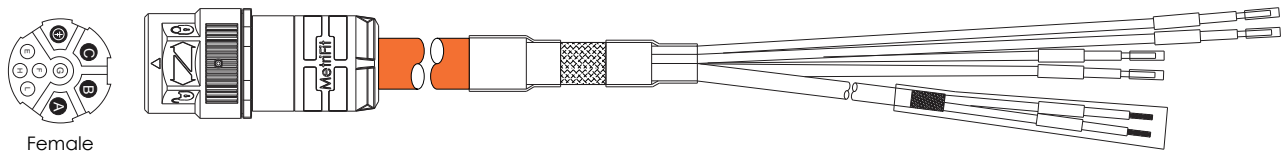
Cable Marking: AMPHENOL SINE SYSTEMS KA-56646 MOTIONLINE PREMIUM 4G2,5
 +(2X22AWG)C C C  US AWM STYLE 21223 AWM I/II A/B 80C 1000V FT1 DESINA ww/yy

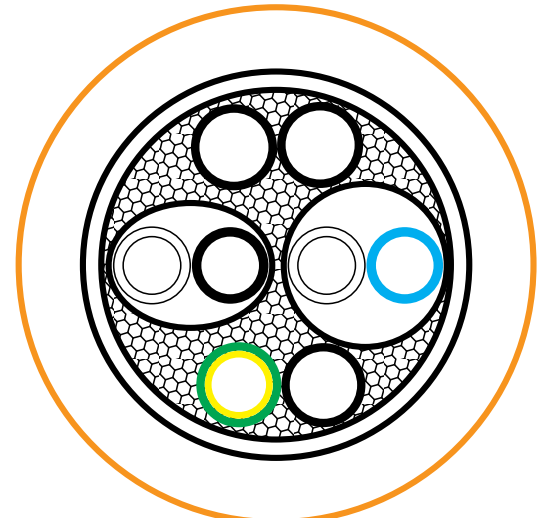

Amphenol Sine Systems



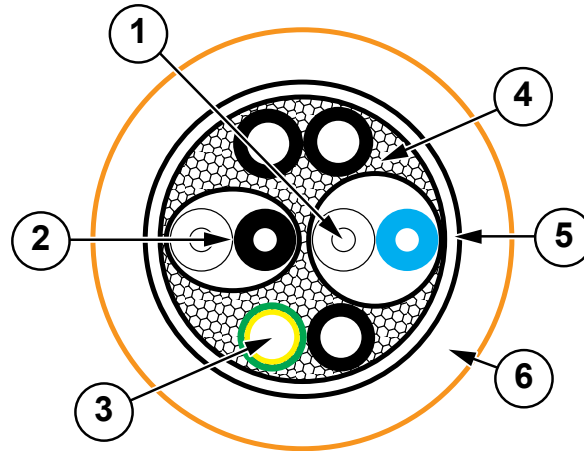
www.amphenol-sine.com

Single Motor, Hybrid Cable

Rockwell Part Number	
2090-CSBM1DF-14AAxx	
Amphenol Part Number	Checkmate™ Description
P30626-Mxx	Single motor cable, M23, Checkmate™, 1000V Hybrid cable with 4 power(14awg), 2 feedback (digital communication) and 2 brake conductors, drive-end flying leads
Cable Configuration	
Motor/Actuator End	Drive End
 <p>Female</p>	

Amphenol Part Number	Bulk Cable Description	
KA-56647	CBL, 2.5mm ² -4C, 22G-1PR, 1.0mm ² -1PR, 80°C, 1000V, AWM Style	
<i>See detailed KA-56647 Bulk Cable Specification on the following page.</i>		
	Nominal O.D.	0.55" (13.9mm)
	Jacket Color	Orange DESINA RAL 2003
	Jacket Material	Polyurethane (PUR)
	Flex Life	See detailed cable spec on next page.
	Shielding	Shield Tinned Copper Braid - Coverage ≥ 85%
		

Note: Motor receptacle o-ring required when using threaded DIN connectors. O-ring must be removed, if present, when using Checkmate™ Quick-Locking connectors.



Callout Descriptions

- 1: (2xAWG22)ST/SN (BUS)**
 - Bare Copper Conductor 0,34mm²
 - Polyolefin Insulation - Color White, Blue
 - 2 cores twisted with fillers + No-Woven Tape
 - Shield Tinned Copper Braid – Coverage ≥ 85%
 - Aluminized Tape (overlapped)
 - Plastic Tape (overlapped)
- 2: (2x1mm²)ST/N**
 - Conductor Bare Copper 1mm² (IEC 60228 Class 6)
 - Insulation Polyolefin - Color Black, White
 - 2 cores twisted + Plastic Tape
 - Shield Tinned Copper Braid – Coverage ≥ 85%
 - Plastic Tape (overlapped)
- 3: 4x2,5mm²**
 - Conductor Bare Copper 2.5mm² (IEC 60228 Class 6)
 - Insulation Polyolefin - Color Black
 - Numbered U/L1/C/L+, V/L2, W/L3/D/L-, Yellow/Green
- 4: Total Assembly**
 - Elements 1 - 2 - 3 with eventual fillers + no woven tape
- 5: Total Shield**
 - Shield Tinned Copper Braid - Coverage ≥ 85%
- 6: Overall Sheath**
 - No woven tape under sheath
 - Polyurethane Sheath, Nominal Diameter 14mm
 - Color Orange DESINA RAL 2003

Cable Specifications

Electrical Resistance at 20°C: ≤ 59,0 Ω/km (Section 0,34mm²)
 ≤ 19,5 Ω/km (Section 1,00mm²)
 ≤ 7,98 Ω/km (Section 2,50mm²)

Insulation Resistance 20°C: ≤ 500 MΩxkm
 Test Voltage: 3 kVa.c.
 Operating Voltage: 1000Va.c.

Capacitance 800÷1000Hz: 45±15 pF/m - (2x22AWG)ST/SN (BUS)
 Characteristic Impedance at 10MHz: 110±10 Ω - (2x22AWG)ST/SN (BUS)

Capacitance 800÷1000Hz: ≤ 90 pF/m (Conductor) 4x2,5mm²
 ≤ 150 pF/m (Conductor/Shield) 4x2,5mm²

Temperature Range: -40°C to +80°C
 (static, dynamic and storage)

Minimum Bending Radius: 5 x Ø (Static Use) - 7 x Ø (Dynamic Use)
 Max Speed: 300 m/min
 Max Acceleration: 50 m/s²
 Max Torsion: ± 30°/m
 Chain length: 20m
 Max Number of cycles: 5,000,000

Flame Resistance:
 CEI 20-35-1-2, EN 50265-1-2, IEC 60332-1-2, UL VW-1 – CSA FT1

Halogen Free:
 CEI 20-37, EN 50267-2-1, IEC 60754-1

Hydrocarbons and Oil Resistance:
 UL1581, VDE 0472 part 803 A/B, HD 22.10 S1, CNOMO E.03.40.150N

European Directives 2002/95/CE (RoHS - Reduction of Hazardous Substances) and 2002/96/CE (WEEE – Waste from Electrical and Electronic Equipment)

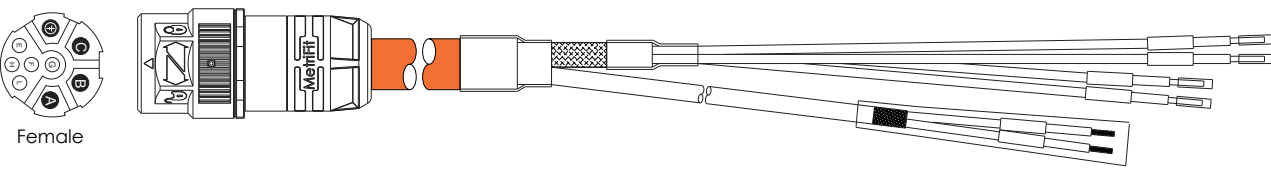
Description: FFE[4G2,5+(2x1)ST+(2xAWG22)ST/SN]ST/Rpu
Cable Marking: cULus AWM STYLE 21223 80°C 1000V - AWM I/II A/B 80°C 1000V FT1 – [4G2,5+(2x1)H2+(2xAWG22)H2H]H2 - (Week/Year) - DESINA - CE

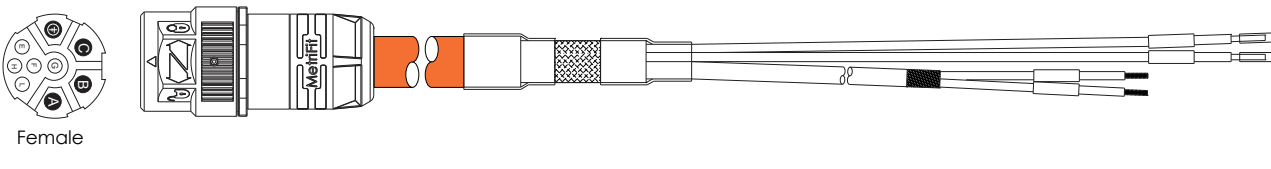
Amphenol Sine Systems

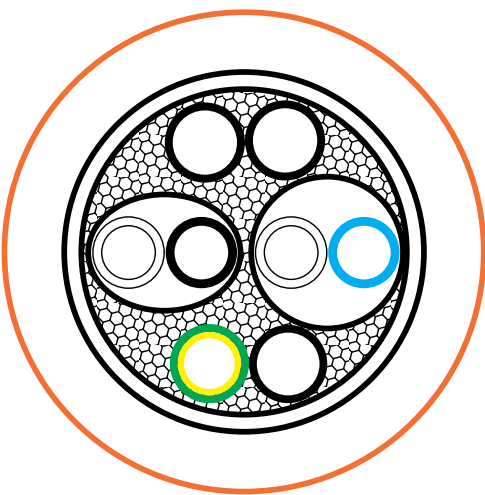



www.amphenol-sine.com

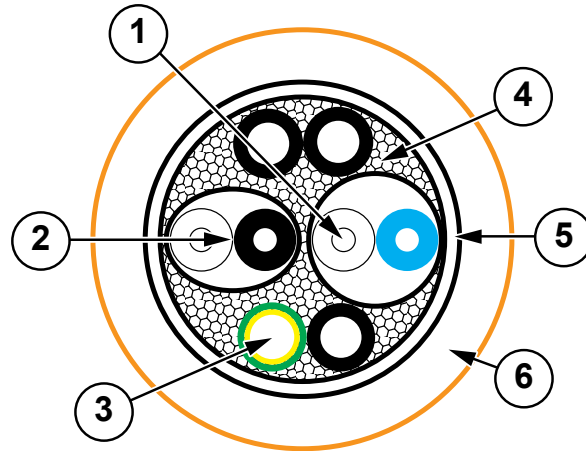
Single Motor, Hybrid Cable

Rockwell Part Number	
2090-CSBM1DF-18Axx	
Amphenol Part Number	Checkmate™ Description
P30627-Mxx	Single motor cable, M23, Checkmate™, 1000V Hybrid cable with 4 power(18awg), 2 feedback (digital communication) and 2 brake conductors, drive-end flying leads
Cable Configuration	
Motor/Actuator End	Drive End
 <p>Female</p>	

Rockwell Part Number	
2090-CSWM1DF-18Axx	
Amphenol Part Number	Checkmate™ Description
P30629-Mxx	Single motor cable, M23, Checkmate™, 1000V Hybrid cable with 4 power(18awg), 2 feedback (digital communication), drive-end flying leads
Cable Configuration	
Motor/Actuator End	Drive End
 <p>Female</p>	

Amphenol Part Number	Bulk Cable Description	
KA-56645	CBL, 1.0mm²-4C, 22G-1PR, 0.75mm²-1PR, 80°C, 1000V, AWM Style	
<i>See detailed KA-56645 Bulk Cable Specification on the following page.</i>		
	Nominal O.D.	0.47" (11.9mm)
	Jacket Color	Orange DESINA RAL 2003
	Jacket Material	Polyurethane (PUR)
	Flex Life	See detailed spec on next page.
	Shielding	Shield Tinned Copper Braid - Coverage ≥ 85%
		

Note: Motor receptacle o-ring required when using threaded DIN connectors. O-ring must be removed, if present, when using Checkmate™ Quick-Locking connectors.



Callout Descriptions

- 1: (2xAWG22)ST/SN (BUS)**
 - Bare Copper Conductor 0,34mm²
 - Polyolefin Insulation - Color White, Blue
 - 2 cores twisted with fillers + No-Woven Tape
 - Shield Tinned Copper Braid – Coverage ≥ 85%
 - Aluminized Tape (overlapped)
 - Plastic Tape (overlapped)
- 2: (2x0,75mm²)ST/N**
 - Conductor Bare Copper 0,75mm² (IEC 60228 Class 6)
 - Insulation Polyolefin - Color Black, White
 - 2 cores twisted + Plastic Tape
 - Shield Tinned Copper Braid – Coverage ≥ 85%
 - Plastic Tape (overlapped)
- 3: 4G1mm²**
 - Conductor Bare Copper 1mm² (IEC 60228 Class 6)
 - Insulation Polyolefin - Color Black
 - Numbered U/L1/C/L+, V/L2, W/L3/D/L-, Yellow/Green
- 4: Total Assembly**
 - Elements 1 - 2 - 3 with eventual fillers + no woven tape
- 5: Total Shield**
 - Shield Tinned Copper Braid - Coverage ≥ 85%
- 6: Overall Sheath**
 - No woven tape under sheath
 - Polyurethane Sheath, Nominal Diameter 11,9mm
 - Color Orange DESINA RAL 2003

Cable Specifications

Electrical Resistance at 20°C: ≤ 59,0 Ω/km (Section 0,34mm²)
 ≤ 26,0 Ω/km (Section 0,75mm²)
 ≤ 19,5 Ω/km (Section 1,00mm²)

Insulation Resistance 20°C: ≤ 500 MΩxkm
 Test Voltage: 3 kVa.c.
 Operating Voltage: 1000Va.c.

Capacitance 800 ÷ 1000Hz: 45 ± 15 pF/m - (2xAWG22)ST/SN (BUS)
 Characteristic Impedance at 10MHz: 110 ± 10 Ω - (2xAWG22)ST/SN (BUS)

Capacitance 800 ÷ 1000Hz: ≤ 90 pF/m (Conductor/Conductor) 4x1mm²
 ≤ 150 pF/m (Conductor/Shield) 4x1mm²

Temperature Range: -40°C to +80°C (static, dynamic and storage)

Minimum Bending Radius: 5 x Ø (Static Use) - 7 x Ø (Dynamic Use)
 Max Speed: 300 m/min
 Max Acceleration: 50 m/s²
 Max Torsion: ± 30°/m
 Chain length: 20m
 Max Number of cycles: 5,000,000

Flame Resistance: CEI 20-35-1-2, EN 50265-1-2, IEC 60332-1-2, UL VW-1, CSA FT1

Halogen Free: CEI 20-37, EN 50267-2-1, IEC 60754-1

Hydrocarbons and oil resistance: UL1581, VDE 0472 part 803 A/B, HD 22.10 S1, CNOMO E.03.40.150N

European Directives 2002/95/CE (RoHS - Reduction of Hazardous Substances) and 2002/96/CE (WEEE – Waste from Electrical and Electronic Equipment)



Description: FFE[4G1+(2X0,75)ST+(2X22AWG)ST/SN]ST/Rpu
Cable Marking: cULus AWM STYLE 21223 80°C 1000V - AWM I/II A/B 80°C 1000V FT1 – [4G1+(2x0,75)H2+(2xAWG22)H2H]H2 - (Week/Year) - DESINA - CE

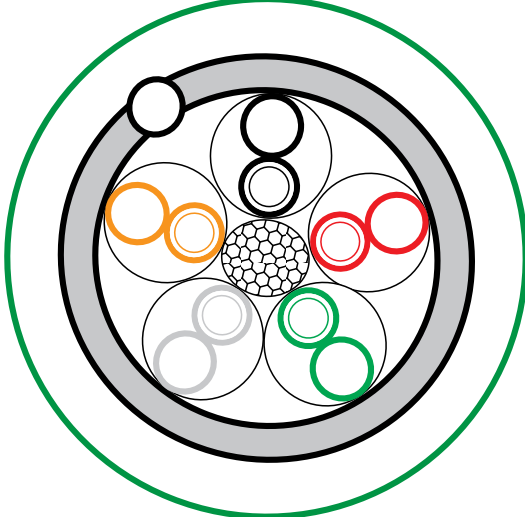

Amphenol Sine Systems



www.amphenol-sine.com



Motor Feedback, Non-flex

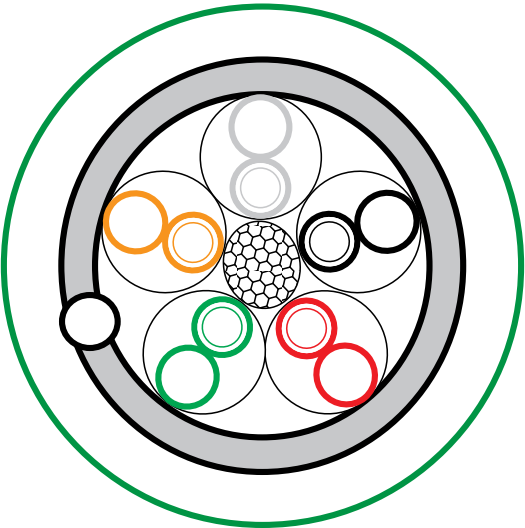

Rockwell Part Number	
2090-CFBM7DF-CEAxx	
Amphenol Part Number	Checkmate™ Description
CMP30380-Mxx	Non-flex, motor feedback cable, M23, Checkmate™, single ended, high-resolution or resolver applications CE
Cable Configuration	
Motor/Actuator End	Drive End
	
Female	
Amphenol Part Number	Threaded Din Description
P30380-Mxx	Non-flex, motor feedback cable, M23, threaded DIN, single ended, high-resolution or resolver applications CE
Cable Configuration	
Motor/Actuator End	Drive End
	
Female	

Amphenol Part Number	Bulk Cable Description	
KA-56615	5PR, 22AWG, 90°C, 300V, Type PLTC-ER, CSA AWM I/II A/B/ FT1	
	Nominal O.D.	0.38" (9.7mm)
	Jacket Color	Green RAL 6018
	Jacket Material	Pressure Extruded Flexible Thermoplastic Elastomer (TPE)
	Flex Life	Non-flex
	Shielding	Aluminum Foil - Coverage 100% + Shield Tinned Copper Braid - Coverage ≥ 85%
		

Note: Motor receptacle o-ring required when using threaded DIN connectors. O-ring must be removed, if present, when using Checkmate™ Quick-Locking connectors.

Motor Feedback, Continuous-flex

Rockwell Part Number	
2090-CFBM7DF-CEAFxx	
Amphenol Part Number	Checkmate™ Description
CMP30158-Mxx	Continuous-flex, motor feedback cable, M23, Checkmate™, single ended, high-resolution or resolver applications CE
Cable Configuration	
Motor/Actuator End	Drive End
 <p>Female</p>	
Amphenol Part Number	Threaded Din Description
P30158-Mxx	Continuous-flex, motor feedback cable, M23, threaded DIN, single ended, high-resolution or resolver applications CE
Cable Configuration	
Motor/Actuator End	Drive End
 <p>Female</p>	

Amphenol Part Number	Bulk Cable Description	
KA-56592	5PR, 22AWG, 90C 300V, TYPE PLTC-ER, UL AWM Style 90°C, 600V, CSA AWM I/II A/B/ FT1	
	Nominal O.D.	0.47" (11.8mm)
	Jacket Color	Green RAL 6018
	Jacket Material	Pressure Extruded Flexible Thermoplastic Elastomer (TPE)
	Flex Life	10M Cycles @ 10 X O.D.
	Shielding	Aluminum Foil - Coverage 100% + Shield Tinned Copper Braid - Coverage ≥ 85%
		

Note: Motor receptacle o-ring required when using threaded DIN connectors. O-ring must be removed, if present, when using Checkmate™ Quick-Locking connectors.

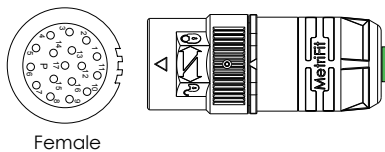
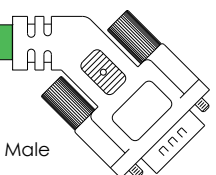
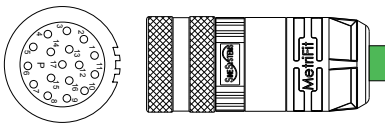
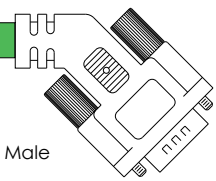
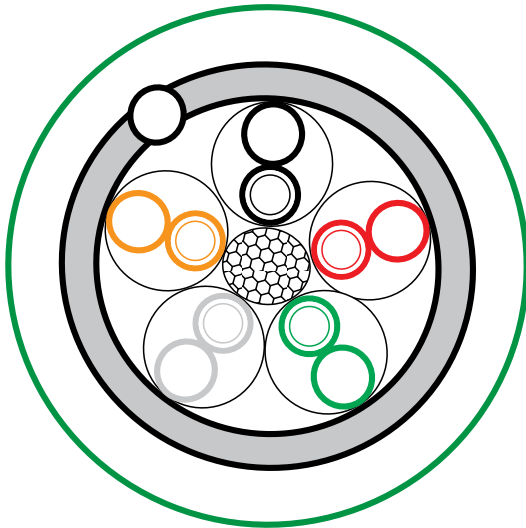

Motor Feedback, Continuous-flex

Rockwell Part Number	
2090-CFBM7E7-CEAFxx	
Amphenol Part Number	Checkmate™ Description
CMP30220-Mxx	Continuous-flex, motor feedback cable, M23, Checkmate™, drive-end (male), M23 CheckMate™ extension connector, high-resolution or resolver applications CE
Cable Configuration	
Motor/Actuator End	Drive End

Amphenol Part Number	Bulk Cable Description	
KA-56592	5PR, 22AWG, 90C 300V, TYPE PLTC-ER, UL AWM Style 90°C, 600V, CSA AWM I/II A/B/ FT1	
	Nominal O.D.	0.47" (11.8mm)
	Jacket Color	Green RAL 6018
	Jacket Material	Pressure Extruded Flexible Thermoplastic Elastomer (TPE)
	Flex Life	10M Cycles @ 10 X O.D.
	Shielding	Aluminum Foil - Coverage 100% + Shield Tinned Copper Braid - Coverage ≥ 85%

Note: Motor receptacle o-ring required when using threaded DIN connectors. O-ring must be removed, if present, when using Checkmate™ Quick-Locking connectors.

Motor Feedback, Non-flex

Rockwell Part Number		
2090-CFBM7DD-CEAxx		
Amphenol Part Number	Checkmate™ Description	
CMP30524-Mxx	Non-flex, motor feedback cable, M23, Checkmate™, drive-end 15-pin connector, high-resolution or resolver applications CE	
Cable Configuration		
Motor/Actuator End	Drive End	
 <p>Female</p>	 <p>Male</p>	
Amphenol Part Number	Threaded Din Description	
P30524-Mxx	Non-flex, motor feedback cable, M23, threaded DIN, drive-end 15-pin connector, high-resolution or resolver applications CE	
Cable Configuration		
Motor/Actuator End	Drive End	
 <p>Female</p>	 <p>Male</p>	
Amphenol Part Number	Bulk Cable Description	
KA-56615	5PR, 22AWG, 90°C, 300V, Type PLTC-ER, CSA AWM I/II A/B/ FT1	
	Nominal O.D.	0.38" (9.7mm)
	Jacket Color	Green RAL 6018
	Jacket Material	Pressure Extruded Flexible Thermoplastic Elastomer (TPE)
	Flex Life	Non-flex
	Shielding	Aluminum Foil - Coverage 100% + Shield Tinned Copper Braid - Coverage ≥ 85%
		

Note: Motor receptacle o-ring required when using threaded DIN connectors. O-ring must be removed, if present, when using Checkmate™ Quick-Locking connectors.

Motor Feedback, Continuous-flex

Rockwell Part Number		
2090-CFBM7DD-CEAFxx		
Amphenol Part Number	Checkmate™ Description	
CMP30219-Mxx	Continuous-flex, motor feedback cable, M23, Checkmate™, drive-end 15-pin connector, high-resolution or resolver applications CE	
Cable Configuration		
Motor/Actuator End	Drive End	
Amphenol Part Number	Threaded Din Description	
P30219-Mxx	Continuous-flex, motor feedback cable, M23, threaded DIN, drive-end 15-pin connector, high-resolution or resolver applications CE	
Cable Configuration		
Motor/Actuator End	Drive End	
Amphenol Part Number	Bulk Cable Description	
KA-56592	5PR, 22AWG, 90C 300V, TYPE PLTC-ER, UL AWM Style 90°C, 600V, CSA AWM I/II A/B/ FT1	
	Nominal O.D.	0.47" (11.8mm)
	Jacket Color	Green RAL 6018
	Jacket Material	Pressure Extruded Flexible Thermoplastic Elastomer (TPE)
	Flex Life	10M Cycles @ 10 X O.D.
	Shielding	Aluminum Foil - Coverage 100% + Shield Tinned Copper Braid - Coverage ≥ 85%

Note: Motor receptacle o-ring required when using threaded DIN connectors. O-ring must be removed, if present, when using Checkmate™ Quick-Locking connectors.

Motor Feedback, Continuous-flex


Rockwell Part Number	
2090-CFBM7DF-CDAFxx	
Amphenol Part Number	Checkmate™ Description
CMP28123-Mxx	Continuous-flex, motor feedback cable, single ended, M23, Checkmate™, high-resolution or incremental applications CD
Cable Configuration	
Motor/Actuator End	Drive End

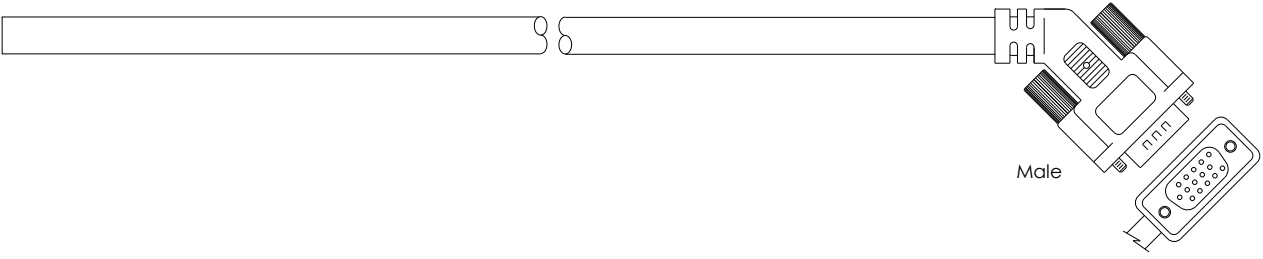
Rockwell Part Number	
2090-CFBM4DF-CDAFxx	
Amphenol Part Number	Threaded Din Description
P28123-Mxx	Continuous-flex, motor feedback cable, M23, threaded DIN, single ended
Cable Configuration	
Motor/Actuator End	Drive End

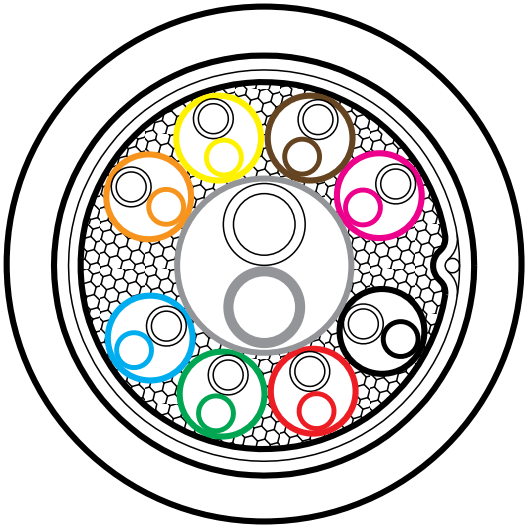

Amphenol Part Number	Bulk Cable Description	
KA-56312-GRN	1PR, 16AWG, 7PR 26AWG, 1PR 22AWG, Shielded, 105°C, 300V, VW-1 AWM Style	
	Nominal O.D.	0.43" (10.9mm)
	Jacket Color	Green RAL 6018
	Jacket Material	Pressure Extruded Flexible Thermoplastic Elastomer (TPE)
	Flex Life	10M Cycles @ 10 X O.D.
	Shielding	Shield Tinned Copper Braid, Double Spiral - Coverage = 95%

Note: Motor receptacle o-ring required when using threaded DIN connectors. O-ring must be removed, if present, when using Checkmate™ Quick-Locking connectors.

Motor Feedback, Non-flex

Rockwell Part Number	
2090-XXNFMF-Sxx	
Amphenol Part Number	Threaded Din Description
P29166-Mxx	Non-flex, motor feedback cable, M23, threaded DIN, single ended
Cable Configuration	
Motor/Actuator End	Drive End
 <p>Female</p>	

Rockwell Part Number	
2090-UXNFM-Sxx	
Amphenol Part Number	Threaded Din Description
P26855-Mxx	Non-flex, assembly, flying leads to drive end molded 15 position connector
Cable Configuration	
Motor/Actuator End	Drive End
 <p>Male</p>	

Amphenol Part Number	Bulk Cable Description	
KA-56133	1PR 16AWG, 7PR 28AWG, 1PR 22AWG, Shielded, 105°C, 300V, VW-1 AWM Style	
	Nominal O.D.	0.38" (9.7mm)
	Jacket Color	Black
	Jacket Material	Pressure Extruded Flexible Thermoplastic Elastomer (TPE)
	Flex Life	Non-flex
	Shielding	Aluminum Foil - Coverage 100% + Shield Tinned Copper Braid - Coverage ≥ 85%
		

Note: Motor receptacle o-ring required when using threaded DIN connectors. O-ring must be removed, if present, when using Checkmate™ Quick-Locking connectors.

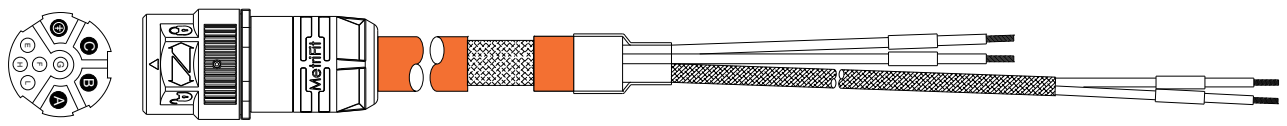
Motor Feedback, Non-flex

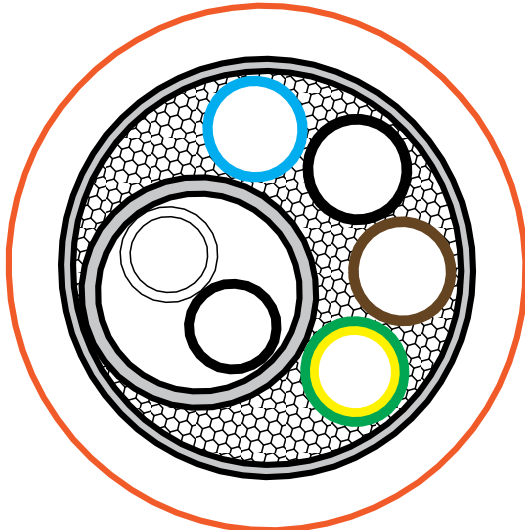

Rockwell Part Number	
2090-CFBM6DF-CBAAx	
Amphenol Part Number	Threaded Din Description
MX-P29418-Mxx	Non-flex, motor feedback cable, standard, single ended, high-resolution, battery backup, or incremental applications CB
Cable Configuration	
Motor/Actuator End	Drive End
Female	

Rockwell Part Number	
2090-CFBM6DD-CCAAxx	
Amphenol Part Number	Threaded Din Description
MX-P29419-Mxx	Non-flex, motor feedback cable, standard, drive-end 15-pin connector, incremental applications only CC
Cable Configuration	
Motor/Actuator End	Drive End
Female	
Male	

Amphenol Part Number	Bulk Cable Description	
KA-50203	8PR, 28AWG, 1PR 16AWG, Shielded, 105°C, 300V, VW-1 AWM Style	
	Nominal O.D.	0.39" (9.9mm)
	Jacket Color	Black
	Jacket Material	Pressure Extruded Flexible Thermoplastic Elastomer (TPE)
	Flex Life	Non-flex
	Shielding	Aluminum Foil - Coverage 100% + Shield Tinned Copper Braid - Coverage ≥ 85%

Motor Power, Non-flex

Rockwell Part Number	
2090-CPBM7DF-16AAxx	
Amphenol Part Number	Checkmate™ Description
CMP30152-Mxx	Non-flex, motor power with brake cable, 16AWG, M23, Checkmate™, flying leads
Cable Configuration	
Motor/Actuator End	Drive End
 <p>Female</p>	

Amphenol Part Number	Bulk Cable Description	
KA-56578	4/C, 16AWG, 1PR, Shielded, 18AWG+ Overall Shield, 90°C, 600V, TYPE TC-ER	
	Nominal O.D.	0.50" (12.7mm)
	Jacket Color	Orange DESINA RAL 2003
	Jacket Material	Pressure Extruded Flexible Thermoplastic Elastomer (TPE)
	Flex Life	Non-flex
	Shielding	Shield Tinned Copper Braid - Coverage ≥ 85%
		

Note: Motor receptacle o-ring required when using threaded DIN connectors. O-ring must be removed, if present, when using Checkmate™ Quick-Locking connectors.

Motor Power, Continuous-flex

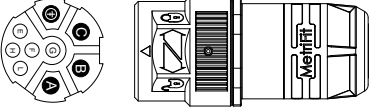
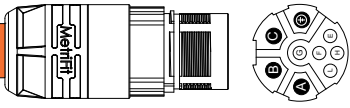
Rockwell Part Number	
2090-CPBM7DF-16AFxx	
Amphenol Part Number	Checkmate™ Description
CMP30159-Mxx	Continuous-flex, motor power with brake cable, 16AWG, M23, Checkmate™ flying-leads
Cable Configuration	
Motor/Actuator End	Drive End
<p>Female</p>	



Rockwell Part Number	
2090-CPBM4DF-16AFxx	
Amphenol Part Number	Threaded Din Description
P30159-Mxx	Continuous-flex, motor power with brake cable, 16AWG, M23, threaded DIN, flying-leads
Cable Configuration	
Motor/Actuator End	Drive End
<p>Female</p>	

Amphenol Part Number	Bulk Cable Description	
KA-56593	4/C, 16AWG, 1PR, Shielded, 18AWG+ Overall Shield, 105°C, 600V, UL AWM Style	
	Nominal O.D.	0.46" (11.7mm)
	Jacket Color	Orange DESINA RAL 2003
	Jacket Material	Pressure Extruded Flexible Thermoplastic Elastomer (TPE)
	Flex Life	10M Cycles @ 12 X O.D.
	Shielding	Shield Tinned Copper Braid - Coverage ≥ 85%

Note: Motor receptacle o-ring required when using threaded DIN connectors. O-ring must be removed, if present, when using Checkmate™ Quick-Locking connectors.

Motor Power with Brake, Continuous-flex

Rockwell Part Number	
2090-CPBM7E7-16AFxx	
Amphenol Part Number	Checkmate™ Description
CMP30844-Mxx	Continuous-flex, motor power with brake cable, 16AWG, M23, Checkmate™, drive-end (male), M23 CheckMate™ extension connector high-resolution or resolver applications CE
Cable Configuration	
Motor/Actuator End	Drive End
 <p>Female</p>	 <p>Male</p>

Amphenol Part Number	Bulk Cable Description	
KA-56593	4/C, 16AWG, 1PR, Shielded, 18AWG + Overall Shield, 105°C, 600V, UL AWM Style	
	Nominal O.D.	0.46" (11.7mm)
	Jacket Color	Orange DESINA RAL 2003
	Jacket Material	Pressure Extruded Flexible Thermoplastic Elastomer (TPE)
	Flex Life	10M Cycles @ 12 X O.D.
	Shielding	Shield Tinned Copper Braid - Coverage ≥ 85%
		

Note: Motor receptacle o-ring required when using threaded DIN connectors. O-ring must be removed, if present, when using Checkmate™ Quick-Locking connectors.

Motor Power, Non-flex

Rockwell Part Number	
2090-CPBM7DF-14AAxx	
Amphenol Part Number	Checkmate™ Description
CMP30153-Mxx	Non-flex, motor power with brake cable, 14AWG, M23, Checkmate™, flying leads
Cable Configuration	
Motor/Actuator End	Drive End

Amphenol Part Number	
P30153-Mxx	
Amphenol Part Number	Threaded Din Description
P30153-Mxx	Non-flex, motor power with brake cable, 14AWG, M23, threaded DIN, flying leads
Cable Configuration	
Motor/Actuator End	Drive End

Amphenol Part Number		
KA-56579		
Amphenol Part Number	Bulk Cable Description	
KA-56579	4/C, 14AWG, 1PR, Shielded, 18AWG+ Overall Shield, 90°C, 600V, TYPE TC-ER	
	Nominal O.D.	0.52" (13.3mm)
	Jacket Color	Orange DESINA RAL 2003
	Jacket Material	Pressure Extruded Flexible Thermoplastic Elastomer (TPE)
	Flex Life	Non-flex
	Shielding	Shield Tinned Copper Braid - Coverage ≥ 85%

Note: Motor receptacle o-ring required when using threaded DIN connectors. O-ring must be removed, if present, when using Checkmate™ Quick-Locking connectors.

Motor Power with Brake, Continuous-flex

Rockwell Part Number	
2090-CPBM7DF-14AFxx	
Amphenol Part Number	Checkmate™ Description
CMP30160-Mxx	Continuous-flex, motor power with brake cable, 14AWG, M23, Checkmate™, flying-leads
Cable Configuration	
Motor/Actuator End	Drive End

Rockwell Part Number	
2090-CPBM4DF-14AFxx	
Amphenol Part Number	Threaded Din Description
P30160-Mxx	Continuous-flex, motor power with brake cable, 14AWG, M23, threaded DIN, flying-leads
Cable Configuration	
Motor/Actuator End	Drive End

Amphenol Part Number	Bulk Cable Description	
KA-56594	4/C, 14AWG, 1PR, Shielded, 18AWG+ Overall Shield, 90°C, 600V, UL TYPE TC-ER	
	Nominal O.D.	0.50" (12.7mm)
	Jacket Color	Orange DESINA RAL 2003
	Jacket Material	Pressure Extruded Flexible Thermoplastic Elastomer (TPE)
	Flex Life	10M Cycles @ 12 X O.D.
	Shielding	Shield Tinned Copper Braid - Coverage ≥ 85%

Note: Motor receptacle o-ring required when using threaded DIN connectors. O-ring must be removed, if present, when using Checkmate™ Quick-Locking connectors.

Motor Power with Brake, Continuous-flex

Rockwell Part Number	
2090-CPBM7E7-14AFxx	
Amphenol Part Number	Checkmate™ Checkmate™ Description
CMP30335-Mxx	Continuous-flex, motor power with brake cable, 14AWG, M23, Checkmate™, drive-end (male), M23 CheckMate™ extension connector, high-resolution or resolver applications CE
Cable Configuration	
Motor/Actuator End	Drive End

Amphenol Part Number	Bulk Cable Description	
KA-56594	4/C, 14AWG, 1PR, Shielded, 18AWG+ Overall Shield, 90°C, 600V, UL TYPE TC-ER	
	Nominal O.D.	0.50" (12.7mm)
	Jacket Color	Orange DESINA RAL 2003
	Jacket Material	Pressure Extruded Flexible Thermoplastic Elastomer (TPE)
	Flex Life	10M Cycles @ 12 X O.D.
	Shielding	Shield Tinned Copper Braid - Coverage ≥ 85%

Note: Motor receptacle o-ring required when using threaded DIN connectors. O-ring must be removed, if present, when using Checkmate™ Quick-Locking connectors.

Motor Power with Brake, Continuous-flex

Rockwell Part Number	
2090-CPBM4DF-16AFxx	
Amphenol Part Number	Threaded Din Description
P28124-Mxx	Continuous-flex, motor power cable with brake, 16AWG, M23, threaded DIN, flying-leads
Cable Configuration	
Motor/Actuator End	Drive End

Amphenol Part Number	Bulk Cable Description	
KA-56349	4/C, 16AWG, 2PR 18AWG Shielded 105°C, 600V, AWM Style	
	Nominal O.D.	0.55" (13.9mm)
	Jacket Color	Orange DESINA RAL 2003
	Jacket Material	Pressure Extruded Flexible Thermoplastic Elastomer (TPE)
	Flex Life	5M Cycles @ 15 X O.D.
	Shielding	Shield Tinned Copper Braid - Coverage ≥ 85%

Note: Motor receptacle o-ring required when using threaded DIN connectors. O-ring must be removed, if present, when using Checkmate™ Quick-Locking connectors.

Motor Power with Brake, Continuous-flex

Rockwell Part Number	
2090-CPBM4DF-14AFxx	
Amphenol Part Number	Threaded Din Description
P28125-Mxx	Continuous-flex, motor power cable with brake, 14AWG, M23, threaded DIN, flying-leads
Cable Configuration	
Motor/Actuator End	Drive End

Amphenol Part Number	Bulk Cable Description	
KA-56351	4/C, 14AWG, 2PR 18AWG Shielded 105°C, 600V, AWM Style	
	Nominal O.D.	0.61" (15.5mm)
	Jacket Color	Orange DESINA RAL 2003
	Jacket Material	Pressure Extruded Flexible Thermoplastic Elastomer (TPE)
	Flex Life	10M Cycles @ 12 X O.D.
	Shielding	Shield Tinned Copper Braid - Coverage ≥ 85%

Note: Motor receptacle o-ring required when using threaded DIN connectors. O-ring must be removed, if present, when using Checkmate™ Quick-Locking connectors.

Motor Power with Brake, Non-flex

Rockwell Part Number	
2090-CPBM7DF-10AAxx	
Amphenol Part Number	Threaded Din Description
P30155-Mxx	Non-flex, motor power with brake cable, 10AWG, M40, threaded DIN, flying leads
Cable Configuration	
Motor/Actuator End	Drive End

Amphenol Part Number	Bulk Cable Description	
KA-56580	4/C, 10AWG, 1PR, Shielded, 18AWG+ Braided Shield, 90°C, 600V, TYPE TC-ER	
	Nominal O.D.	0.66" (16.8mm)
	Jacket Color	Orange DESINA RAL 2003
	Jacket Material	Pressure Extruded Flexible Thermoplastic Elastomer (TPE)
	Flex Life	Non-flex
	Shielding	Shield Tinned Copper Braid - Coverage ≥ 85%

Note: Motor receptacle o-ring required when using threaded DIN connectors. O-ring must be removed, if present, when using Checkmate™ Quick-Locking connectors.

Motor Power with Brake, Continuous-flex

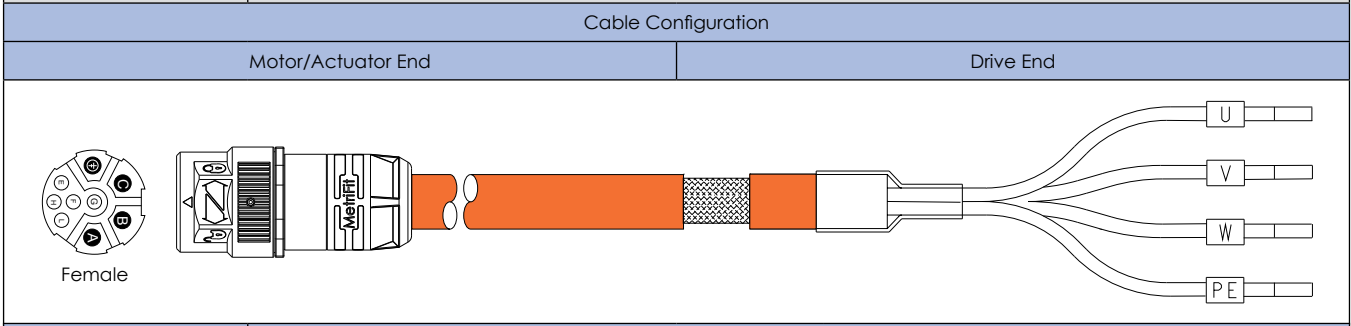
Rockwell Part Number	
2090-CPBM4DF-10AFxx	
Amphenol Part Number	Threaded Din Description
P29366-Mxx	Continuous-flex, motor power cable with brake, 10AWG, M40, threaded DIN, flying-leads
Cable Configuration	
Motor/Actuator End	Drive End

Amphenol Part Number	Bulk Cable Description	
KA-56352	4/C, 10AWG, 2PR, 18AWG Shielded, 105°C, 600V, AWM Style	
	Nominal O.D.	0.75" (19.0mm)
	Jacket Color	Orange DESINA RAL 2003
	Jacket Material	Pressure Extruded Flexible Thermoplastic Elastomer (TPE)
	Flex Life	10M Cycles @ 12 X O.D.
	Shielding	Shield Tinned Copper Braid - Coverage ≥ 85%

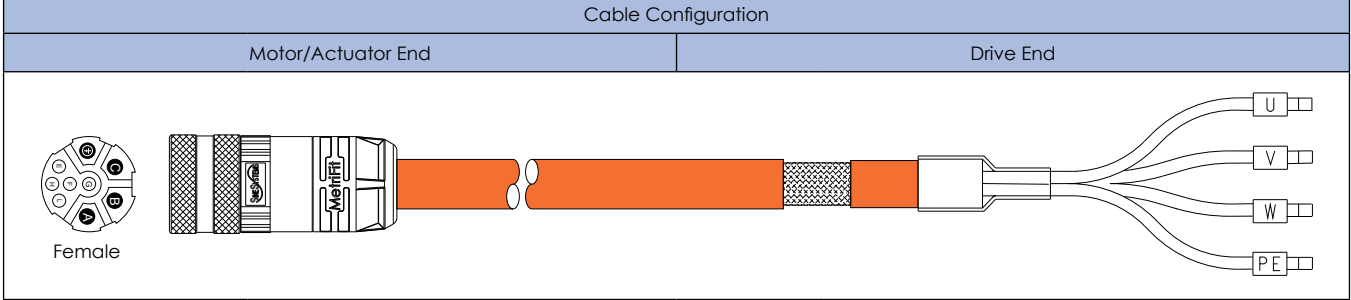
Note: Motor receptacle o-ring required when using threaded DIN connectors. O-ring must be removed, if present, when using Checkmate™ Quick-Locking connectors.

Motor Power, Non-flex

Rockwell Part Number	
2090-CPWM7DF-16Axx	
Amphenol Part Number	Checkmate™ Description
CMP30636-Mxx	Non-flex, motor power cable, 16AWG, M23, Checkmate™, flying leads



Amphenol Part Number	Threaded Din Description
P30636-Mxx	Non-flex, motor power cable, 16AWG, M23, threaded DIN, flying leads



Amphenol Part Number	Bulk Cable Description
KA-50960-ORG	4/C, 16AWG, Shielded, 90°C 600V, TYPE TC-ER

	Nominal O.D.	0.36" (9.2mm)
	Jacket Color	Orange DESINA RAL 2003
	Jacket Material	Pressure Extruded Flexible Thermoplastic Elastomer (TPE)
	Flex Life	Non-flex
	Shielding	Shield Tinned Copper Braid - Coverage ≥ 85%

Note: Motor receptacle o-ring required when using threaded DIN connectors. O-ring must be removed, if present, when using Checkmate™ Quick-Locking connectors.

Motor Power, Continuous-flex

Rockwell Part Number	
2090-CPWM7DF-16AFxx	
Amphenol Part Number	Checkmate™ Description
CMP30332-Mxx	Continuous-flex, motor power cable, 16AWG, M23, Checkmate™, flying-leads
Cable Configuration	
Motor/Actuator End	Drive End

Rockwell Part Number	
2090-CPWM4DF-16AFxx	
Amphenol Part Number	Checkmate™ Description
P30332-Mxx	Continuous-flex, motor power cable, 16AWG, M23, threaded DIN, flying-leads
Cable Configuration	
Motor/Actuator End	Drive End

Amphenol Part Number	Bulk Cable Description	
KA-56313-ORG	4/C, 16AWG Shielded 105°C, 600V, AWM Style	
	Nominal O.D.	0.46" (11.8mm)
	Jacket Color	Orange DESINA RAL 2003
	Jacket Material	ELEXAR 8730
	Flex Life	10M Cycles @ 10 X O.D.
	Shielding	Shield Tinned Copper Braid - Coverage ≥ 85%

Note: Motor receptacle o-ring required when using threaded DIN connectors. O-ring must be removed, if present, when using Checkmate™ Quick-Locking connectors.

Motor Power, Non-flex

Rockwell Part Number	
2090-CPWM7DF-14A Axx	
Amphenol Part Number	Checkmate™ Description
CMP30637-Mxx	Non-flex, motor power cable, 14AWG, M23, Checkmate™, flying leads

Cable Configuration	
Motor/Actuator End	Drive End

Amphenol Part Number	Threaded Din Description
P30637-Mxx	Non-flex, motor power cable, 14AWG, M23, threaded DIN, flying leads
Cable Configuration	
Motor/Actuator End	Drive End

Amphenol Part Number	Bulk Cable Description
KA-50961-ORG	4/C, 14AWG, Shielded, 90°C 600V, TYPE TC-ER

	Nominal O.D.	0.40" (10.2mm)
	Jacket Color	Orange DESINA RAL 2003
	Jacket Material	Pressure Extruded Flexible Thermoplastic Elastomer (TPE)
	Flex Life	Non-flex
	Shielding	Shield Tinned Copper Braid - Coverage ≥ 85%

Note: Motor receptacle o-ring required when using threaded DIN connectors. O-ring must be removed, if present, when using Checkmate™ Quick-Locking connectors.

Motor Power, Continuous-flex

Rockwell Part Number	
2090-CPWM7DF-14AFxx	
Amphenol Part Number	Checkmate™ Description
CMP29972-Mxx	Continuous-flex, motor power cable, 14AWG, M23, Checkmate™, flying-leads
Cable Configuration	
Motor/Actuator End	Drive End
Female	

Rockwell Part Number	
2090-CPWM4DF-14AFxx	
Amphenol Part Number	Threaded Din Description
P29972-Mxx	Continuous-flex, motor power cable, 14AWG, M23, threaded DIN, flying-leads
Cable Configuration	
Motor/Actuator End	Drive End
Female	

Amphenol Part Number	Bulk Cable Description	
KA-56314-ORG	4/C, 14AWG Shielded, 105°C 600V, UL AWM Style CSA AWM FT2 CE ROHS	
	Nominal O.D.	0.49" (12.7mm)
	Jacket Color	Orange
	Jacket Material	ELEXAR 8730
	Flex Life	10M Cycles @ 10 X O.D.
	Shielding	Shield Tinned Copper Braid - Coverage ≥ 85%

Note: Motor receptacle o-ring required when using threaded DIN connectors. O-ring must be removed, if present, when using Checkmate™ Quick-Locking connectors.

Motor Power with Brake, Continuous-flex

Rockwell Part Number	
2090-CPBM7DF-10AFxx	
Amphenol Part Number	Threaded Din Description
P30162-Mxx	Continuous-flex, motor power with brake cable, 10AWG, M40, threaded DIN, flying-leads
Cable Configuration	
Motor/Actuator End	Drive End

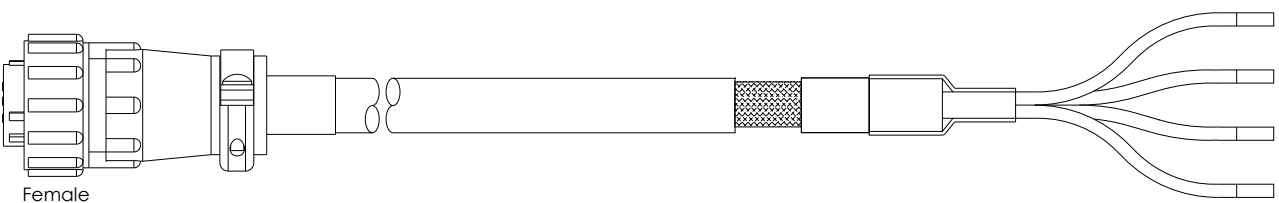
Amphenol Part Number	Bulk Cable Description	
KA-56595	4/C, 10AWG, 1PR, Shielded, 18AWG+ Overall Shield, 90°C, 600V, UL TYPE TC-ER	
	Nominal O.D.	0.66" (16.8mm)
	Jacket Color	Orange
	Jacket Material	ELEXAR 8730
	Flex Life	10M Cycles @ 12 X O.D.
	Shielding	Shield Tinned Copper Braid - Coverage ≥ 85%

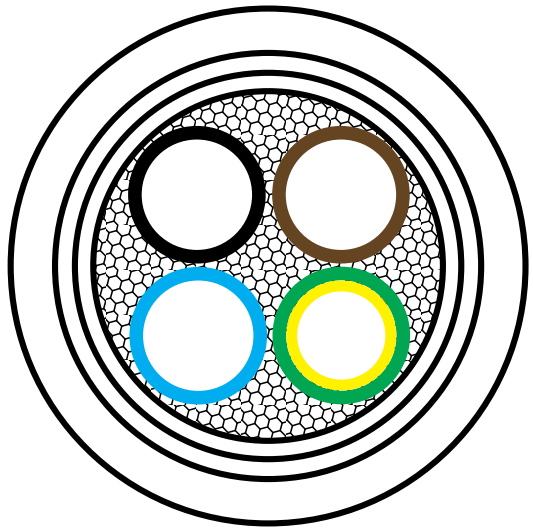

Motor Power, Non-flex

Rockwell Part Number	
2090-CPBM6DF-16Axx	
Amphenol Part Number	Threaded Din Description
MX-P29416-Mxx	Non-flex, motor power cable with brake, 16AWG, standard, flying leads
Cable Configuration	
Motor/Actuator End	Drive End

Amphenol Part Number	Bulk Cable Description	
KA-50967	6/C, 16AWG Shielded, 105°C, 600V	
	Nominal O.D.	0.45" (11.4mm)
	Jacket Color	Black
	Jacket Material	ELEXAR
	Flex Life	Non-flex
	Shielding	Shield Tinned Copper Braid - Coverage ≥ 85%

Motor Power, Non-flex

Rockwell Part Number	
2090-CPWM6DF-16Axx	
Amphenol Part Number	Threaded Din Description
MX-P29417-Mxx	Non-flex, motor power cable, 16AWG, standard, flying leads
Cable Configuration	
Motor/Actuator End	Drive End
	
Female	

Amphenol Part Number	Bulk Cable Description	
KA-56028	4/C, 16AWG Shielded, 105°C, 600V AWM Style	
	Nominal O.D.	0.37" (9.4mm)
	Jacket Color	Black
	Jacket Material	Pressure Extruded Flexible Thermoplastic Elastomer (TPE)
	Flex Life	Non-flex
	Shielding	Shield Tinned Copper Braid - Coverage ≥ 85%
		

Motor Power with Brake, Continuous-flex

Rockwell Part Number	
2090-CPWM4DF-16AFxx	
Amphenol Part Number	Threaded Din Description
P29726-Mxx	Continuous-flex, motor power cable, 16AWG, M23, threaded DIN, flying-leads
Cable Configuration	
Motor/Actuator End	Drive End

Amphenol Part Number	Bulk Cable Description	
KA-56313	4/C, 16AWG Shielded 105°C, 600V, AWM Style	
	Nominal O.D.	0.46" (11.8mm)
	Jacket Color	Black
	Jacket Material	PVC
	Flex Life	10M Cycles @ 10 X O.D.
	Shielding	Shield Tinned Copper Braid - Coverage ≥ 85%

Note: Motor receptacle o-ring required when using threaded DIN connectors. O-ring must be removed, if present, when using Checkmate™ Quick-Locking connectors.

Motor Power with Brake, Non-flex

Rockwell Part Number	
2090-XXNPMF-16Sxx	
Amphenol Part Number	Threaded Din Description
P29167-Mxx	Non-flex, motor power cable with brake, 16AWG, M23, threaded DIN, flying-leads
Cable Configuration	
Motor/Actuator End	Drive End

Amphenol Part Number	Bulk Cable Description	
KA-56338	4/C, 16AWG 2PR, Shielded 18AWG Pairs, Overall Shielded 90°C, 600V, TYPE TC-ER	
	Nominal O.D.	0.60" (15.2mm)
	Jacket Color	Black
	Jacket Material	Pressure Extruded Flexible Thermoplastic Elastomer (TPE)
	Flex Life	Non-flex
	Shielding	Shield Tinned Copper Braid - Coverage ≥ 85%

Note: Motor receptacle o-ring required when using threaded DIN connectors. O-ring must be removed, if present, when using Checkmate™ Quick-Locking connectors.

Motor Power with Brake, Non-flex

Rockwell Part Number	
2090-XXNPMF-14Sxx	
Amphenol Part Number	Threaded Din Description
P29168-Mxx	Non-flex, motor power cable with brake, 14AWG, M23, threaded DIN, flying-leads
Cable Configuration	
Motor/Actuator End	Drive End

Amphenol Part Number	Bulk Cable Description	
KA-56339	4/C, 14AWG, 2PR, Shielded, 18AWG Pairs Overall Shielded, 90°C, 600V, TYPE TC-ER	
	Nominal O.D.	0.62" (15.7mm)
	Jacket Color	Black
	Jacket Material	Pressure Extruded Flexible Thermoplastic Elastomer (TPE)
	Flex Life	Non-flex
	Shielding	Shield Tinned Copper Braid - Coverage ≥ 85%

Note: Motor receptacle o-ring required when using threaded DIN connectors. O-ring must be removed, if present, when using Checkmate™ Quick-Locking connectors.

Motor Power with Brake, Non-flex

Rockwell Part Number	
2090-XNPMF-10Sxx	
Amphenol Part Number	Threaded Din Description
P29169-Mxx	Non-flex, motor power cable with brake, 10AWG, M40, threaded DIN, flying-leads
Cable Configuration	
Motor/Actuator End	Drive End

Amphenol Part Number	Bulk Cable Description	
KA-56340	4/C, 10AWG, 2PR, Shielded, 18AWG Pairs Overall Shielded, 90°C, 600V, TYPE TC-ER	
	Nominal O.D.	0.72" (18.2mm)
	Jacket Color	Black
	Jacket Material	Pressure Extruded Flexible Thermoplastic Elastomer (TPE)
	Flex Life	Non-flex
	Shielding	Shield Tinned Copper Braid - Coverage ≥ 85%

Motor Feedback Transition, Non-flex

Rockwell Part Number	
2090-CFBM4E2-CATR	
Amphenol Part Number	Threaded Din Description
P31116	Non flex, motor feedback transition cable, M23, threaded DIN to bayonet, 0.5 meter, black jacket, TPE
Cable Configuration	
Motor/Actuator End	Drive End

Amphenol Part Number	Bulk Cable Description	
KA-56133	1PR 16AWG, 7PR 28AWG, 1PR 22AWG, Shielded, 105°C, 300V, VW-1 AWM Style	
	Nominal O.D.	0.38" (9.7mm)
	Jacket Color	Black
	Jacket Material	Pressure Extruded Flexible Thermoplastic Elastomer (TPE)
	Flex Life	Non-flex
	Shielding	Shield Tinned Copper Braid - Coverage ≥ 85%

Note: Motor receptacle o-ring required when using threaded DIN connectors. O-ring must be removed, if present, when using Checkmate™ Quick-Locking connectors.

Motor Power Transition, Non-flex

Rockwell Part Number	
2090-CPBM4E2-14TR	
Amphenol Part Number	Threaded Din Description
P31117	Non-flex, motor power transition cable w/ brake, 14AWG, M23, threaded DIN to bayonet, 0.5 meter, black jacket, TPE
Cable Configuration	
Motor/Actuator End	Drive End

Amphenol Part Number	Bulk Cable Description	
KA-56029	4/C, 14AWG, 105°C, 600V, UL File #AWM 20328	
	Nominal O.D.	0.40" (10.2mm)
	Jacket Color	Black
	Jacket Material	Pressure Extruded Flexible Thermoplastic Elastomer (TPE)
	Flex Life	Non-flex
	Shielding	Shield Tinned Copper Braid - Coverage ≥ 85%

Amphenol Part Number	Bulk Cable Description	
KA-56054	2/C, 1 PR, 18AWG, UL File #, AWM 21270, 105°C, 600V, VW-1, CSA File #AWM I/II, A/B, 105°C, 600V, FT1	
	Nominal O.D.	0.40" (10.2mm)/0.27" (6.9mm)
	Jacket Color	Black
	Jacket Material	Pressure Extruded Flexible Thermoplastic Elastomer (TPE)
	Flex Life	Non-flex
	Shielding	Shield Tinned Copper Braid - Coverage ≥ 85%

Note: Motor receptacle o-ring required when using threaded DIN connectors. O-ring must be removed, if present, when using Checkmate™ Quick-Locking connectors.

Motor Power Transition, Non-flex

Rockwell Part Number	
2090-CPWM4E2-14TR	
Amphenol Part Number	Threaded Din Description
P31118	Non-flex, motor power transition cable, 14AWG, M23, threaded DIN to bayonet, 0.5 meter, black jacket, TPE
Cable Configuration	
Motor/Actuator End	Drive End

Amphenol Part Number	Bulk Cable Description	
KA-56029	4/C, 14AWG, 105°C, 600V, UL File #AWM 20328	
	Nominal O.D.	0.40" (10.2mm)
	Jacket Color	Black
	Jacket Material	Pressure Extruded Flexible Thermoplastic Elastomer (TPE)
	Flex Life	Non-flex
	Shielding	Shield Tinned Copper Braid - Coverage ≥ 85%

Note: Motor receptacle o-ring required when using threaded DIN connectors. O-ring must be removed, if present, when using Checkmate™ Quick-Locking connectors.

Part Number Cross Reference

Rockwell PN	Amphenol PN	Page
2090-CFBM4DF-CDAFxx	P28123-Mxx	16
2090-CFBM4E2-CATR	P31116	40
2090-CFBM6DD-CCAAxx	MX-P29419-Mxx	18
2090-CFBM6DF-CBAxx	MX-P29418-Mxx	18
2090-CFBM7DD-CEAAxx	P30524-Mxx CMP30524-Mxx	14
2090-CFBM7DD-CEAFxx	P30219-Mxx, CMP30219-Mxx	15
2090-CFBM7DF-CDAFxx	CMP28123-Mxx	16
2090-CFBM7DF-CEAAxx	P30380-Mxx, CMP30380-Mxx	11
2090-CFBM7DF-CEAFxx	P30158-Mxx, CMP30158-Mxx	12
2090-CFBM7E7-CEAFxx	CMP30220-Mxx	13
2090-CPBM4DF-10AFxx	P29366-Mxx	28
2090-CPBM4DF-14AFxx	P28125-Mxx, P30160-Mxx	26 23
2090-CPBM4DF-16AFxx	P28124-Mxx, P30159-Mxx	25 20
2090-CPBM4E2-14TR	P31117	41
2090-CPBM6DF-16AAxx	MX-P29416-Mxx	34
2090-CPBM7DF-10AAxx	P30155-Mxx	27
2090-CPBM7DF-10AFxx	P30162-Mxx	33
2090-CPBM7DF-14AAxx	P30153-Mxx, CMP30153-Mxx	22

Rockwell PN	Amphenol PN	Page
2090-CPBM7DF-14AFxx	CMP30160-Mxx	23
2090-CPBM7DF-16AAxx	CMP30152-Mxx	19
2090-CPBM7DF-16AFxx	CMP30159-Mxx	20
2090-CPBM7E7-14AFxx	CMP30335-Mxx	24
2090-CPBM7E7-16AFxx	CMP30844-Mxx	21
2090-CPWM4DF-14AFxx	P29972-Mxx	32
2090-CPWM4DF-16AFxx	P29726-Mxx	36
2090-CPWM4DF-16AFxx	P30332-Mxx	30
2090-CPWM4E2-14TR	P31118	42
2090-CPWM6DF-16AAxx	MX-P29417-Mxx	35
2090-CPWM7DF-14AAxx	P30637-Mxx, CMP30637-Mxx	31
2090-CPWM7DF-14AFxx	CMP29972-Mxx	32
2090-CPWM7DF-16AAxx	P30636-Mxx, CMP30636-Mxx	29
2090-CPWM7DF-16AFxx	CMP30332-Mxx	30
2090-CSBM1DF-14AAxx	P30626-Mxx	7
2090-CSBM1DF-18AAxx	P30627-Mxx	9
2090-CSWM1DF-14AAxx	P30628-Mxx	5
2090-CSWM1DF-18AAxx	P30629-Mxx	9
2090-UXNFM-Sxx	P26855-Mxx	17
2090-XXNPMF-10Sxx	P29169-Mxx	39
2090-XXNFMF-Sxx	P29166-Mxx	17
2090-XXNPMF-14Sxx	P29168-Mxx	38
2090-XXNPMF-16Sxx	P29167-Mxx	37

Part Number Index

2090-CFBM4DF-CDAFxx 16	CMP30153-Mxx 22	MX-P29417-Mxx..... 35
2090-CFBM4E2-CATR 40	CMP30158-Mxx 12	MX-P29418-Mxx..... 18
2090-CFBM6DD-CCAAxx 18	CMP30159-Mxx 20	MX-P29419-Mxx..... 18
2090-CFBM6DF-CBAAxx 18	CMP30160-Mxx 23	P26855-Mxx..... 17
2090-CFBM7DD-CEAAxx 14	CMP30219-Mxx 15	P28123-Mxx..... 16
2090-CFBM7DD-CEAFxx 15	CMP30220-Mxx 13	P28124-Mxx..... 25
2090-CFBM7DF-CDAFxx 16	CMP30332-Mxx 30	P28125-Mxx..... 26
2090-CFBM7DF-CEAAxx 11	CMP30335-Mxx 24	P29166-Mxx..... 17
2090-CFBM7DF-CEAFxx 12	CMP30380-Mxx 11	P29167-Mxx..... 37
2090-CFBM7E7-CEAFxx..... 13	CMP30524-Mxx 14	P29168-Mxx..... 38
2090-CPBM4DF-10AFxx..... 28	CMP30636-Mxx 29	P29169-Mxx..... 39
2090-CPBM4DF-14AFxx..... 23, 26	CMP30637-Mxx 31	P29366-Mxx..... 28
2090-CPBM4DF-16AFxx..... 20, 25	CMP30844-Mxx 21	P29726-Mxx..... 36
2090-CPBM4E2-14TR 41	KA-50203..... 18	P29972-Mxx..... 32
2090-CPBM6DF-16AAxx..... 34	KA-50960-ORG 29	P30153-Mxx..... 22
2090-CPBM7DF-10AAxx..... 27	KA-50961-ORG 31	P30155-Mxx..... 27
2090-CPBM7DF-10AFxx..... 33	KA-50967..... 34	P30158-Mxx..... 12
2090-CPBM7DF-14AAxx..... 22	KA-56028..... 35	P30159-Mxx..... 20
2090-CPBM7DF-14AFxx..... 23	KA-56029..... 41, 42	P30160-Mxx..... 23
2090-CPBM7DF-16AAxx..... 19	KA-56054..... 41	P30162-Mxx..... 33
2090-CPBM7DF-16AFxx..... 20	KA-56133..... 17, 40	P30219-Mxx..... 15
2090-CPBM7E7-14AFxx 24	KA-56312-GRN..... 16	P30332-Mxx..... 30
2090-CPBM7E7-16AFxx 21	KA-56313..... 36	P30380-Mxx..... 11
2090-CPWM4DF-14AFxx 32	KA-56313-ORG 30	P30524-Mxx..... 14
2090-CPWM4DF-16AFxx 30, 36	KA-56314-ORG 32	P30626-Mxx..... 7
2090-CPWM4E2-14TR..... 42	KA-56338..... 37	P30627-Mxx..... 9
2090-CPWM6DF-16AAxx 35	KA-56339..... 38	P30628-Mxx..... 5
2090-CPWM7DF-14AAxx 31	KA-56340..... 39	P30629-Mxx..... 9
2090-CPWM7DF-14AFxx 32	KA-56349..... 25	P30636-Mxx..... 29
2090-CPWM7DF-16AAxx 29	KA-56351..... 26	P30637-Mxx..... 31
2090-CPWM7DF-16AFxx 30	KA-56352..... 28	P31116..... 40
2090-CSBM1DF-14AAxx..... 7	KA-56578..... 19	P31117..... 41
2090-CSBM1DF-18AAxx..... 9	KA-56579..... 22	P31118..... 42
2090-CSWM1DF-14AAxx..... 5	KA-56580..... 27	
2090-CSWM1DF-18AAxx..... 9	KA-56592..... 12, 13, 15	
2090-UXNFM-Sxx..... 17	KA-56593..... 20, 21	
2090-XNPMF-10Sxx 39	KA-56594..... 23, 24	
2090-XXNFMF-Sxx 17	KA-56595..... 33	
2090-XXNPMF-14Sxx..... 38	KA-56615..... 11, 14	
2090-XXNPMF-16Sxx..... 37	KA-56645..... 9	
CMP28123-Mxx 16	KA-56646..... 5	
CMP29972-Mxx 32	KA-56647..... 7	
CMP30152-Mxx 19	MX-P29416-Mxx..... 34	

This page intentionally left blank.

This page intentionally left blank.

www.amphenol-sine.com**USA**

Amphenol Sine Systems
44724 Morley Drive
Clinton Township, MI 48036
Toll-Free: 1-800-394-7732
Fax: 1-586-465-1216
Email: csr@amphenol-sine.com
www.amphenol-sine.com

Germany

Amphenol Tuchel GmbH
August-Haeusser-Strasse 10
Heilbronn, Germany 74080
Phone: 49(0)-7131-929-0
Fax: 49(0)-7131-929-486
Email: info@amphenol.de
www.amphenol.de

China

Amphenol Sine Systems
Building 21, 1st Liao Keng Industrial Zone,
Shi Yan Street, Bao An District
Shenzhen, China 518180
Tel: 86-755-8173-8000 ext. 8098
Fax: 86-755-8173-8180
www.amphenol-sine.com.cn

USA

Amphenol Corporation
Corporate Headquarters
358 Hall Ave
Wallingford Ct 06492
Phone: (877) 267-4366
www.amphenol.com

Mexico

Prolongacion Reforma 61-6 B2
Col. Paseo de las Lomas
C.P. 01330 Mexico DF, Mexico
Phone: 52-55-5258-9984
Fax: 52-55-5081-6890
Email: info@amphenolmexico.com
www.amphenolmexico.com

Argentina

Amphenol ARGENTINA
Avenida Callao 930
2nd floor Office B Plaza
C1023AAP Buenos Aires, Argentina
Phone: 54-11-4815-6886
Fax: 54-11-4814-5779
Email: info@amphenol.com.ar
amphenol.com.ar

Brazil

Amphenol do Brasil Ltda
Rua Diogo Moreira, 132
20 Andar, Rooms 2001-2-3
CEP 05423-101
Sao Paulo- SP, Brazil
Phone: 55-11-3815-1003
Fax: 55-11-3815-1629
www.amphenol.com.br

France

Amphenol SOCAPEX
948, Promenade de l'Arve - BP 29
74311 Thyez CEDEX, France
Phone: 33(0)4-50-89-28-40
Fax: 33(0)4-50-96-29-75
www.amphenol-socapex.com

United Kingdom

Amphenol LIMITED
Thanet Way, Whitstable
Kent CT5 3JF, United Kingdom
Phone: 44-1-227-773200
Fax: 44-1-227-276571
www.amphenol.co.uk

Australia

Amphenol AUSTRALIA PTY LIMITED
22 Industry Boulevard
Carrum Downs VIC 3201 Australia
Phone: +61-3-8796-8888
Fax: +61-3-8796-8801
www.amphenol.com.au

Turkey

Amphenol International Ltd Turkey
Sun Plaza Kat. 15
Maslak Mah. Bilim Sok. No. 5
34398 Sisli / Istanbul – Turkey
Tel: + 90 212 367.92.20
Fax: + 90 212 367.92.21
www.amphenol.com.tr

South Africa

Amphenol International Ltd
South Africa
30 Impala Road
2196 Sandton, Chislehurst
South Africa
Phone: 27-11-783-9517
Fax: 27-11-783-9519
Email: sales@amphenolafrica.com
www.amphenol.com.za

India

Amphenol INTERCONNECT INDIA PVT LTD
105 Bhosari Industrial Area
Pune 411 026, India
Phone: +91 20 67360304
Fax: +91 20 67360321
www.amphenol-in.com

Korea

Amphenol DAESHIN
558. Songnae-2 Dong. SoSa-Gu
Bucheon City, Gyeonggi-do,
Korea 422-818
Phone: 81-32-610-3800
Fax: 81-32-673-2507
Email: info@amphenol.co.kr
www.amphenol.co.kr

Japan

Amphenol JAPAN
471-1, Deba, Ritto-city
shiga 520-3041, Japan
Phone: 81-77-553-8501
Fax: 81-77-551-2200
www.amphenol.co.jp

Russia

Amphenol RUSSIA
8 Yaroslavskaja Street
129164 Moscow, Russia
Phone: 7495-937-6341
Fax: 7495-937-6319
www.amphenol.ru

X-ON Electronics

Largest Supplier of Electrical and Electronic Components

Click to view similar products for [Specialised Cables category](#):

Click to view products by [Amphenol manufacturer](#):

Other Similar products are found below :

[603PT6](#) [603SS6L](#) [604PT6](#) [604SS6](#) [706000D02F200](#) [910640](#) [1200740077](#) [1200740114](#) [AC172](#) [ACL-SSI-4](#) [R88ACAKA0015SRE](#)
[R88ACAWL005SDE](#) [R88ACRGD0R3C](#) [1300150047](#) [1300660036](#) [1302262116](#) [1300150149](#) [1300220020](#) [1300220104](#) [1300220119](#)
[1301240492](#) [1301810221](#) [1365323-1](#) [176P12](#) [1971465-2](#) [20240400003](#) [20240400013](#) [2085828-1](#) [20886510030](#) [2-22733-8](#) [22733-8](#) [CB-](#)
[5PSBC-RS](#) [CB-704EC-RS](#) [CB-BATACC-RS](#) [CB-JST3PSW-RS](#) [CB-M12COM-R10](#) [25AC84](#) [25AK84X](#) [25AU25](#) [25FN82](#) [3011-03](#) [AC118](#)
[ACL-HHS-1M\(CAT5E\)](#) [SSL009PC2DC012N](#) [FC2A-KC6C](#) [2085828-2](#) [20886510150](#) [CCS-FCB-5](#) [CCSF CBF2](#) [R88A-CRWB020N](#)