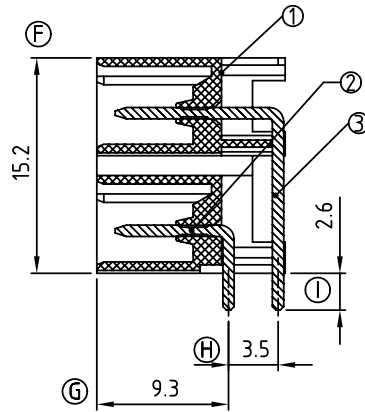
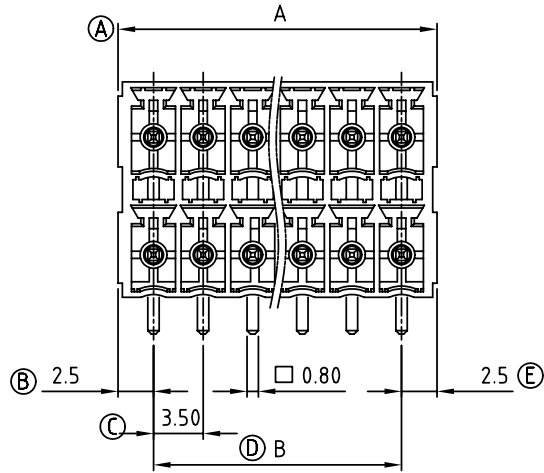


SIGN	DATE	DESCRIPTION	APPROVER
△	9/17'10	How to order is changed	Runner
THIS IS CAD DRAWING, DO NOT REVISE MANUALLY!!!			



Material:

- Item ① Terminal(housing): PA66 30% GF (UL94V-0)
- Item ② Contact pin of short: copper Tin plated
- Item ③ Contact pin of long: copper Tin plated

Electrical:

- Voltage rating: 160V
- Current rating: 5.5A
- Withstanding Voltage: 1.32 KV
- Operating temperature: -40°C to +115°C
- Soldering temperature: 250°C ±10°C/5 Sec
- APPROVAL: US

cULus

KE xx 1 1 x 1 xxxx G

No. OF POLES

- 04: 2×2 POLES
- 06: 2×3 POLES
- ...
- 48: 2×24 POLES

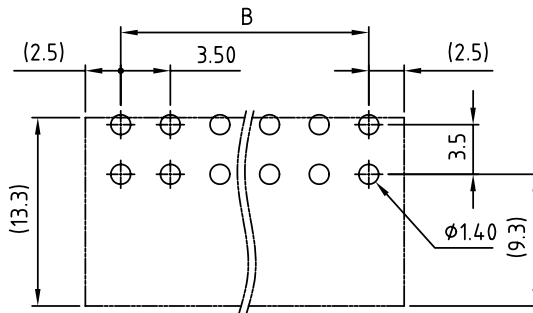
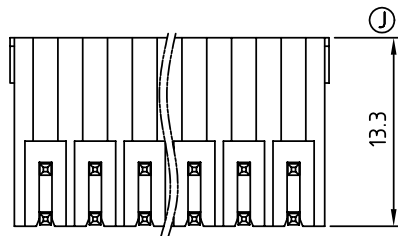
COLOR

- 0 Black (RAL9005)
- 2 Red (RAL3001/D)
- 3 Orange(RAL2011/P)
- 4 Yellow(RAL1018/A)
- 5 Green(RAL6018/T)
- 6 Blue (RAL5015/A)
- 8 Grey(RAL7035/D)

G: Pb<40000ppm

- △ A00 0: "@" Mark
- △ A00 A: "ANYTEK" Mark

Any special item by customer request. please contact sales department.



PCB Layout

POLE		2×2	2×3	2×4	2×5	2×6	2×7	2×8	2×9	2×10	2×11	2×12
A		8.50	12.00	15.50	19.00	22.50	26.00	29.50	33.00	36.50	40.00	43.50
B		3.50	7.00	10.50	14.00	17.50	21.00	24.50	28.00	31.50	35.00	38.50
Tol.		±0.15					±0.20					
POLE	2×13	2×14	2×15	2×16	2×17	2×18	2×19	2×20	2×21	2×22	2×23	2×24
A	47.00	50.50	54.00	57.50	61.00	64.50	68.00	71.50	75.00	78.50	82.00	85.50
B	42.00	45.50	49.00	52.50	56.00	59.50	63.00	66.50	70.00	73.50	77.00	80.50
Tol.	±0.25						±0.30					

ANYTEK

CUSTOMER COPY

ALL RIGHTS RESERVED. REPRODUCTION OR ISSUE TO THIRD PARTIES IN ANY FORM WHATSOEVER IS NOT PERMITTED WITHOUT WRITTEN AUTHORITY FROM THE PROPRIETOR. PROPERTY OF ANYTEK TECHNOLOGY CO., LTD

TITLE		KE 3.5mm W/O Flange Series (Right angle) DIP type											
PART NO.		KExx11x1xxxxG					DWG NO.		8KE0007				
APPROVED		CHECKED	DESIGNED	DRAWN	CUST NO.		Tolerance						
									UNIT: mm	X.	±0.50		
									SCALE: NONE	X.X	±0.30		
									REV.: C	X.XX	±0.10		
										X°	±1°		

Runner
2010.09.17

Runner
2010.04.12

SHEET: 01/01

REV.: C

X-ON Electronics

Largest Supplier of Electrical and Electronic Components

Click to view similar products for [Pluggable Terminal Blocks](#) category:

Click to view products by [Amphenol](#) manufacturer:

Other Similar products are found below :

[57.510.0053](#) [MC 1.5/ 6-ST-3.5 GY AU](#) [734-104](#) [734-302](#) [8-141-P](#) [8426620000](#) [860505](#) [860810](#) [GBPACX-12](#) [93.731.4953.0](#) [PV05-5,08-K](#)
[PVP04-3,50](#) [PVS02-5,00](#) [1-1986160-3](#) [1377680000](#) [1531000000](#) [1546228-5](#) [ELFH16150](#) [ELFP03110](#) [ELFP10210](#) [ELFT06250](#)
[ELVP03100](#) [1700410](#) [1700425](#) [1702246](#) [1717806](#) [1719600](#) [1734692](#) [1734795](#) [1740291](#) [1752441](#) [1752865](#) [1754144](#) [1760051](#) [1760336](#)
[1777701](#) [1783410](#) [1800227](#) [1801080](#) [1836888](#) [1848818](#) [1849079](#) [1860870](#) [1876327](#) [1896417](#) [1903096](#) [19346](#) [1946309](#) [1970579](#) [1973592](#)