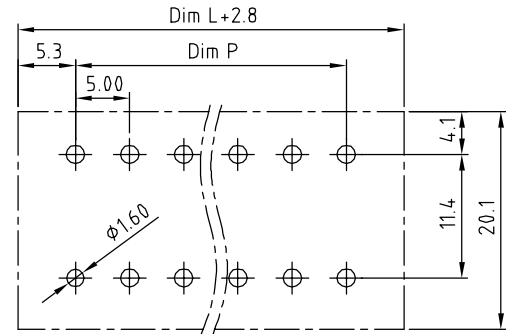
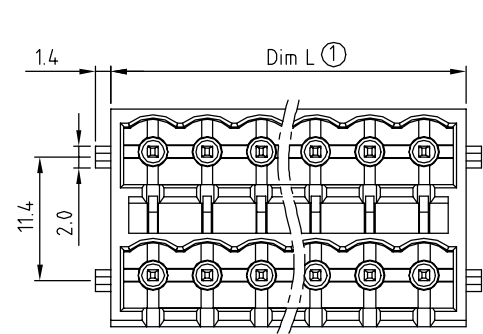
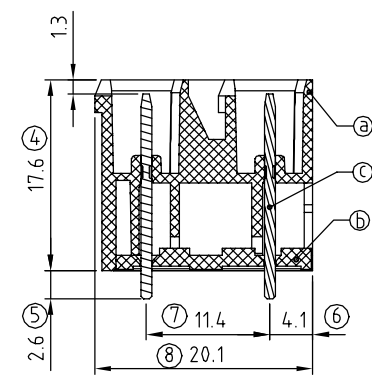
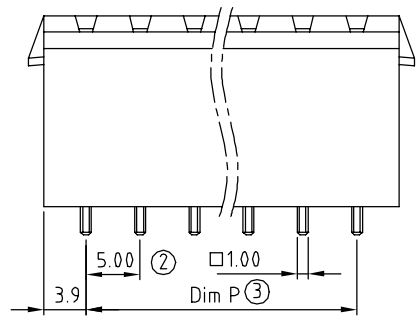


SIGN	DATE	DESCRIPTION	APPROVER
△	04/28'11	Add is cULus	Aaron
THIS IS CAD DRAWING, DO NOT REVISE MANUALLY!!!			



- Material:
- Item a Terminal(housing): Thermoplastic (UL94V-0)
  - Item b Terminal(cover): Thermoplastic (UL94V-0)
  - Item c Male contact pin : Copper Tin plated

- Electrical: cULus
- Voltage rating: 300V
  - Current rating: 12A
  - Withstanding Voltage: 1.6KV
  - Operating temperature: -40°C to +115°C
  - Soldering temperature: 250°C±10°C/5 Sec
  - △ ● Safety Approval:



### KE xx 7 3 x 2 xxxx G

- No. OF POLES
- 04: 2x2 POLES
  - 06: 2x3 POLES
  - :
  - 48: 2x24 POLES
- COLOR
- 0 Black (RAL9005)
  - 2 Red (RAL3001/D)
  - 3 Orange(RAL2011/P)
  - 4 Yellow(RAL1018/A)
  - 5 Green(RAL6018/T)
  - 6 Blue (RAL5015/A)
  - 8 Grey(RAL7035/D)
  - 9 White(RAL1102)
  - C Green(RAL6018/U)
- G: Pb-40000ppm
- 000A: "@" Logo (Standard)
- 000A: "ANYTEK" Mark
- Any special item by customer request, please contact sales department.

N = Number of poles  
 Dim L = N x 5.0 + 2.8  
 Dim P = (N - 1) x 5.0

Poles	Dim L	Dim P
2x2-2x6p	±0.15	±0.15
2x7-2x12p	±0.25	±0.25
2x13-2x18p	±0.35	±0.35
2x19-2x24p	±0.40	±0.40

<b>ANYTEK</b>				<b>CUSTOMER COPY</b>	
ALL RIGHTS RESERVED. REPRODUCTION OR ISSUE TO THIRD PARTIES IN ANY FORM WHATSOEVER IS NOT PERMITTED WITHOUT WRITTEN AUTHORITY FROM THE PROPRIETOR. PROPERTY OF ANYTEK TECHNOLOGY CO., LTD					
TITLE: KE 5.0mm With latch holder Series (Vertical) DIP type					
PART NO. KExx73x2xxxxG			DWG NO. 8KE0106		
APPROVED	CHECKED	DESIGNED	DRAWN	CUST NO.	Tolerance
		Jacke 2010.03.30	Jacke 2009.08.26		X. ±0.50 X.X ±0.30 X.XX ±0.10 X° ±1°
				UNIT: mm	
				SCALE: NONE	
				SHEET: 01/01	REV.: B

## X-ON Electronics

Largest Supplier of Electrical and Electronic Components

*Click to view similar products for [Pluggable Terminal Blocks](#) category:*

*Click to view products by [Amphenol](#) manufacturer:*

Other Similar products are found below :

[57.510.0053](#) [MC 1.5/ 6-ST-3.5 GY AU](#) [734-104](#) [734-302](#) [8-141-P](#) [8426620000](#) [860505](#) [860810](#) [GBPACX-12](#) [93.731.4953.0](#) [PV05-5,08-K](#)  
[PVP04-3,50](#) [PVS02-5,00](#) [1-1986160-3](#) [1377680000](#) [1531000000](#) [1546228-5](#) [ELFH16150](#) [ELFP03110](#) [ELFP10210](#) [ELFT06250](#)  
[ELVP03100](#) [1700410](#) [1700425](#) [1702246](#) [1717806](#) [1719600](#) [1734692](#) [1734795](#) [1740291](#) [1752441](#) [1752865](#) [1754144](#) [1760051](#) [1760336](#)  
[1777701](#) [1783410](#) [1800227](#) [1801080](#) [1836888](#) [1848818](#) [1849079](#) [1860870](#) [1876327](#) [1896417](#) [1903096](#) [19346](#) [1946309](#) [1970579](#) [1973592](#)