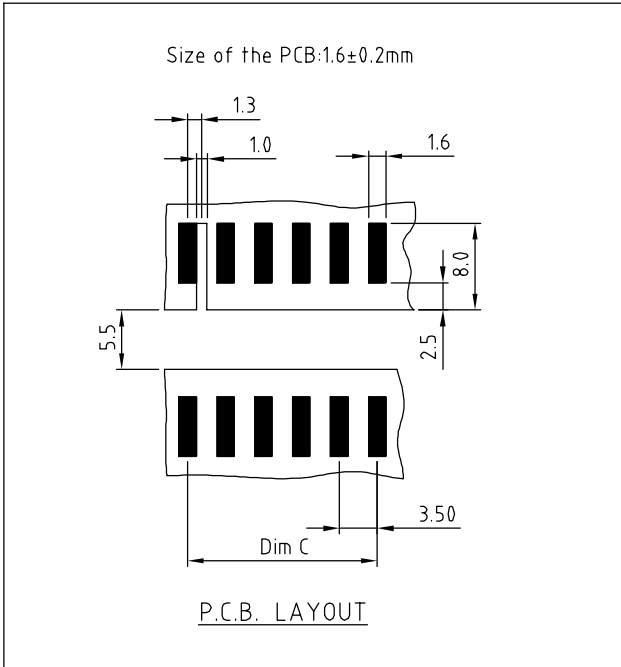


SIGN	DATE	DESCRIPTION	APPROVER
△			
THIS IS CAD DRAWING, DO NOT REVISE MANUALLY!!!			

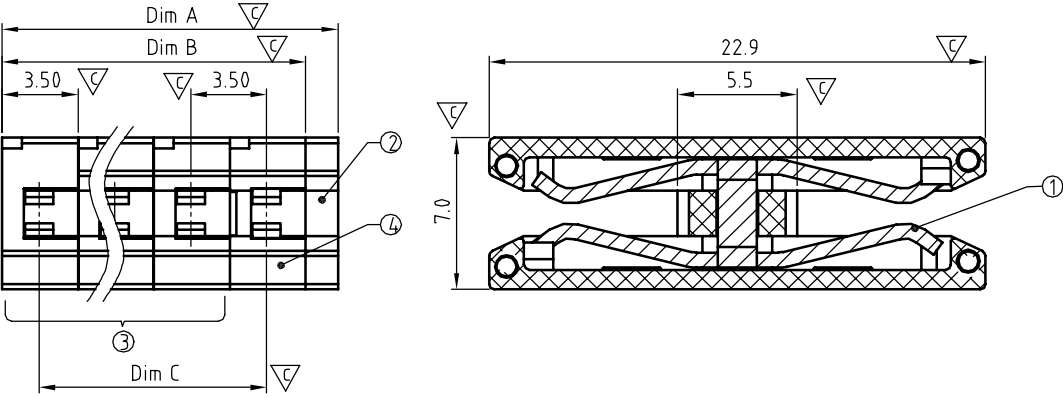


Material

- Item ① Female contact: PhBz(CuSn), Tin plated
- Item ② Terminal Cover: Thermoplastic (UL94V-0)
- Item ③ Terminal housing: Thermoplastic (UL94V-0)
- Item ④ Terminal housing (B type): Thermoplastic (UL94V-0)

Electrical

- Voltage rating: 300VAC
- Current rating: 8A
- Withstanding Voltage: 1.6KV
- Operating temperature: -40°C to +115°C
- Critical dimension: ∇



KF xx 10 x 0 xxxx G

- No. OF POLES
- 02 2 CONTACTS
 - 03 3 CONTACTS
 -
 - 24 24 CONTACTS
- Color
- 0 Black (RAL9005)
 - 2 Red (RAL3001/D)
 - 3 Orange(RAL2011/P)
 - 4 Yellow(RAL1018/A)
 - 5 Green(RAL6018/T)
 - 6 Blue (RAL5015/A)
 - 8 Grey(RAL7035/D)
- G RoHS compliant (lead<4%) In copper Alloy**
- 0000: "@ " Logo (Standard)
 - 000A: "ANYTEK" Mark
- Any special item by customer request, please contact sales department.

Poles	2	3	4	5	6	7	8	9	10	11	12	13
Dim A	8.5	12.0	15.5	19.0	22.5	26.0	29.5	33.0	36.5	40.0	43.5	47.0
Dim B	7.0	10.5	14.0	17.5	21.0	24.5	28.0	31.5	35.0	38.5	42.5	45.5
Dim C	3.5	7.0	10.5	14.0	17.5	21.0	24.5	28.0	31.5	35.0	38.5	42.5
TOL	±0.15						±0.20					
Poles	14	15	16	17	18	19	20	21	22	23	24	
Dim A	50.5	54.0	57.5	61.0	64.5	68.0	71.5	75.0	78.5	82.0	85.5	
Dim B	49.0	52.5	56.0	59.5	63.0	66.5	70.0	73.5	77.0	80.5	84.0	
Dim C	45.5	49.0	52.5	56.0	59.5	63.0	66.5	70.0	73.5	77.0	80.5	
TOL	±0.30						0.35					

ANYTEK				CUSTOMER COPY			
ALL RIGHTS RESERVED. REPRODUCTION OR ISSUE TO THIRD PARTIES IN ANY FORM WHATSOEVER IS NOT PERMITTED WITHOUT WRITTEN AUTHORITY FROM THE PROPRIETOR. PROPERTY OF ANYTEK TECHNOLOGY CO., LTD							
TITLE	KF 3.5 Series			DWG NO.	8KF0001		
PART NO.	KFxx10x0xxxxG			CUST NO.			
APPROVED	CHECKED	DESIGNED	DRAWN			Tolerance	
		Chen Bo 03/25`13	Chen Bo 03/25`13			UNIT: mm	X. ±0.5
				SHEET: 01/01	SCALE: NONE	X.X ±0.3	X° ±1°
				REV.: B			

X-ON Electronics

Largest Supplier of Electrical and Electronic Components

Click to view similar products for [Pluggable Terminal Blocks](#) category:

Click to view products by [Amphenol](#) manufacturer:

Other Similar products are found below :

[57.510.0053](#) [MC 1.5/ 6-ST-3.5 GY AU](#) [734-104](#) [734-302](#) [8-141-P](#) [8426620000](#) [860505](#) [860810](#) [GBPACX-12](#) [93.731.4953.0](#) [PV05-5,08-K](#)
[PVP04-3,50](#) [PVS02-5,00](#) [1-1986160-3](#) [1377680000](#) [1531000000](#) [1546228-5](#) [ELFH16150](#) [ELFP03110](#) [ELFP10210](#) [ELFT06250](#)
[ELVP03100](#) [1700410](#) [1700425](#) [1702246](#) [1717806](#) [1719600](#) [1734692](#) [1734795](#) [1740291](#) [1752441](#) [1752865](#) [1754144](#) [1760051](#) [1760336](#)
[1777701](#) [1783410](#) [1800227](#) [1801080](#) [1836888](#) [1848818](#) [1849079](#) [1860870](#) [1876327](#) [1896417](#) [1903096](#) [19346](#) [1946309](#) [1970579](#) [1973592](#)