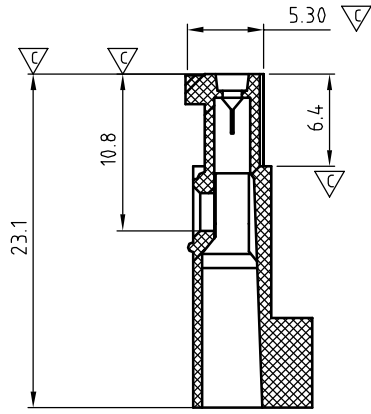
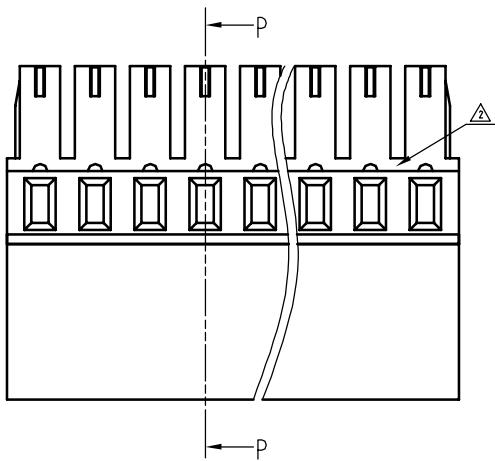
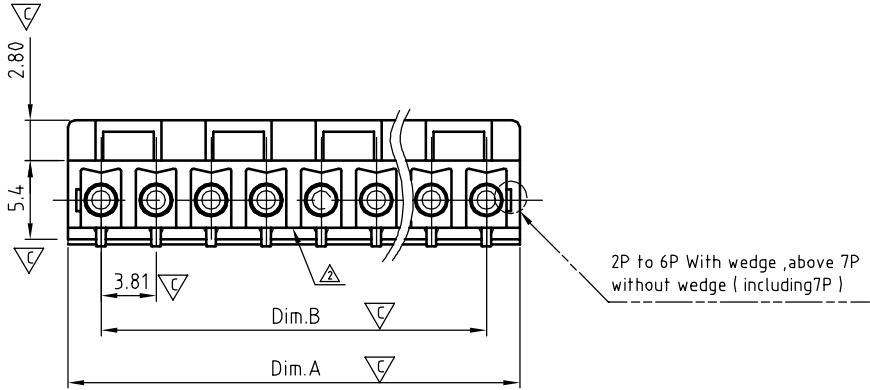


SIGN	DATE	DESCRIPTION	APPROVER
△	10/27'09	Dim.A and Dim.B tolerance table changed.	Kind
△	02/29'12	The real product doesn't comply with the drawing, remove this step	Aaron

THIS IS CAD DRAWING, DO NOT REVISE MANUALLY!!!



Section P-P

Material:

- Item 1: Terminal housing: Thermoplastic (UL94 V-0)

Electrical (Match with AO 3.81 series)

- Voltage rating: 160V
- Current rating: 8A
- Wire range: 1.0~1.2mm²
- Withstanding Voltage: 1.32KV
- Critical dimension: ∇

KI xx 30 x 1 xxxx G

No. of poles		RoHS compliant (lead<4%) In copper Alloy
02 2 CONTACTS	0 Black (RAL9005)	0000:"@"Logo (Standard)
03 3 CONTACTS	2 Red (RAL3001/D)	000A:"ANYTEK"Logo
...	3 Orange(RAL2011/P)	Any special item by customer request,
24 24 CONTACTS	4 Yellow(RAL1018/A)	please contact sales department.
	5 Green(RAL6018/T)	
	6 Blue (RAL5015/A)	
	8 Grey(RAL7035/D)	
	9 White(RAL1102)	
	C Green(RAL6018/U)	

△				
Dim.A=(N-1)×3.81+4.60				
Dim.B=(N-1)×3.81				
Poles	2P~6P	7P~12P	13P~18P	19P~24P
Dim.A	+/-0.20	+/-0.25	+/-0.30	+/-0.35
Dim.B	+/-0.15	+/-0.20	+/-0.25	+/-0.30

ANYTEK				CUSTOMER COPY			
ALL RIGHTS RESERVED. REPRODUCTION OR ISSUE TO THIRD PARTIES IN ANY FORM WHATSOEVER IS NOT PERMITTED WITHOUT WRITTEN AUTHORITY FROM THE PROPRIETOR. PROPERTY OF ANYTEK TECHNOLOGY CO. LTD							
TITLE		KI 3.81 Series 2P~24P Body (W/o flange & With high profile)					
PART NO.		Klxx30x1xxxxG			DWG NO.		8KI0002
APPROVED		CHECKED	DESIGNED	DRAWN	CUST NO.		Tolerance
			Aaron 2012.02.29	kind 2008.9.16			X. ±0.5 X.X ±0.3 X.XX ±0.1 X° ±1°
				SHEET: 01/01		UNIT: mm	
						SCALE: NONE	
						REV.: D	

X-ON Electronics

Largest Supplier of Electrical and Electronic Components

Click to view similar products for [Pluggable Terminal Blocks](#) category:

Click to view products by [Amphenol](#) manufacturer:

Other Similar products are found below :

[57.510.0053](#) [MC 1.5/ 6-ST-3.5 GY AU](#) [734-104](#) [734-302](#) [8-141-P](#) [8426620000](#) [860505](#) [860810](#) [GBPACX-12](#) [93.731.4953.0](#) [PV05-5,08-K](#)
[PVP04-3,50](#) [PVS02-5,00](#) [1-1986160-3](#) [1377680000](#) [1531000000](#) [1546228-5](#) [ELFH16150](#) [ELFP03110](#) [ELFP10210](#) [ELFT06250](#)
[ELVP03100](#) [1700410](#) [1700425](#) [1702246](#) [1717806](#) [1719600](#) [1734692](#) [1734795](#) [1740291](#) [1752441](#) [1752865](#) [1754144](#) [1760051](#) [1760336](#)
[1777701](#) [1783410](#) [1800227](#) [1801080](#) [1836888](#) [1848818](#) [1849079](#) [1860870](#) [1876327](#) [1896417](#) [1903096](#) [19346](#) [1946309](#) [1970579](#) [1973592](#)