




SIGN	DATE	DESCRIPTION	APPROVER
△	2/01'13	temperature changed from 250°C±10°C/5 Sec to 260°C±5°C/5 Sec	Guoxue
△	2/01'13	add the safety certification icon	Guoxue
△	2/01'13	update the drawing	Guoxue

THIS IS CAD DRAWING, DO NOT REVISE MANUALLY!!!

Materials

Item 1 Terminal housing	PA66 (UL94V-0)
Item 2 Terminal screw	Steel Zinc plating("+/-" slot type)
Item 3 Wire guard	Stainless steel
Item 4 Terminal body	Brass(CuZn),Tin Plated

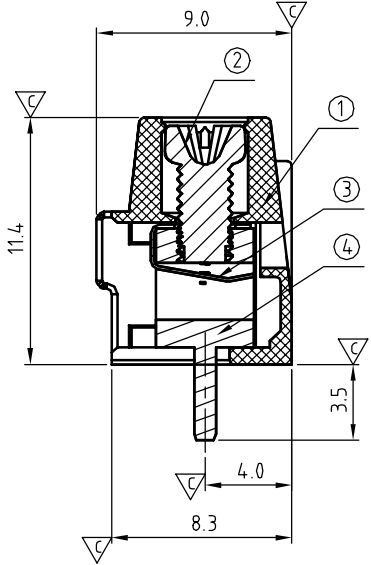
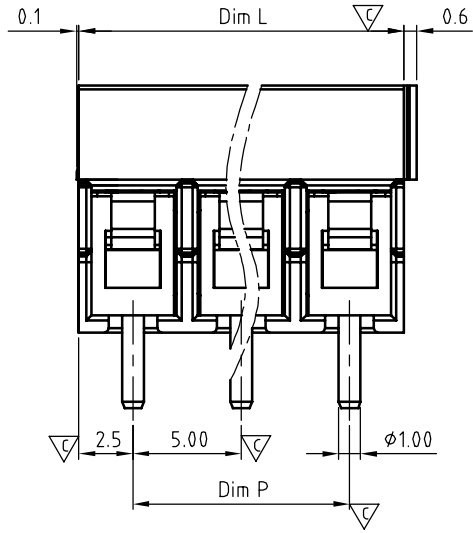
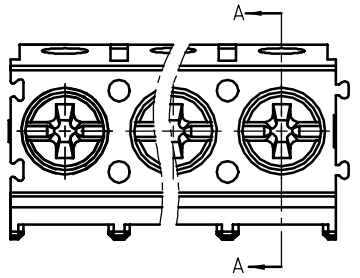
Electrical cULus CQC

- Voltage rating: 300VAC 250VAC
- Current rating: 15A 24A
- Wire range:
 - Solid wire(AWG): 12-24 0.2-2.5mm²
 - Stranded wire(AWG): 12-24 0.2-2.5mm²
- Torque(Lb-In): 3.0 0.4N.m
- Screw: M2.6
- Wire strip length: 5-6mm
- Withstanding Voltage: 1.6KV 2KV
- Operating temperature: -40°C to +115°C
- Soldering temperature: 260°C±5°C/5 Sec
- Safety Approval:  
- Critical dimension: 

KY xx 00 x 0 xxxx G

End to end stackable design	0	Black (RAL9005)	0000 "@" Logo
02 2 POLES	5	Green (RAL 6018/T)	000A "ANY" Logo
03 3 POLES	6	Blue (RAL 5015/A)
... ..	8	Grey (RAL 7035/D)	Any special item by customer request, please contact sales department
24 24 POLES	C	Green (RAL 6018/U)	

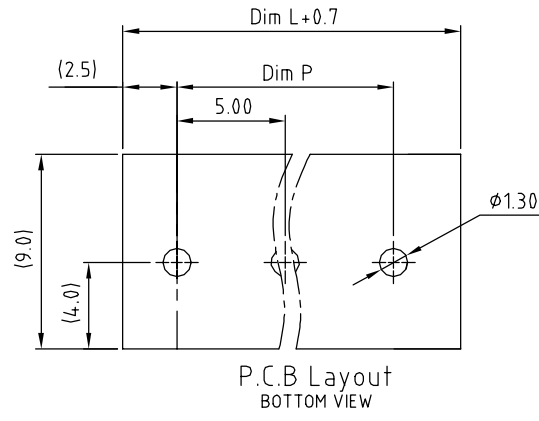
G RoHS compliant (lead<4%) In copper Alloy



SECTION A-A

N = Number of poles
 Dim L=Nx5.0
 Dim P=(N-1)x5.0

Poles	Dim L	Dim P
2-6p	±0.15	±0.10
7-12p	±0.20	±0.20
13-18p	±0.30	±0.25
19-24p	±0.40	±0.30



P.C.B Layout
BOTTOM VIEW

ANYTEK		CUSTOMER COPY	
<small>ALL RIGHTS RESERVED. REPRODUCTION OR ISSUE TO THIRD PARTIES IN ANY FORM WHATSOEVER IS NOT PERMITTED WITHOUT WRITTEN AUTHORITY FROM THE PROPRIETOR. PROPERTY OF ANYTEK TECHNOLOGY CO., LTD</small>			
TITLE	KY 5.0 Series 180° (" +/- "Screw&Square hole)		
PART NO.	KYxx00x0xxxxG	DWG NO.	8KY0003
APPROVED	CHECKED	DESIGNED	DRAWN
		Guoxue 2013.02.01	Guoxue 2013.02.01
SHEET: 01/01		UNIT: mm	Tolerance
SCALE: NONE		X. ±0.5	X.X ±0.3
REV.: C		X.XX ±0.1	X° ±1°

X-ON Electronics

Largest Supplier of Electrical and Electronic Components

Click to view similar products for [Fixed Terminal Blocks](#) category:

Click to view products by [Amphenol](#) manufacturer:

Other Similar products are found below :

[MBE-1512](#) [MBE-1520](#) [MBE-154](#) [MBE-156](#) [MBES-156](#) [MH-2512](#) [MHE-132](#) [MHE-163](#) [MI-254 \(35\)](#) [MPT-275](#) [ELM10110G](#) [BA311TU](#)
[BA411SU](#) [MV-254-D](#) [MV-255](#) [MV-493](#) [MVE-252](#) [MVE-253](#) [MVEB-153](#) [1705142](#) [1-796689-8](#) [1841320000](#) [S451](#) [29.007](#) [29.116](#) [30.204](#)
[30.503](#) [30.756](#) [30.853](#) [9872-0-00-15-00-00-33-0](#) [996750](#) [1710052](#) [20020316-G071B01LF](#) [20020327-C061B01LF](#) [29590](#) [30.652](#) [30.710](#)
[30.754](#) [30.757](#) [32.058](#) [37.206](#) [37.208](#) [37.507](#) [37.558](#) [38331-5812](#) [38331-8018](#) [38540-1910](#) [39.002](#) [MBE-1517](#) [MBE-153](#)