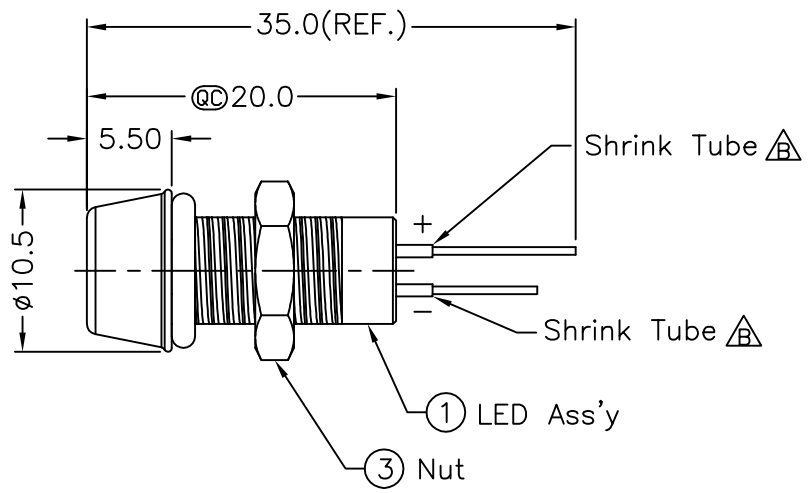
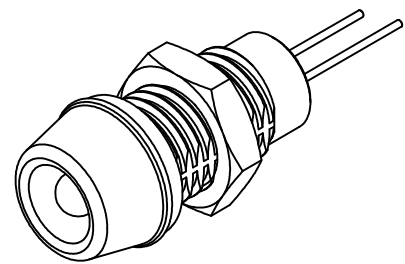
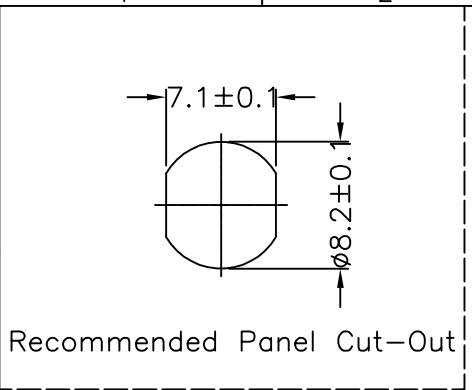
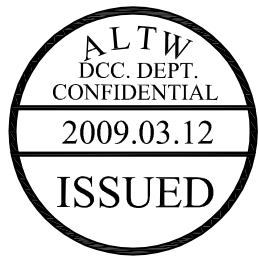
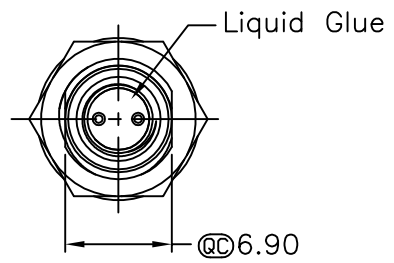
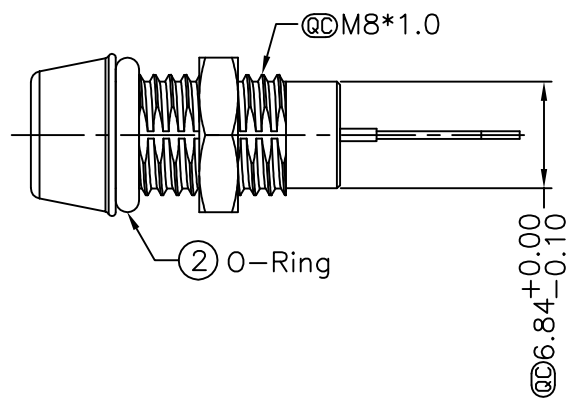
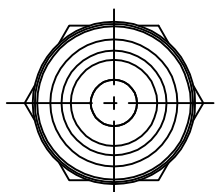


REV.	ECN NO.	DATE	SIGN	DESCRIPTION
B	LF3-850095	2008/05/14	Rex	LED Pin Add Shrink Tube
C	LEN-930468	2009/03/04	ZhaoRongFu	Add Waterproof Rate



Notes:

- \* @C Important Dimension To Check
- \* Waterproof Rate: IP67
- \* LED Holder: Brass, Nickel Plating
- \* LED:  $\phi 3$  mm, Blue (高亮度)
- \* Gasket: EPDM, Black
- \* Screw Nut: Brass, Nickel Plating
- \* Operating Voltage: DC 4V
- \* Operating Temperature:  $-40 \sim +80^{\circ}\text{C}$
- \* For Panel Thickness 6.5mm Max.



UNIT:mm	
TOLERANCE	
.X	±0.25
.XX	±0.1
.XXX	±0.05
ANGLES	±1'

TITLE Waterproof Led ( $\phi 3$ mm) Blue, Solder Type	
SCALE Free	SHEET 1 OF 1
REV. C	SIZE A4
@C : Inspection Item	

**Amphenol LTW**  
安費諾亮泰企業股份有限公司

ITEM NO L08-01BAAS-MR7001	DRAWN BY Zhao Rong Fu
DWG NO L08-01BAAS-MR7001	CHECKED BY Prune
CUSTOMER ALTW	APPROVED BY LUKE

DATE 2009/03/04
DATE 2009/03/05
DATE 2009/03/05

THIS DOCUMENT IS SUBJECT TO CHANGE WITHOUT NOTICE. IT IS CONFIDENTIAL AND A PROPERTY OF Amphenol LTW. DISCLOSURE TO THIRD PARTY HAS TO BE AUTHORIZED BY Amphenol LTW.

## X-ON Electronics

Largest Supplier of Electrical and Electronic Components

*Click to view similar products for [LED Panel Mount Indicators](#) category:*

*Click to view products by [Amphenol](#) manufacturer:*

Other Similar products are found below :

[607-3232-140F](#) [821-0331-503](#) [FL2870C8R](#) [FL2950WL7B](#) [FL2950WL8G](#) [FL589WL8R](#) [FL67C8R](#) [H8630FBBA3](#) [NL177WL2A](#)  
[NL177WL3G](#) [NL276C2A](#) [NL2950BWL3G](#) [NL589WL2R](#) [NL67C2C](#) [NL67C3R](#) [C480AABG3](#) [PB22BM41K](#) [PB22SIM40Y](#)  
[PB22SKRS31KC](#) [L32R-R2-2311](#) [L3353-MWRG](#) [L39UR-R24-2111](#) [L58D-G2-W](#) [L58D-Y2-W](#) [L59D-R12-W](#) [L59UD-R12-W](#) [L625DG](#)  
[L625DR](#) [LE177WL39007](#) [LE2950BWL39018](#) [LH1048BSWL3702](#) [LH1048BWL3702](#) [LH382A](#) [LH677G](#) [LHM628A](#) [FL276WL7R](#)  
[FL2950BWL7R](#) [FL2950WL7R](#) [FL2950WL8R](#) [FL2950WL8R-12](#) [FL2951WL8G](#) [FL2951WL8R](#) [FL589C7R](#) [FL67WL8G](#) [MPC5BCW18.0](#)  
[556-1605-808F](#) [556-1705-809F](#) [556-3008-839F](#) [558-0201-818F](#) [559-0001-813F](#)