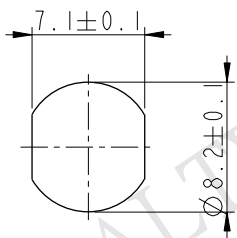
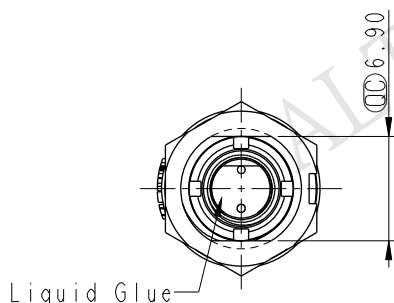
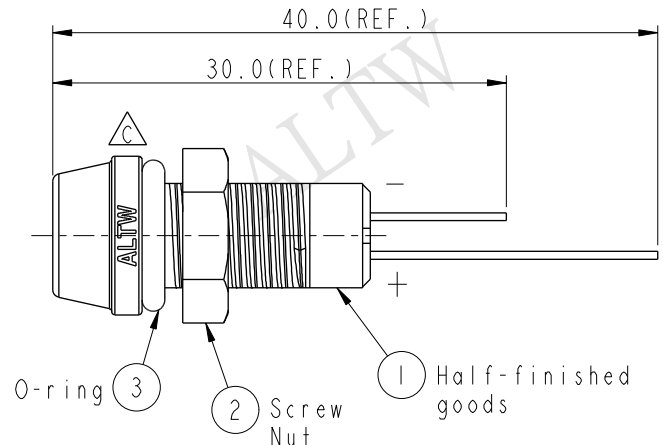
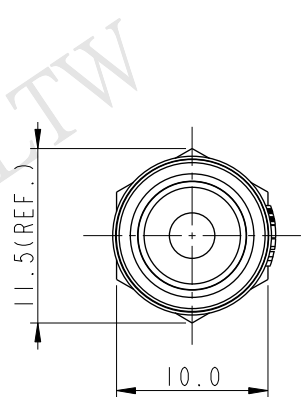
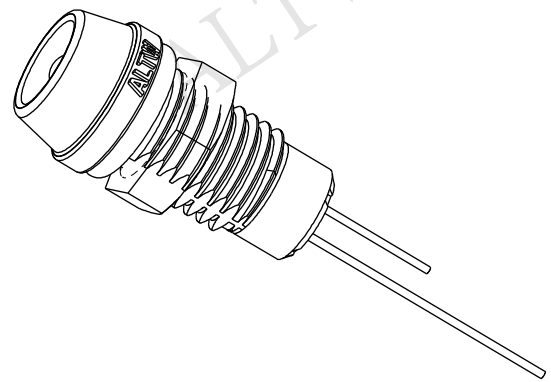
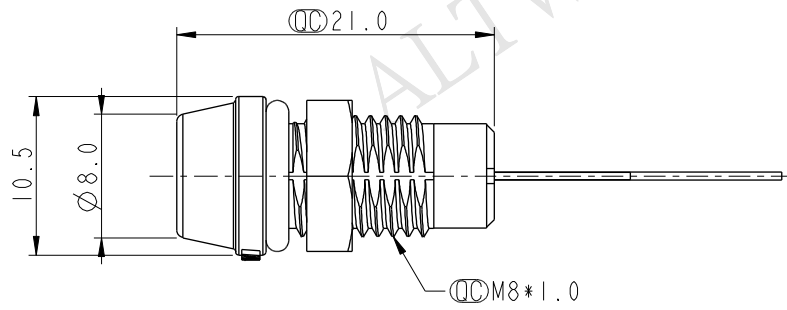


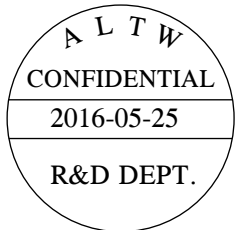
REV.	ECN NO.	DATE	SIGN	DESCRIPTION
B	LEN-930469	2009/03/04	ZhaoRongFu	Add Waterproof Rate
C	LEN1650814	2016/05/25	Ruru	Change Logo



Recommended Panel Cut-Out



Liquid Glue



- Notes:
- * \varnothing Important Dimension To Check
 - * Waterproof Rate: IP67
 - * LED Holder: PC+ABS, Black
 - * LED: \varnothing 3 mm, Blue(高亮度)
 - * O-ring: EPDM, Black
 - * Screw Nut: Nylon+GF
 - * Operating Voltage: DC 4V
 - * Operating Temperature: -40~+80°C
 - * For Panel Thickness 6.5mm Max.

UNIT:mm		
TOLERANCE	.X ±0.25	
.XX ±0.1		
.XXX ±0.05		
ANGLES	±1°	

TITLE Ø3mm Plastic LED ,Blue			
SCALE 2:1	SIZE A4	SHEET 1 OF 1	
REV. C	WC-REV. A.3	\varnothing : Inspection item	

Amphenol LTW
安費諾亮泰企業股份有限公司

ITEM NO. L08-01BAAS-PR7001	DRAWN BY Ruru	DATE 2016-05-25
DWG NO. L08-01BAAS-PR7001	CHECKED BY Rita	DATE 2016-05-25
CUSTOMER ALTW	APPROVED BY Lisa	DATE 2016-05-25

THIS DOCUMENT IS SUBJECT TO CHANGE WITHOUT NOTICE. IT IS CONFIDENTIAL AND A PROPERTY OF AMPHENOL LTW. DISCLOSURE TO THIRD PARTY HAS TO BE AUTHORIZED BY AMPHENOL LTW.

X-ON Electronics

Largest Supplier of Electrical and Electronic Components

Click to view similar products for [LED Panel Mount Indicators](#) category:

Click to view products by [Amphenol](#) manufacturer:

Other Similar products are found below :

[607-3232-140F](#) [821-0331-503](#) [FL2870C8R](#) [FL2950WL7B](#) [FL2950WL8G](#) [FL589WL8R](#) [FL67C8R](#) [H8630FBBA3](#) [NL177WL2A](#)
[NL177WL3G](#) [NL276C2A](#) [NL2950BWL3G](#) [NL589WL2R](#) [NL67C2C](#) [NL67C3R](#) [C480AABG3](#) [PB22SKRS31KC](#) [L32R-R2-2311](#) [L3353-](#)
[MWRG](#) [L39UR-R24-2111](#) [L58D-G2-W](#) [L58D-Y2-W](#) [L59D-R12-W](#) [L59UD-R12-W](#) [L625DG](#) [L625DR](#) [LE177WL39007](#)
[LE2950BWL39018](#) [LH1048BSWL3702](#) [LH1048BWL3702](#) [LH382A](#) [LH677G](#) [LHM628A](#) [FL276WL7R](#) [FL2950BWL7R](#) [FL2950WL7R](#)
[FL2950WL8R](#) [FL2950WL8R-12](#) [FL2951WL8G](#) [FL2951WL8R](#) [FL589C7R](#) [FL67WL8G](#) [MPC5BCW18.0](#) [556-1605-808F](#) [556-1705-809F](#)
[556-3008-839F](#) [558-0201-818F](#) [559-0001-813F](#) [559-1301-801F](#) [559-3501-804F](#)