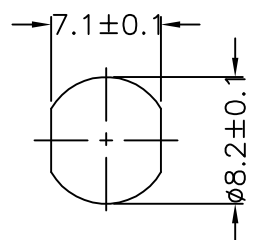
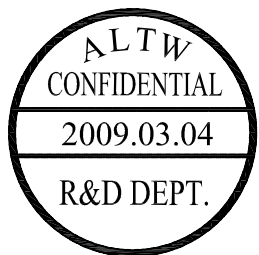
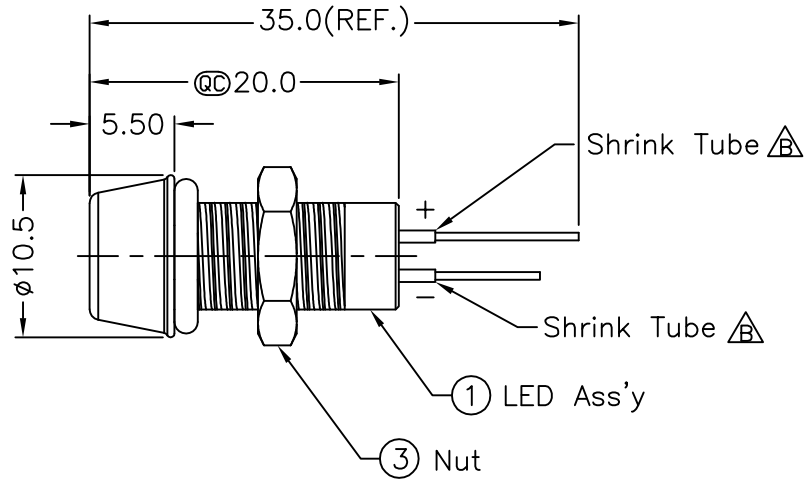
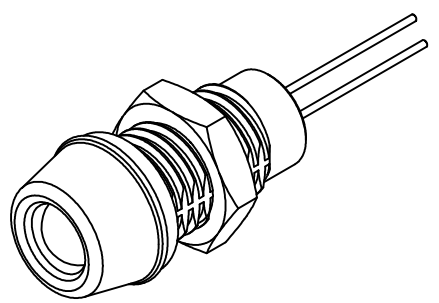


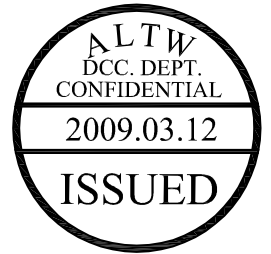
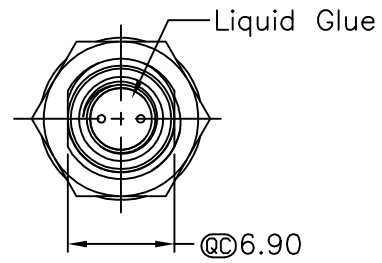
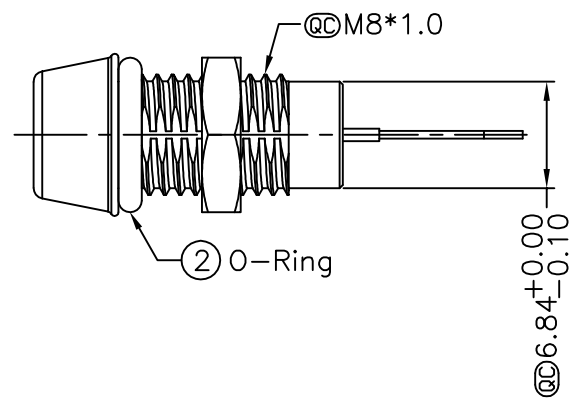
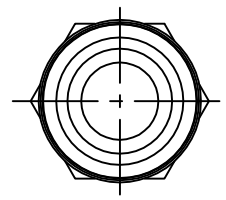
| REV. | ECN NO. | DATE | SIGN | DESCRIPTION |
|------|------------|------------|------------|-------------------------|
| B | LE3-850098 | 2008/05/14 | Rex | LED Pin Add Shrink Tube |
| C | LEN-930479 | 2009/03/04 | ZhaoRongFu | Add Waterproof Rate |



Recommended Panel Cut-Out



- Notes:
- * @@ Important Dimension To Check
 - * Waterproof Rate: IP67
 - * LED Holder: Brass, Nickel Plating
 - * LED: $\phi 5$ mm, White (高亮度)
 - * Gasket: EPDM, Black
 - * Screw Nut: Brass, Nickel Plating
 - * Operating Voltage: DC 4V
 - * Operating Temperature: $-40 \sim +80^{\circ}\text{C}$
 - * For Panel Thickness 6.5 max.



| | |
|-----------|-------|
| UNIT:mm | |
| TOLERANCE | |
| .X | ±0.25 |
| .XX | ±0.1 |
| .XXX | ±0.05 |
| ANGLES | ±1' |

| | |
|--|-----------------|
| TITLE Waterproof Led ($\phi 5$ mm) White, Solder Type | |
| SCALE Free | SHEET 1 OF 1 |
| REV. C | SIZE A4 |
| @@ : Inspection Item | |

Amphenol LTW
安費諾亮泰企業股份有限公司

| |
|------------------------------|
| ITEM NO L08-01WBAS-MR7001 |
| DWG NO L08-01WBAS-MR7001 |
| CUSTOMER ALTW |

| |
|--------------------------|
| DRAWN BY Zhao Rong Fu |
| CHECKED BY Prune |
| APPROVED BY LUKE |

| |
|--------------------|
| DATE 2009/03/04 |
| DATE 2009/03/05 |
| DATE 2009/03/05 |

THIS DOCUMENT IS SUBJECT TO CHANGE WITHOUT NOTICE. IT IS CONFIDENTIAL AND A PROPERTY OF Amphenol LTW. DISCLOSURE TO THIRD PARTY HAS TO BE AUTHORIZED BY Amphenol LTW.

X-ON Electronics

Largest Supplier of Electrical and Electronic Components

Click to view similar products for [LED Panel Mount Indicators](#) category:

Click to view products by [Amphenol](#) manufacturer:

Other Similar products are found below :

[607-3232-140F](#) [821-0331-503](#) [FL2870C8R](#) [FL2950WL7B](#) [FL2950WL8G](#) [FL589WL8R](#) [FL67C8R](#) [H8630FBBA3](#) [NL177WL2A](#)
[NL177WL3G](#) [NL276C2A](#) [NL2950BWL3G](#) [NL589WL2R](#) [NL67C2C](#) [NL67C3R](#) [C480AABG3](#) [PB22SKRS31KC](#) [L32R-R2-2311](#) [L3353-](#)
[MWRG](#) [L39UR-R24-2111](#) [L58D-G2-W](#) [L58D-Y2-W](#) [L59D-R12-W](#) [L59UD-R12-W](#) [L625DG](#) [L625DR](#) [LE177WL39007](#)
[LE2950BWL39018](#) [LH1048BSWL3702](#) [LH1048BWL3702](#) [LH382A](#) [LH677G](#) [LHM628A](#) [FL276WL7R](#) [FL2950BWL7R](#) [FL2950WL7R](#)
[FL2950WL8R](#) [FL2950WL8R-12](#) [FL2951WL8G](#) [FL2951WL8R](#) [FL589C7R](#) [FL67WL8G](#) [MPC5BCW18.0](#) [556-1605-808F](#) [556-1705-809F](#)
[556-3008-839F](#) [558-0201-818F](#) [559-0001-813F](#) [559-1301-801F](#) [559-3501-804F](#)