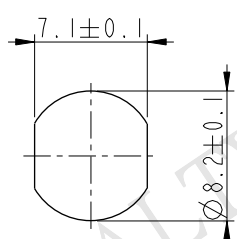
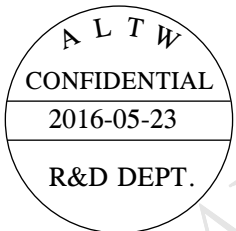
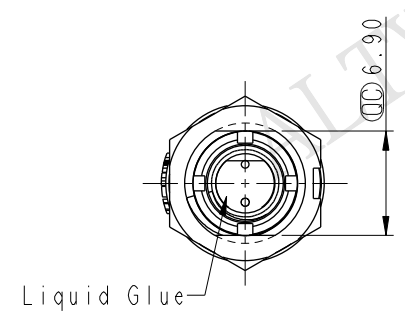
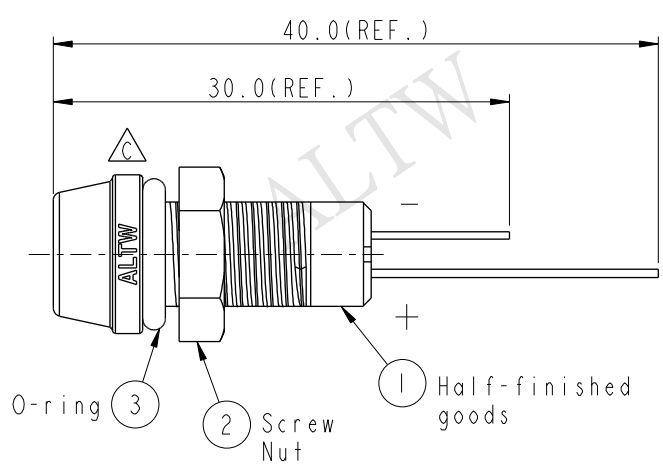
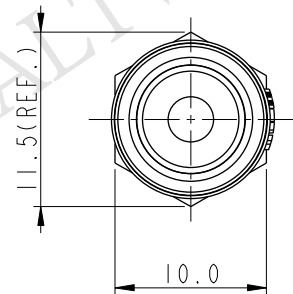
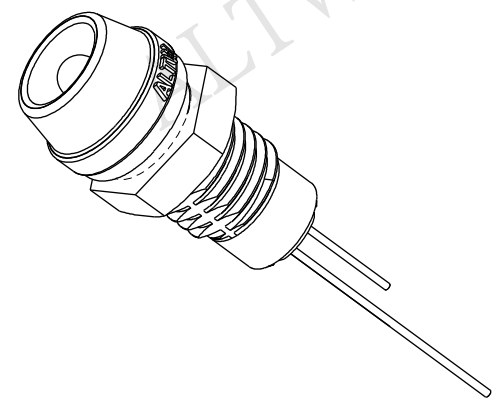
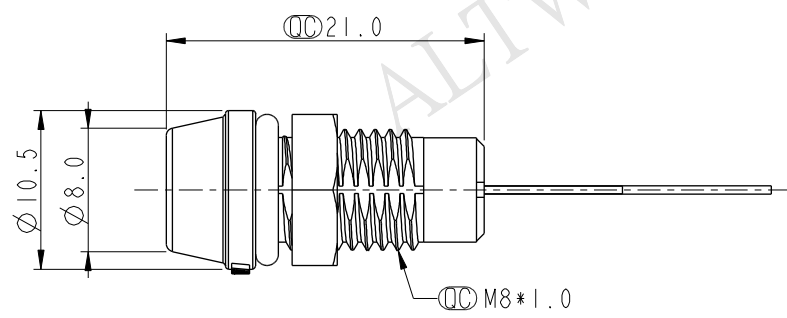


THIS DOCUMENT IS SUBJECT TO CHANGE WITHOUT NOTICE. IT IS CONFIDENTIAL AND A PROPERTY OF Amphenol LTW. DISCLOSURE TO THIRD PARTY HAS TO BE AUTHORIZED BY Amphenol LTW.

REV.	ECN NO.	DATE	SIGN	DESCRIPTION
B	LEN-930472	2009/03/04	ZhaoRongFu	Add Waterproof Rate
C	LEN1650816	2016/05/23	Ruru	Change Logo



Recommended Panel Cut-Out



- Notes:
- * CC Important Dimension To Check
 - * Waterproof Rate: IP67
 - * LED Holder: PC+ABS, Black
 - * LED: $\text{Ø}3$ mm, Green (高亮度)
 - * O-ring: EPDM, Black
 - * Screw Nut: Nylon+GF
 - * Operating Voltage: DC 4V
 - * Operating Temperature: $-40 \sim +80^{\circ}\text{C}$
 - * For Panel Thickness 6.5mm Max.

UNIT: mm		TITLE			ITEM NO.	DRAWN BY	DATE
		$\text{Ø}3\text{mm}$ Plastic LED ,Green			L08-01GAAS-PR7001	Ruru	2016-05-23
TOLERANCE	.X ± 0.25 .XX ± 0.1 .XXX ± 0.05 ANGLES $\pm 1^{\circ}$	SCALE	SIZE	SHEET	DWG NO.	CHECKED BY	DATE
		2:1	A4	1	OF	L08-01GAAS-PR7001	Rita
		REV.	WC-REV.	CC : Inspection item		APPROVED BY	DATE
		C	A.3	Amphenol LTW 安費諾亮泰企業股份有限公司		Lisa	2016-05-23
					CUSTOMER		
					ALTW		

X-ON Electronics

Largest Supplier of Electrical and Electronic Components

Click to view similar products for [LED Panel Mount Indicators](#) category:

Click to view products by [Amphenol](#) manufacturer:

Other Similar products are found below :

[607-3232-140F](#) [821-0331-503](#) [FL2870C8R](#) [FL2950WL7B](#) [FL2950WL8G](#) [FL589WL8R](#) [FL67C8R](#) [H8630FBBA3](#) [NL177WL2A](#)
[NL177WL3G](#) [NL276C2A](#) [NL2950BWL3G](#) [NL589WL2R](#) [NL67C2C](#) [NL67C3R](#) [C480AABG3](#) [PB22BM41K](#) [PB22SIM40Y](#)
[PB22SKRS31KC](#) [L32R-R2-2311](#) [L3353-MWRG](#) [L39UR-R24-2111](#) [L58D-G2-W](#) [L58D-Y2-W](#) [L59D-R12-W](#) [L59UD-R12-W](#) [L625DG](#)
[L625DR](#) [LE177WL39007](#) [LE2950BWL39018](#) [LH1048BSWL3702](#) [LH1048BWL3702](#) [LH382A](#) [LH677G](#) [LHM628A](#) [FL276WL7R](#)
[FL2950BWL7R](#) [FL2950WL7R](#) [FL2950WL8R](#) [FL2950WL8R-12](#) [FL2951WL8G](#) [FL2951WL8R](#) [FL589C7R](#) [FL67WL8G](#) [MPC5BCW18.0](#)
[556-1605-808F](#) [556-1705-809F](#) [556-3008-839F](#) [558-0201-818F](#) [559-0001-813F](#)