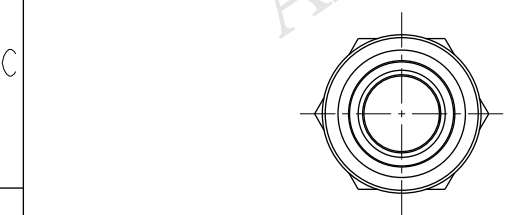
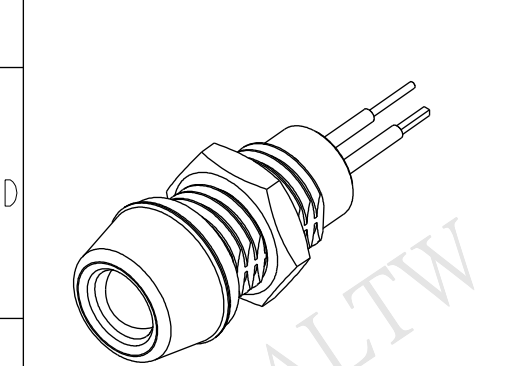
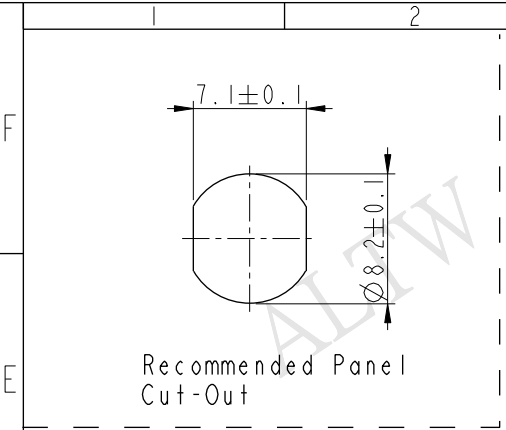
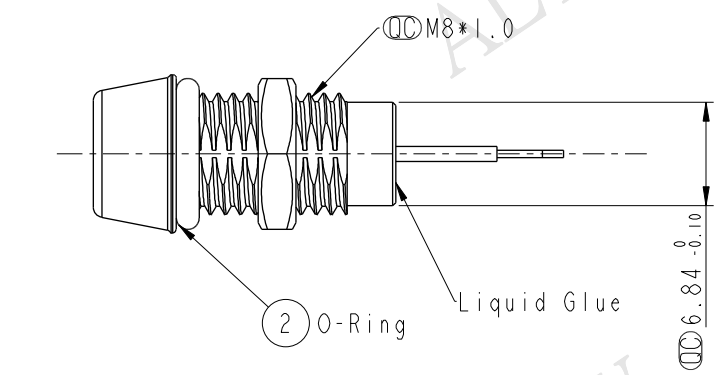
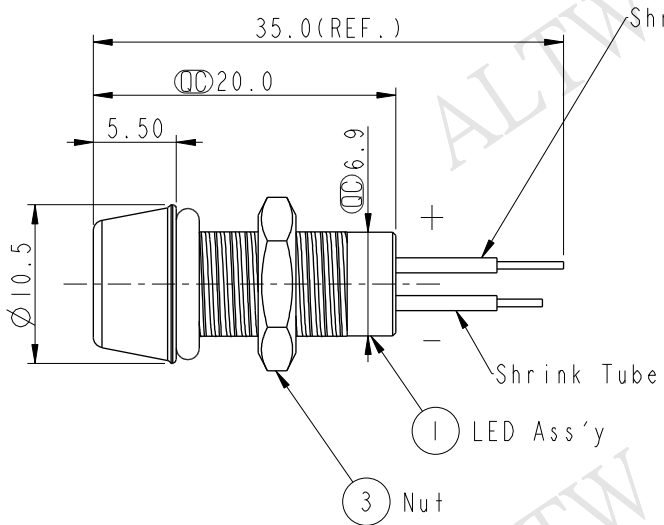


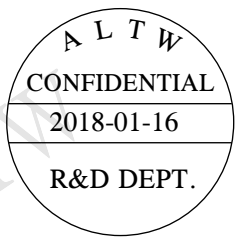
REV.	ECN NO.	DATE	SIGN	DESCRIPTION
C	LEN-8B0713	2008/11/24	TOMMY	CHANGE THE NOTE
D	LEN-930473	2009/03/04	ZhaoRongFu	Add Waterproof Rate
E	LEN1810176	2018/01/16	Mark	CHANGE THE NOTE



UNIT: mm		
TOLERANCE	.X ±0.25	
.XX ±0.1		
.XXX ±0.05		
ANGLES	±1°	



- Notes:
- * QC Important Dimension To Check
 - * Waterproof Rate: IP67
 - * LED Spec.
 - ∅5mm, Green
 - Lens Color: Water Clear
 - Viewing Angle: 15°
 - Absolute Maximum Rating (@25°C);
 - * Power Dissipation: 76mW
 - * Forward Current(IF): 30mA
 - * Reverse Voltage(VR): 5V
 - Forward Voltage(VF): typ. 3.3V(@IF=20mA, 25°C)
 - Luminous Intensity(IV): typ. 22000mcd(@IF=20mA, 25°C)
 - * Internal Current Limiting Resistor: 47Ω
 - * Recommended Operating Voltage: DC 4V
 - * LED Holder: Copper Alloy, Nickel Plating
 - * O-Ring: EPDM, Black
 - * Screw Nut: Copper Alloy, Nickel Plating
 - * Operating Temperature: -40~+80°C
 - * Panel Thickness: 6.5mm max.



TITLE Waterproof Led (∅5mm) Green, Solder Type			
SCALE 2:1	SIZE A4	SHEET 1 OF 1	
REV. E	WC-REV. A.2	QC : Inspection item	

Amphenol LTW
安費諾亮泰企業股份有限公司

ITEM NO. L08-01GBAS-MR7001	DRAWN BY Mark	DATE 2018/01/16
DWG NO. L08-01GBAS-MR7001	CHECKED BY Neo	DATE 2018/01/16
CUSTOMER ALTW	APPROVED BY Max	DATE 2018/01/16

THIS DOCUMENT IS SUBJECT TO CHANGE WITHOUT NOTICE. IT IS CONFIDENTIAL AND A PROPERTY OF AMPHENOL LTW. DISCLOSURE TO THIRD PARTY HAS TO BE AUTHORIZED BY AMPHENOL LTW.

X-ON Electronics

Largest Supplier of Electrical and Electronic Components

Click to view similar products for [LED Panel Mount Indicators](#) category:

Click to view products by [Amphenol](#) manufacturer:

Other Similar products are found below :

[607-3232-140F](#) [821-0331-503](#) [FL2870C8R](#) [FL2950WL7B](#) [FL2950WL8G](#) [FL589WL8R](#) [FL67C8R](#) [H8630FBBA3](#) [NL177WL2A](#)
[NL177WL3G](#) [NL276C2A](#) [NL2950BWL3G](#) [NL589WL2R](#) [NL67C2C](#) [NL67C3R](#) [C480AABG3](#) [PB22BM41K](#) [PB22SIM40Y](#)
[PB22SKRS31KC](#) [L32R-R2-2311](#) [L3353-MWRG](#) [L39UR-R24-2111](#) [L58D-G2-W](#) [L58D-Y2-W](#) [L59D-R12-W](#) [L59UD-R12-W](#) [L625DG](#)
[L625DR](#) [LE177WL39007](#) [LE2950BWL39018](#) [LH1048BSWL3702](#) [LH1048BWL3702](#) [LH382A](#) [LH677G](#) [LHM628A](#) [FL276WL7R](#)
[FL2950BWL7R](#) [FL2950WL7R](#) [FL2950WL8R](#) [FL2950WL8R-12](#) [FL2951WL8G](#) [FL2951WL8R](#) [FL589C7R](#) [FL67WL8G](#) [MPC5BCW18.0](#)
[556-1605-808F](#) [556-1705-809F](#) [556-3008-839F](#) [558-0201-818F](#) [559-0001-813F](#)