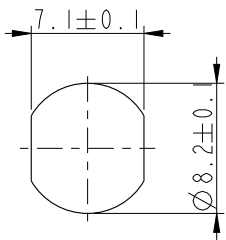
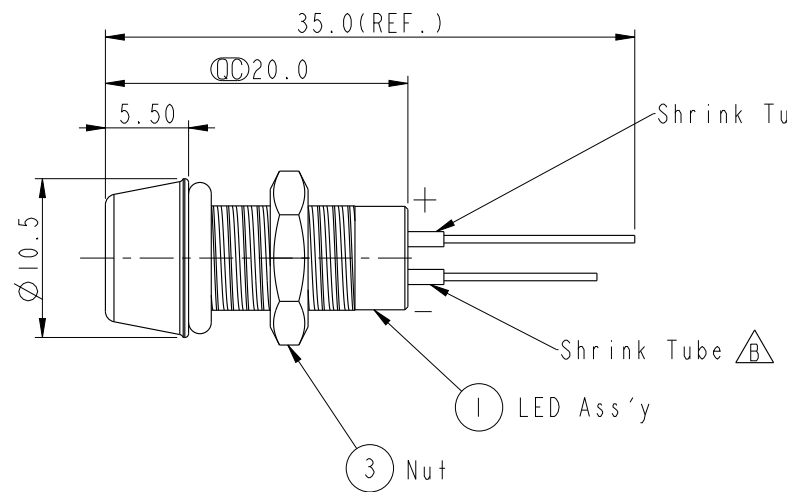
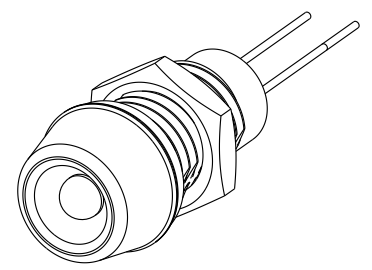


THIS DOCUMENT IS SUBJECT TO CHANGE WITHOUT NOTICE. IT IS CONFIDENTIAL AND A PROPERTY OF Amphenol LTW. DISCLOSURE TO THIRD PARTY HAS TO BE AUTHORIZED BY Amphenol LTW.

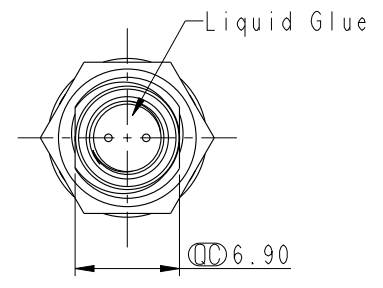
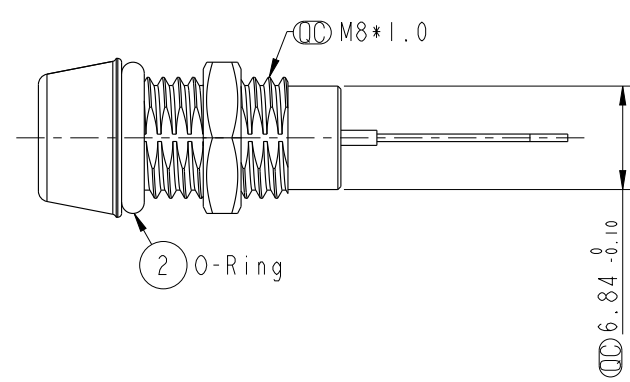
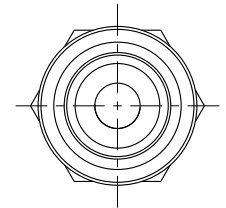
REV.	ECN NO.	DATE	SIGN	DESCRIPTION
B	LE3-850094	2008/05/14	Rex	LED Pin Add Shrink Tube
C	LEN-930474	2009/03/04	ZhaoRongFu	Add Waterproof Rate
D	C201700	2020/10/30	JC Chen	△DXI



Recommended Panel Cut-Out



- Notes:
- \* (CC) Important Dimension To Check
  - \* △C Waterproof Rate: IP67
  - \* LED Holder: Brass, Nickel Plating
  - \* LED: ∅3mm, Red (高亮度)
  - \* △D O-ring: EPDM, Black
  - \* Screw Nut: Brass, Nickel Plating
  - \* Operating Voltage: DC 4V
  - \* Operating Temperature: -40~+80°C
  - \* For Panel Thickness 6.5 max.



UNIT: mm		
TOLERANCE	.X ±0.25	
.XX ±0.1		
.XXX ±0.05		
ANGLES	±1°	

TITLE Waterproof Led (∅3mm) Red, Solder Type		
SCALE 2:1	SIZE A4	SHEET 1 OF 1
REV. D	WC-REV. A.2	(CC): Inspection item

**Amphenol LTW**  
安費諾亮泰企業股份有限公司

ITEM NO. L08-01RAAS-MR7001	DRAWN BY DEL_SamChang	DATE 2012-11-01
DWG NO. L08-01RAAS-MR7001	CHECKED BY Jeffrey	DATE 2012-11-02
CUSTOMER ALTW	APPROVED BY Maslow	DATE 2012-11-02

## X-ON Electronics

Largest Supplier of Electrical and Electronic Components

*Click to view similar products for [LED Panel Mount Indicators](#) category:*

*Click to view products by [Amphenol](#) manufacturer:*

Other Similar products are found below :

[607-3232-140F](#) [821-0331-503](#) [FL2870C8R](#) [FL2950WL7B](#) [FL2950WL8G](#) [FL589WL8R](#) [FL67C8R](#) [H8630FBBA3](#) [NL177WL2A](#)  
[NL177WL3G](#) [NL276C2A](#) [NL2950BWL3G](#) [NL589WL2R](#) [NL67C2C](#) [NL67C3R](#) [C480AABG3](#) [PB22BM41K](#) [PB22SIM40Y](#)  
[PB22SKRS31KC](#) [L32R-R2-2311](#) [L3353-MWRG](#) [L39UR-R24-2111](#) [L58D-G2-W](#) [L58D-Y2-W](#) [L59D-R12-W](#) [L59UD-R12-W](#) [L625DG](#)  
[L625DR](#) [LE177WL39007](#) [LE2950BWL39018](#) [LH1048BSWL3702](#) [LH1048BWL3702](#) [LH382A](#) [LH677G](#) [LHM628A](#) [FL276WL7R](#)  
[FL2950BWL7R](#) [FL2950WL7R](#) [FL2950WL8R](#) [FL2950WL8R-12](#) [FL2951WL8G](#) [FL2951WL8R](#) [FL589C7R](#) [FL67WL8G](#) [MPC5BCW18.0](#)  
[556-1605-808F](#) [556-1705-809F](#) [556-3008-839F](#) [558-0201-818F](#) [559-0001-813F](#)