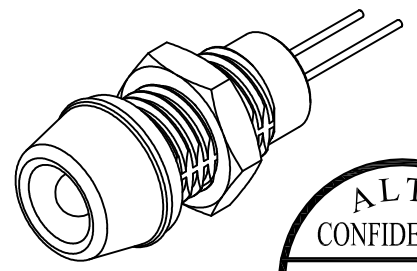
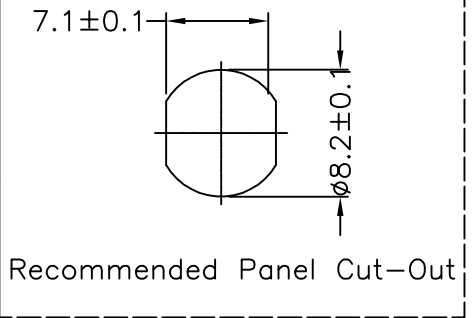
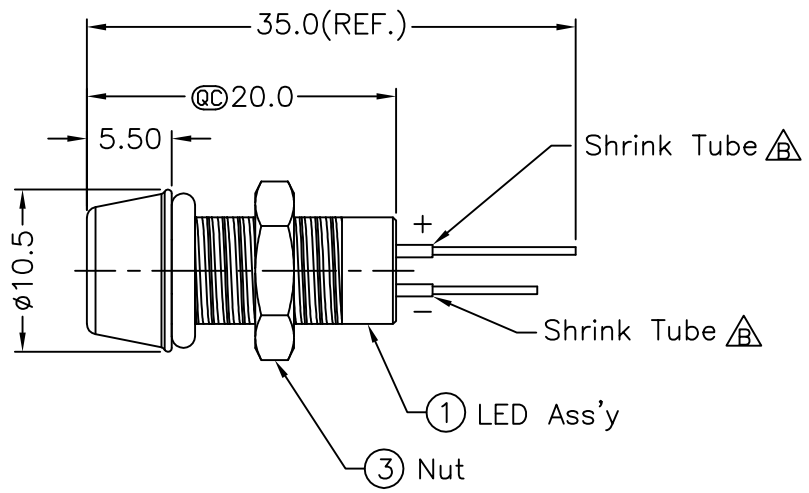


REV.	ECN NO.	DATE	SIGN	DESCRIPTION
B	LF3-850097	2008/05/14	Rex	LED Pin Add Shrink Tube
C	LEN-930480	2009/03/04	ZhaoRongFu	Add Waterproof Rate

THIS DOCUMENT IS SUBJECT TO CHANGE WITHOUT NOTICE. IT IS CONFIDENTIAL AND A PROPERTY OF Amphenol LTW. DISCLOSURE TO THIRD PARTY HAS TO BE AUTHORIZED BY Amphenol LTW.

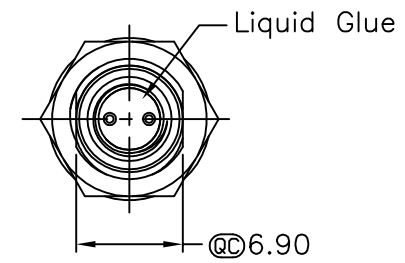
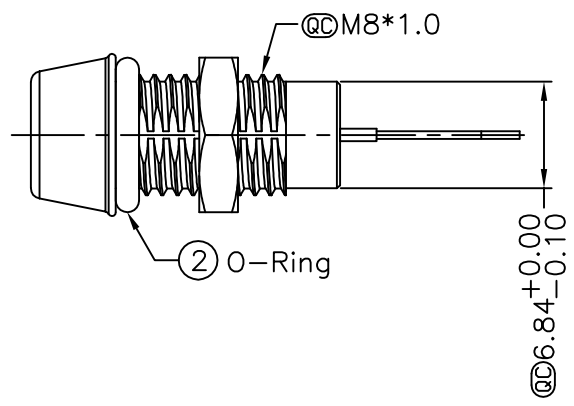
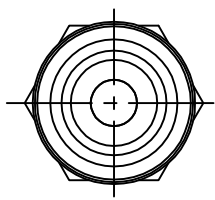


ALTW
 CONFIDENTIAL
 2009.03.04
 R&D DEPT.



Notes:

- * @C Important Dimension To Check
- * Waterproof Rate: IP67
- * LED Holder: Brass, Nickel Plating
- * LED: $\phi 3$ mm, Yellow (高亮度)
- * Gasket: EPDM, Black
- * Screw Nut: Brass, Nickel Plating
- * Operating Voltage: DC 4V
- * Operating Temperature: $-40 \sim +80^{\circ}\text{C}$
- * For Panel Thickness 6.5mm Max.



ALTW
 DCC. DEPT.
 CONFIDENTIAL
 2009.03.12
 ISSUED

UNIT:mm		TITLE Waterproof Led ($\phi 3$ mm) Yellow, Solder Type	
TOLERANCE	.X ±0.25 .XX ±0.1 .XXX ±0.05 ANGLES ±1°	SCALE Free	SHEET 1 OF 1
REV.	C	SIZE A4	@C : Inspection Item

Amphenol LTW
 安費諾亮泰企業股份有限公司

ITEM NO L08-01YAAS-MR7001	DRAWN BY Zhao Rong Fu	DATE 2009/03/04
DWG NO L08-01YAAS-MR7001	CHECKED BY Prune	DATE 2009/03/05
CUSTOMER ALTW	APPROVED BY LUKE	DATE 2009/03/05

X-ON Electronics

Largest Supplier of Electrical and Electronic Components

Click to view similar products for [LED Panel Mount Indicators](#) category:

Click to view products by [Amphenol](#) manufacturer:

Other Similar products are found below :

[607-3232-140F](#) [821-0331-503](#) [FL2870C8R](#) [FL2950WL7B](#) [FL2950WL8G](#) [FL589WL8R](#) [FL67C8R](#) [H8630FBBA3](#) [NL177WL2A](#)
[NL177WL3G](#) [NL276C2A](#) [NL2950BWL3G](#) [NL589WL2R](#) [NL67C2C](#) [NL67C3R](#) [C480AABG3](#) [PB22BM41K](#) [PB22SIM40Y](#)
[PB22SKRS31KC](#) [L32R-R2-2311](#) [L3353-MWRG](#) [L39UR-R24-2111](#) [L58D-G2-W](#) [L58D-Y2-W](#) [L59D-R12-W](#) [L59UD-R12-W](#) [L625DG](#)
[L625DR](#) [LE177WL39007](#) [LE2950BWL39018](#) [LH1048BSWL3702](#) [LH1048BWL3702](#) [LH382A](#) [LH677G](#) [LHM628A](#) [FL276WL7R](#)
[FL2950BWL7R](#) [FL2950WL7R](#) [FL2950WL8R](#) [FL2950WL8R-12](#) [FL2951WL8G](#) [FL2951WL8R](#) [FL589C7R](#) [FL67WL8G](#) [MPC5BCW18.0](#)
[556-1605-808F](#) [556-1705-809F](#) [556-3008-839F](#) [558-0201-818F](#) [559-0001-813F](#)