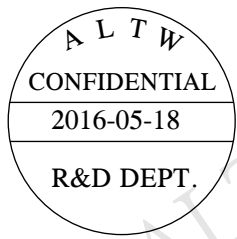
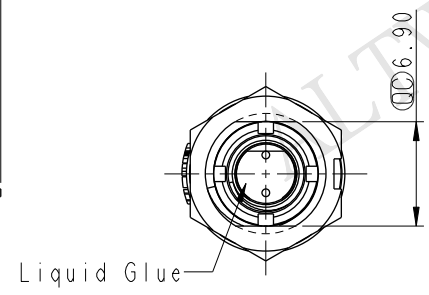
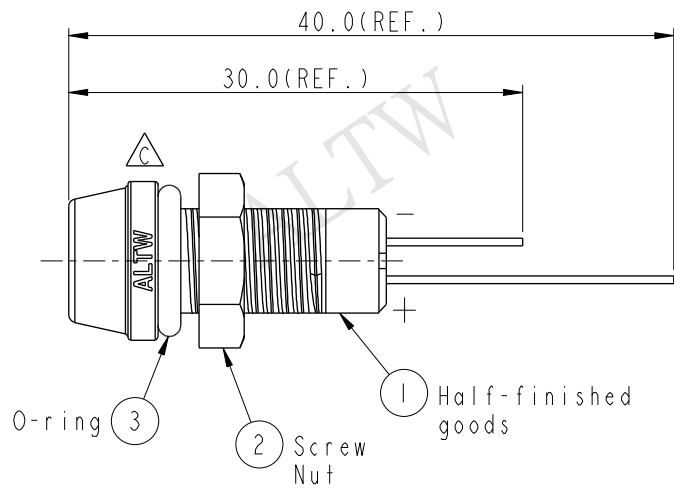
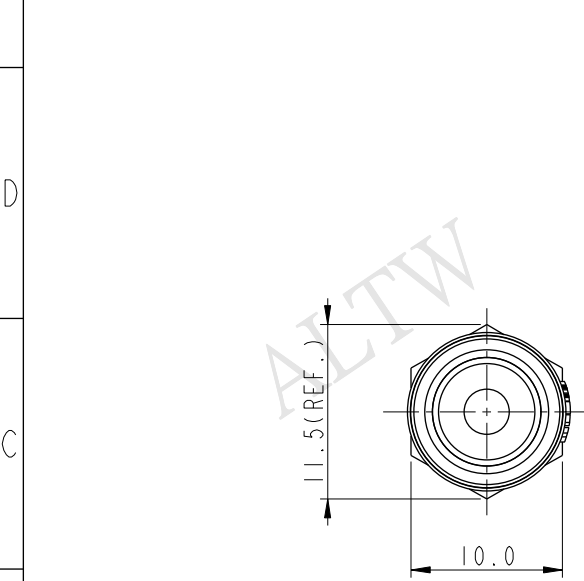
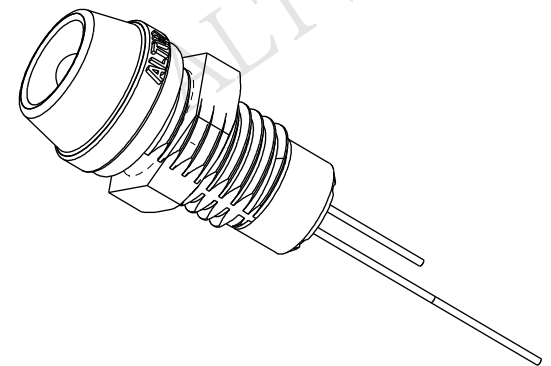
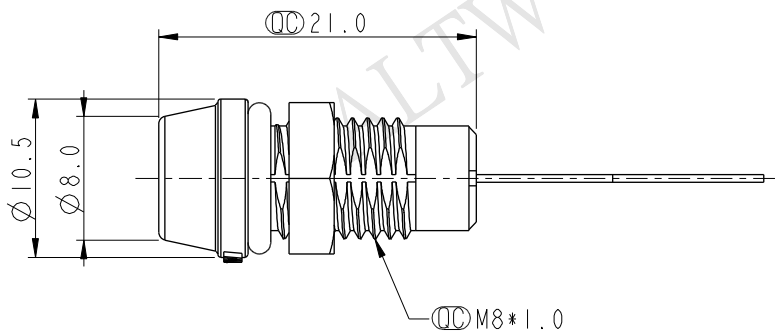
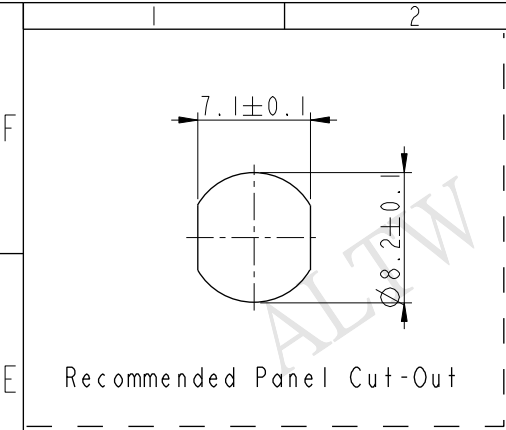


REV.	ECN NO.	DATE	SIGN	DESCRIPTION
B	LEN-930481	2009/03/04	ZhaoRongFu	Add Waterproof Rate
C	LEN1650671	2016/05/18	Ruru	Change Logo



- Notes:
- \*  $\text{CC}$  Important Dimension To Check
  - \* Waterproof Rate: IP67
  - \* LED Holder: PC+ABS, Black
  - \* LED:  $\text{Ø}3$  mm, Yellow (高亮度)
  - \* O-ring: EPDM, Black
  - \* Screw Nut: Nylon+GF
  - \* Operating Voltage: DC 4V
  - \* Operating Temperature:  $-40 \sim +80^{\circ}\text{C}$
  - \* For Panel Thickness 6.5mm Max.

UNIT: mm			TITLE $\text{Ø}3\text{mm}$ Plastic LED, Yellow
TOLERANCE .X $\pm 0.25$ .XX $\pm 0.1$ .XXX $\pm 0.05$ ANGLES $\pm 1^{\circ}$	SCALE 2:1	SIZE A4	SHEET 1 OF 1
REV. C	WC-REV. A.2	$\text{CC}$ : Inspection item	

**Amphenol LTW**  
安費諾亮泰企業股份有限公司

ITEM NO. L08-01YAAS-PR7001	DRAWN BY Ruru	DATE 2016-05-18
DWG NO. L08-01YAAS-PR7001	CHECKED BY Rita	DATE 2016-05-18
CUSTOMER ALTW	APPROVED BY Lisa	DATE 2016-05-18

THIS DOCUMENT IS SUBJECT TO CHANGE WITHOUT NOTICE. IT IS CONFIDENTIAL AND A PROPERTY OF Amphenol LTW. DISCLOSURE TO THIRD PARTY HAS TO BE AUTHORIZED BY Amphenol LTW.

## X-ON Electronics

Largest Supplier of Electrical and Electronic Components

*Click to view similar products for [LED Panel Mount Indicators](#) category:*

*Click to view products by [Amphenol](#) manufacturer:*

Other Similar products are found below :

[607-3232-140F](#) [821-0331-503](#) [FL2870C8R](#) [FL2950WL7B](#) [FL2950WL8G](#) [FL589WL8R](#) [FL67C8R](#) [H8630FBBA3](#) [NL177WL2A](#)  
[NL177WL3G](#) [NL276C2A](#) [NL2950BWL3G](#) [NL589WL2R](#) [NL67C2C](#) [NL67C3R](#) [C480AABG3](#) [PB22SKRS31KC](#) [L32R-R2-2311](#) [L3353-](#)  
[MWRG](#) [L39UR-R24-2111](#) [L58D-G2-W](#) [L58D-Y2-W](#) [L59D-R12-W](#) [L59UD-R12-W](#) [L625DG](#) [L625DR](#) [LE177WL39007](#)  
[LE2950BWL39018](#) [LH1048BSWL3702](#) [LH1048BWL3702](#) [LH382A](#) [LH677G](#) [LHM628A](#) [FL276WL7R](#) [FL2950BWL7R](#) [FL2950WL7R](#)  
[FL2950WL8R](#) [FL2950WL8R-12](#) [FL2951WL8G](#) [FL2951WL8R](#) [FL589C7R](#) [FL67WL8G](#) [MPC5BCW18.0](#) [556-1605-808F](#) [556-1705-809F](#)  
[556-3008-839F](#) [558-0201-818F](#) [559-0001-813F](#) [559-1301-801F](#) [559-3501-804F](#)