

# TECHNICAL DATA

'' D '' SUBMINIATURE CONNECTORS

SHELL :Steel .  
 finish : Chromated over Zinc - colour : Yellow.  
 or tinned  
 BODY : Glass filled thermoplastic .  
 Flame retardant to UL 94 V-0 .  
 Colour : black .

CONTACTS :Material for sockets : bronze  
 Material for pins brass  
 Finish of contact mating area :  
 30 μ inch ( 0,8 μ m ) Gold over Nickel

ELECTRICAL Voltage rating 300 V Rms to 50Hz .  
 Nominal current 7,5 A (size20)  
 Voltage proof >1100 V Rms to 50 Hz  
 Contact resistance <5m Ohms .  
 Insulator resistance >5000 M Ohms.

CLIMATIC Temperature range -40°C 125°C  
 Damp heart 56 days (40°C - 95 % RH )

MECHANICAL Insertion force per contact 1,2N < F <2,5 N  
 Extraction force per contact 0,4 N mini  
 Mating and unmating force size E 30N maxi 3.5N mini  
 A 50N maxi 4.5N mini  
 B 83N maxi 8.0N mini  
 C 123N maxi 11N mini  
 D 166N max 14.5N mini

(With or without dimples)

MARKING Amphenol - ....(serie number)  
 Commercial reference  
 Manufacturing date

177DF \* G \*\*

\* OL2 RM5

117 chromated over zinc  
 177 Tinned Shell  
 717 Tinned shell with DIMPLES  
 monobloc dielectric

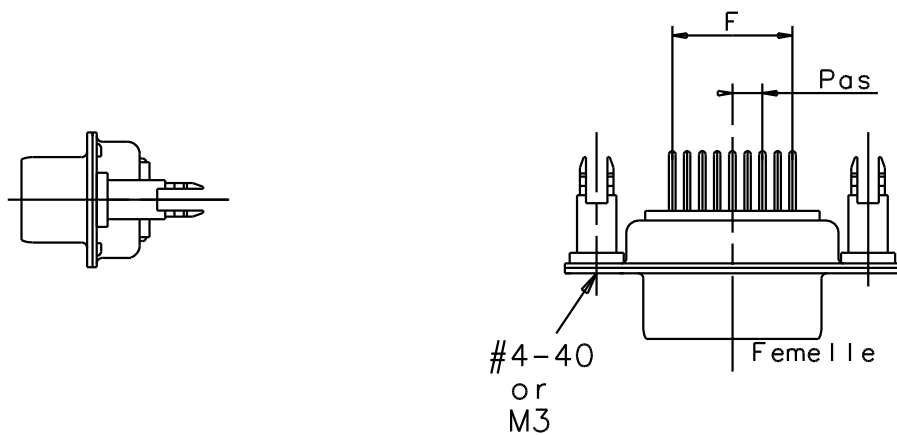
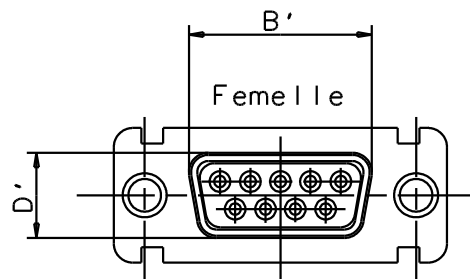
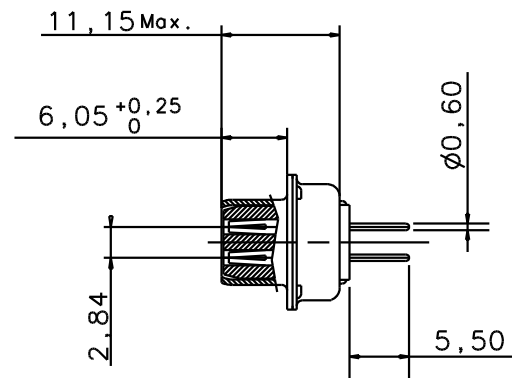
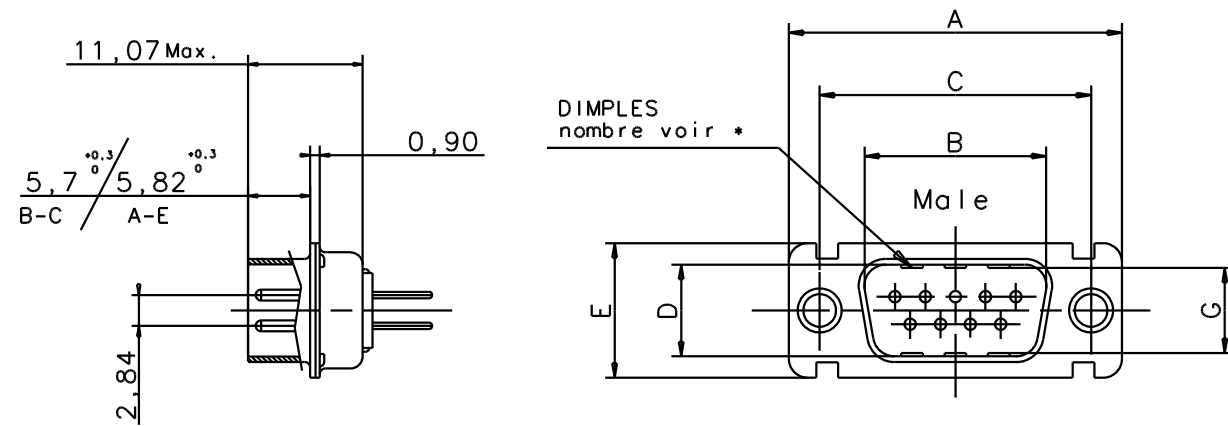
Shell size :  
 E-A-B-C-D

Mounting type  
 RM5 -G- M3 threaded  
 RM5 -H- #4-40 threaded

Configuration :  
 09-15-25-37-50

contact type :  
 OL2  
 Straight printed circuit  
 board ( PCB )  
 RM5  
 Snap-in stand-off boardlock  
 #4-40 or M3 threaded

Contact type : S = female  
 P = male

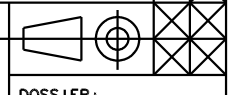


Taille boîtier	A	B'	B	C	D'	D	E	F ±0,05	Pas	G	*
E	30,11	16,46	17,04	25,12	7,03	8,48	12,93	10,98	2,74	7,62	2x3
A	30,43	24,54	25,12	33,45	7,03	8,48	12,93	19,20	2,74	7,62	2x5
B	31,42	33,51	33,80	47,17	7,03	8,48	12,93	33,12	2,76	7,62	2x8
C	39,40	44,71	55,05	63,37	7,03	8,48	12,93	49,68	2,76	7,62	2x12
D	51,15	52,30	52,88	61,24	10,87	11,33	15,75	44,20	2,76	10,5	2x12

Amphenol Socapex  
 Usine de Dole

C	VOLTAGE PROOF	06/07/2004	Quere
B	RMG-G RM5-H	05/11/02	Quere
A	Creation plan	08/12/98	Quere
IND.	MODIFICATION	DATE	Execut/Approb

PLAN NOTICE



N SERIE 017F DESIGNATION 177DF \*G\*\* \* OL2 RM5

COMMUNICATION ET UTILISATION INTERDITES SAUF AUTORISATION

17DF-69

DATE DU TIRAGE

N CLIENT

N OUTIL

N ETUDE

## X-ON Electronics

Largest Supplier of Electrical and Electronic Components

*Click to view similar products for [D-Sub Standard Connectors](#) category:*

*Click to view products by [Amphenol](#) manufacturer:*

Other Similar products are found below :

[56F706-005-LI](#) [56F711-015](#) [012-9507-004](#) [LV242999-142T12](#) [015-0341-000](#) [015-0372-005](#) [015-0372-008](#) [015-8755-001](#) [020419-0104](#)  
[012-0467-000](#) [012-0515-000](#) [012-9507-034](#) [012-9507-114](#) [020745-0008](#) [609-25P](#) [CT2-14S-2PCA34](#) [CT2-18-11PCAU](#) [CT6-10SL-3SC](#)  
[CT6-10SL-4SC](#) [CT6-14S-2SC](#) [CT6E14SA7SC](#) [CT6N10SL-4SSA34](#) [M83513/01-FC](#) [M83723/76W24619 L/C](#) [M85049/48-3-2F](#)  
[6STD09PCM99B70X](#) [6STD09SCM99B30X](#) [6STD09SCT99S40X](#) [6STD15PCT99S40X](#) [6STD15SCT99S40X](#) [6STF09PCM05B70X](#) [7-](#)  
[135760-9](#) [MC11E-10-6SN](#) [747552-3](#) [MD1-21PS](#) [MDM-15SCBRM7-F222](#) [MDM96517-699](#) [MDM96521-744](#) [MDVB1-21SL1](#) [MIK0-1-](#)  
[7SH003](#) [MIKQ6-7SH076](#) [MIKQ7-7PH077](#) [MIKQ7-7PH11](#) [MIKQ7-7PH32](#) [MJSV-28SL61](#) [MKJ4A1F14-55S](#) [8-135760-3](#)  
[8STD09PCM99B30X](#) [PG-KV/PV-16-GROM-SEALING](#) [GDA15P](#)