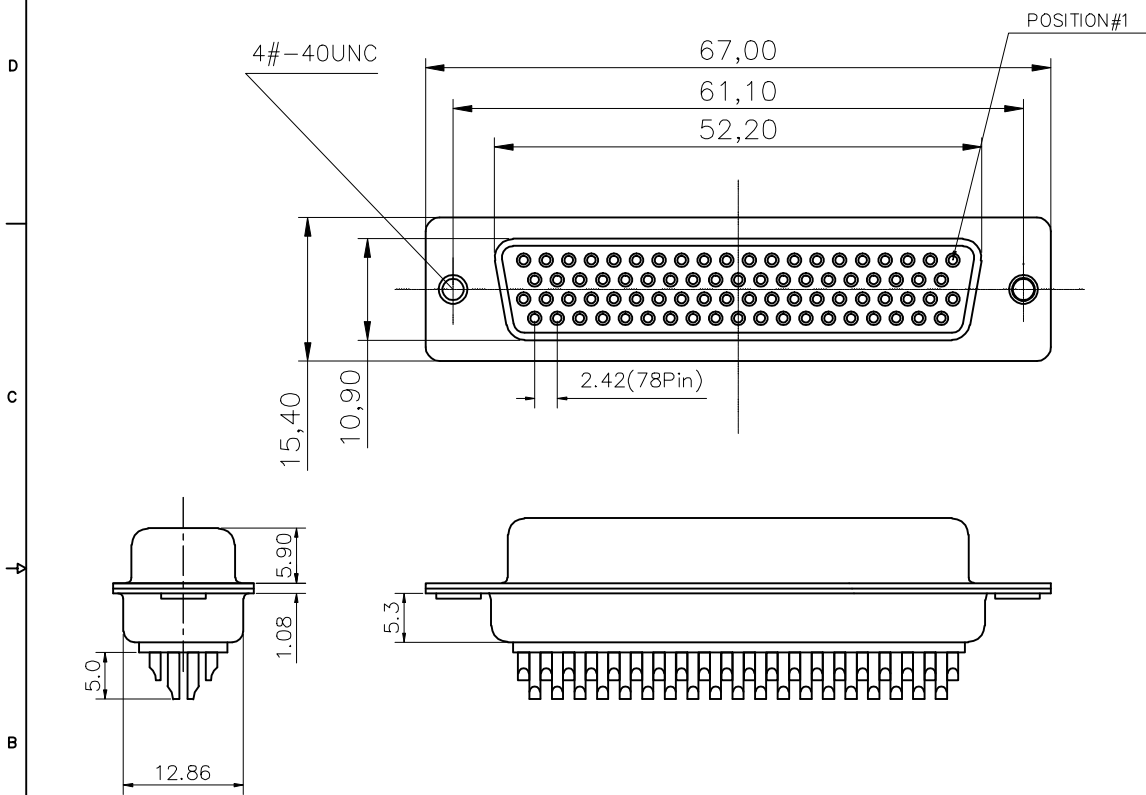


This document is the property of Amphenol Corporation and is delivered on the express condition that it is not to be disclosed, reproduced or used, in whole or in part, for manufacture or sale by anyone other than Amphenol Corporation without its prior consent, & that no right is granted to disclose or to use any information in this document.



Customer drawing

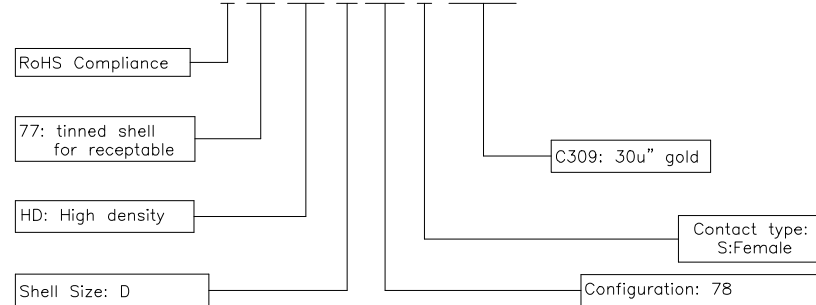
| REVISIONS | | | | |
|-----------|-----|-------------|--------|----------|
| SYM | ECN | DESCRIPTION | DATE | APPROVED |
| 1 | | New release | 3/8/12 | IP |

D-SUB TECHNICAL DATA

SHELL : Steel, 100u" min tin over 50u" min nickel
 BODY : Glass filled thermoplastic.
 Flame retardant to UL94 V-0, Color Black
 CONTACTS : Brass
 30u" min gold over 50u" min nickel on mating area
 100u" min tin over 50u" min nickel on solder area
 ELECTRICAL : Voltage rating 250 V Rms to 50 Hz
 Current rating signal contacts 3A
 Withstanding Voltage : 1000 V Rms to 50 Hz for one minute
 Insulation resistance : 1000 M Ohms at 500V DC
 Contact resistance 20 mOhms max.
 CLIMATIC : Temperature range -55 °C up to 125°C
 MARKING : Amphenol-...(Series No.)
 Manufacturing date

PRODUCT CODE

L 77 HD D 78 S C309



| | | | | |
|--------------------------------------|--------|---------------------|--------|--------|
| UNLESS OTHERWISE SPECIFIED | | APPROVAL | | DATE |
| TOLERANCES | | DRAWN | xs.guo | 3/2/12 |
| | U.S. | CHECKED | Tony | 3/1/12 |
| .X +/- | 0.50 | CHECKED | | |
| .XX +/- | 0.30 | | | |
| .XXX +/- | 0.20 | | | |
| FRACTIONS +/- | | | | |
| ANGLES +/- | 2° | | | |
| FOR MATERIALS AND FINISHES SEE NOTES | | DRAWING FILE : | | |
| REMOVE SHARP EDGES | | ANGLE OF PROJECTION | | |
| DIMENSIONS | | | | |
| U.S. | INCHES | | | |
| METRIC | MM | | | |

| | | |
|--------------------------------------------------|-----------------|--------------|
| Amphenol | | |
| Amphenol East Asia Limited | | |
| TITLE Stamped and formed connector, HD series | | |
| SIZE | DRAWING NO. | REV. |
| A4 | C L77HDD78SC309 | 1 |
| SCALE | NONE | SHEET 1 OF 1 |

X-ON Electronics

Largest Supplier of Electrical and Electronic Components

Click to view similar products for [D-Sub High Density Connectors](#) category:

Click to view products by [Amphenol](#) manufacturer:

Other Similar products are found below :

[D02-29P-F0R](#) [1484349-1](#) [163A16769X](#) [163A16809X](#) [163A17089X](#) [164A17199X](#) [164A17209X](#) [164A17479X](#) [164A18209X](#) [17BH-044S-AA110](#) [K86X-AD-26S](#) [KF66X-A26P-NJ](#) [KF66X-E15P-N](#) [241A17320X](#) [242A18390X](#) [242A25680X](#) [242A25740X](#) [L717HDB44POL2R210](#) [L717HDCH62POL2RM5](#) [L717HDEH15POL2](#) [L777HDE15P](#) [L77HDC62S](#) [L77HDE15SC309](#) [163A16599X](#) [163A16759X](#) [163A16779X](#) [163A16839X](#) [163A17049X](#) [163A17079X](#) [164A17309X](#) [164A17329X](#) [164A18219X](#) [241A16440X](#) [241A16550X](#) [241A16680X](#) [241A17390X](#) [241A20810X](#) [241A25740X](#) [CT25-44P](#) [K66X-E15S-N30](#) [K86X-BA-44S](#) [K86X-ED-15S-BR15](#) [K86X-ED-15SK](#) [L177HDE15SOL2RM23](#) [L177HRC62S](#) [L177HRC62SVFM](#) [L177HRCG62S](#) [L717HDBH44POL2RM5](#) [L717HDEG15POL2RM5](#) [L77HDE15SD1CO](#)