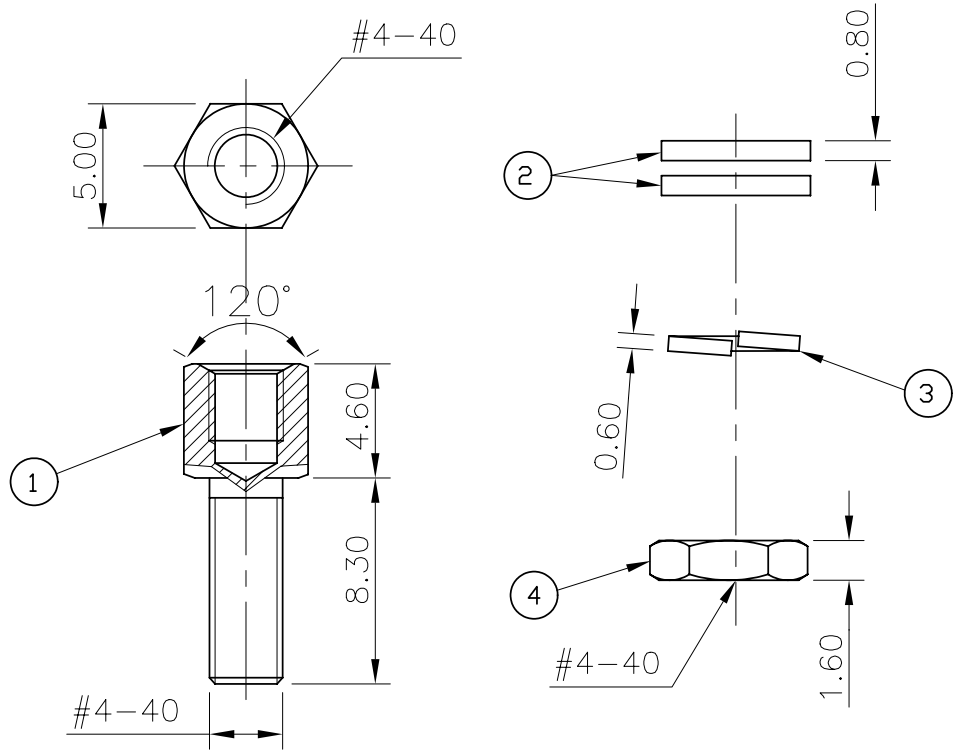


This document is the property of Amphenol Corporation and is delivered on the express condition that it is not to be disclosed, reproduced or used, in whole or in part, for manufacture or sale by anyone other than Amphenol Corporation without its prior consent, & that no right is granted to disclose or to use any information in this document.



- ① SCREW
- ② WASHERS
- ③ LOCK WASHER
- ④ NUT



Customer drawing

1 REVISIONS				
SYM	ECN	DESCRIPTION	DATE	APPROVED
1			04/25/08	

*D-SUB TECHNICAL DATA*

**MATERIAL:**

Screwlock: Steel,100u" min tin over 50u" min nickel.  
 Washer: Steel,100u" min tin over 50u" min nickel.  
 Lock washer: XC 35  
 Nut: Brass,100u" min tin over 50u" min nickel.

**PACKAGE:**

Delivered separately  
 1 P/N = 10 sets

**MARKING:**

Amphenol...(Series No.) Commercial reference  
 Manufacturing date

UNLESS OTHERWISE SPECIFIED TOLERANCES		APPROVAL		DATE	Amphenol®	
	U.S.	METRIC	DRAWN	Christina.cou		04/25/08
.X	+/-	0.50	CHECKED	Hk.wang		04/25/08
.XX	+/-	0.30	CHECKED			
.XXX	+/-	0.20				
FRACTIONS	+/-					
ANGLES	+/-	2'				
FOR MATERIALS AND FINISHES SEE NOTES		DRAWING FILE :		TITLE		
REMOVE SHARP EDGES		ANGLE OF PROJECTION		Accessory, screwlock with nut and washers		
DIMENSIONS				SIZE	DRAWING NO.	
U.S.	INCHES			A4	C L17D2041B2TX	
METRIC	MM			SCALE	REV.	
				NONE	1	
				SHEET 1 OF 1		

## X-ON Electronics

Largest Supplier of Electrical and Electronic Components

*Click to view similar products for [D-Sub Tools & Hardware](#) category:*

*Click to view products by [Amphenol](#) manufacturer:*

Other Similar products are found below :

[000-01-09-132](#) [000-01-21-132](#) [000-01-31-162](#) [572019-00105-70](#) [000-01-37-162](#) [621-250-113-115](#) [D110550-2](#) [D20418-137](#) [780-518-50SG6-WS](#) [86552009](#) [86553115TLF](#) [86553117TLF](#) [1230032-1](#) [1-5021101-2](#) [1589283-4](#) [160-000-005R031](#) [16-000230](#) [160-025-004R031](#) [160-020-209R000](#) [160X10909X](#) [164C03939A](#) [177-505-A-2-2](#) [1-966830-8](#) [21018-6](#) [2-1393560-9](#) [JS-1000](#) [L17D204182M3E](#) [L17D53018](#) [300X10779X](#) [160X10189X](#) [160X10419X](#) [162-000-050R000](#) [21018-5](#) [212561-3](#) [248C21550X](#) [CF15P](#) [D110277](#) [D20418-135](#) [500-008NF1K-01](#) [500-008NF3R3KS-01](#) [500-017M09FN](#) [500-017M15MHN](#) [500-024M1](#) [500-068M3](#) [5-1393561-5](#) [C115373-0001](#) [C115373-0002](#) [3342-4-KIT](#) [K1003](#) [L17D4M68711](#)