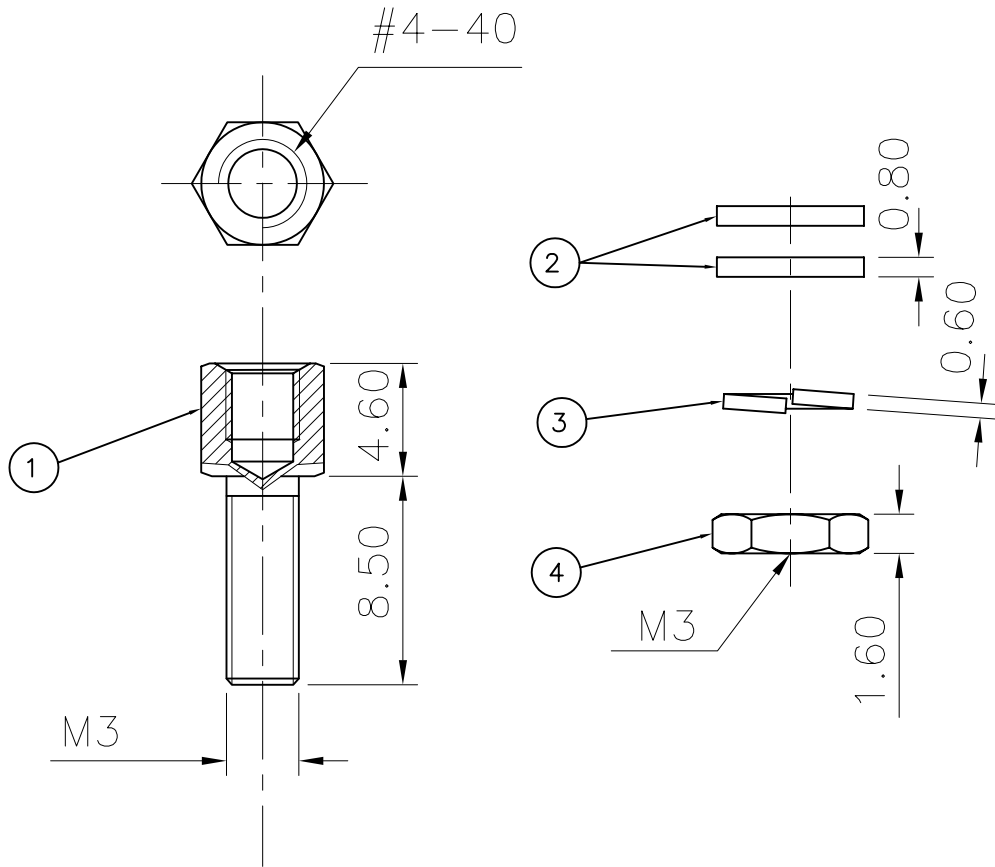


This document is the property of Amphenol Corporation and is delivered on the express condition that it is not to be disclosed, reproduced or used, in whole or in part, for manufacture or sale by anyone other than Amphenol Corporation without its prior consent, & that no right is granted to disclose or to use any information in this document.



REVISIONS				
SYM	ECN	DESCRIPTION	DATE	APPROVED
A			09/17/07	

## D-SUB TECHNICAL DATA

### MATERIAL:

screwlock: steel,100u" min sn over 50u" min nickel  
 washer: steel,100u" min sn over 50u" min nickel  
 lock washer: steel,100u" min sn over 50u" min nickel  
 nut: steel,100u" min sn over 50u"

### PACKAGE:

delivered separately  
 1 P/N = 10sets

### MARKING:

Amphenol...(Series No.) Commercial reference  
 Manufacturing date

- ① SCREW
- ② WASHERS
- ③ LOCK WASHER
- ④ NUT



UNLESS OTHERWISE SPECIFIED TOLERANCES		APPROVAL	DATE	Amphenol		
	U.S. METRIC	DRAWN	Christian.cui		09/17/07	
.X +/-	0.50	CHECKED	kk.wang		09/17/07	
.XX +/-	0.30	CHECKED				
.XXX +/-	0.20					
FRACTIONS +/-						
ANGLES +/-	2'					
FOR MATERIALS AND FINISHES SEE NOTES		DRAWING FILE :		TITLE		
REMOVE SHARP EDGES		ANGLE OF PROJECTION		Accessory, screwlock with nut and washers		
DIMENSIONS				SIZE DRAWING NO.		
U.S. INCHES				A4	C L17D2041843X(10PCES)	REV. A
METRIC MM				SCALE NONE	SHEET 1 OF 1	

## X-ON Electronics

Largest Supplier of Electrical and Electronic Components

*Click to view similar products for [D-Sub Tools & Hardware](#) category:*

*Click to view products by [Amphenol](#) manufacturer:*

Other Similar products are found below :

[000-01-09-132](#) [000-01-21-132](#) [000-01-31-162](#) [572019-00105-70](#) [000-01-37-162](#) [621-250-113-115](#) [D110550-2](#) [D20418-137](#) [780-518-50SG6-WS](#) [86552009](#) [86553115TLF](#) [86553117TLF](#) [1230032-1](#) [1-5021101-2](#) [1589283-4](#) [160-000-005R031](#) [16-000230](#) [160-025-004R031](#) [160-020-209R000](#) [160X10909X](#) [164C03939A](#) [177-505-A-2-2](#) [1-966830-8](#) [21018-6](#) [21028-2](#) [2-1393560-9](#) [JS-1000](#) [L17D204182M3E](#) [L17D53018](#) [300X10779X](#) [160X10189X](#) [160X10419X](#) [162-000-050R000](#) [21018-5](#) [212561-3](#) [248C21550X](#) [CF15P](#) [D110277](#) [500-008NF1K-01](#) [500-008NF3R3KS-01](#) [500-017M09FN](#) [500-017M15MHN](#) [500-024M1](#) [500-068M3](#) [5-1393561-5](#) [C115373-0001](#) [C115373-0002](#) [3342-4-KIT](#) [K1003](#) [L17D4M68711](#)