

Plastic Hoods

D45PK-P+High Density D-Sub Solder Cup

TECHNICAL SPECIFICATIONS

D-Sub Hood:

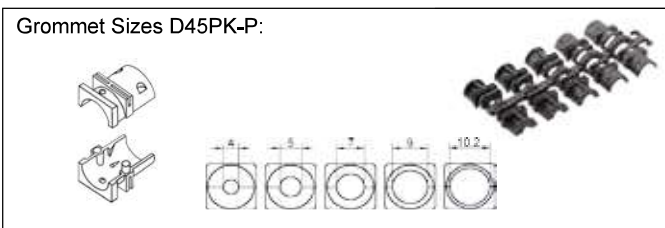
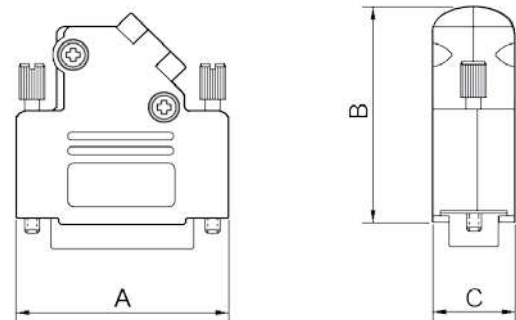
Material: UL 94 V-0 Plastic Material
 Operating Temperature: -55°C to +110°C
 Cable Entry: Side
 Thumbscrews: UNC 4-40 (Standard)
 Cable O.D: Up to 11,5mm
 Colour: Black

High Density D-Sub Solder Cup:

Insulator: Glass filled TP, UL94 V-0
 Shell: Steel, Tin Plated
 Contact pins: Copper Alloy
 Gold Flash over Ni.
 Stamped & Formed Pins: Class 3, 100 inserts min.
 Contact Plating: Gold flash over Nickel
 Operating Temperature: -55°C to +85°C
 Withstanding voltage: >1000V Rms to 50 Hz
 for 1 minute
 Current Rating: 3A
 Insulator resistance: >5000MΩ min.

Features:

- Available in sizes HD 15-26-44-62
- Strain relief inserts ensure a secure termination
- Re-openable



| Size D45PK-P | Dim A | Dim B | Dim C |
|--------------|-------|-------|-------|
| 9-way | 31,0 | 36,3 | 15,0 |
| 15-way | 39,5 | 40,3 | 15,0 |
| 25-way | 53,2 | 40,3 | 15,0 |
| 37-way | 69,7 | 40,3 | 15,0 |

Ordering information:

High Density D-Sub Connector Kits

| Size: | P/N - Kitted: | Description: |
|-------|--------------------------|---------------------|
| HD 15 | L17D45PK-P-09+L717HDE15P | Solder Cup, 15-Male |
| HD 26 | L17D45PK-P-15+L717HDA26P | Solder Cup, 26-Male |
| HD 44 | L17D45PK-P-25+L717HDB44P | Solder Cup, 44-Male |
| HD 62 | L17D45PK-P-37+L717HDC62P | Solder Cup, 62-Male |

| Size: | P/N - Kitted: | Description: |
|-------|-------------------------|-----------------------|
| HD 15 | L17D45PK-P-09+L77HDE15S | Solder Cup, 15-Female |
| HD 26 | L17D45PK-P-15+L77HDA26S | Solder Cup, 26-Female |
| HD 44 | L17D45PK-P-25+L77HDB44S | Solder Cup, 44-Female |
| HD 62 | L17D45PK-P-37+L77HDC62S | Solder Cup, 62-Female |

X-ON Electronics

Largest Supplier of Electrical and Electronic Components

Click to view similar products for [amphenol manufacturer](#):

Other Similar products are found below :

[MS27473P14B18S](#) [GTS02R20-15P-025-116](#) [GTC030-40-68SZ-025-RDS-LC](#) [ACC02E28-51S-003-B30-LC](#) [TV06RL-13-35AD](#) [TV06RL-13-98BD](#) [TV06RL-13-35SD-LC](#) [TV06RL-13-35SD](#) [TV06RL-13-98SD-LC](#) [TV06RL-13-98SD](#) [TVP00RW-23-53AD](#) [100-007-213-002-001](#) [TV06RW-25-90AE](#) [97-3108B16S-5PW-417](#) [PT06J20-24SW](#) [97-3108B16S-4PY-417](#) [97-3108B16S-4PX-417](#) [97-3108B16S-5PY-417](#) [97-3108B16S-4PW-417](#) [CS-DSDMDB37MF-025](#) [97-3108B16S-5PZ-417](#) [TV06RW-25-46AE](#) [TVS07RF-21-16AA](#) [TVS07RF-21-39BA](#) [CF-5A9013-04N](#) [CF-6A4615-06N](#) [GTC02R32-17S-025-RDS](#) [GTC02R32-17S-025-RDS-LC](#) [GTC02R32-17S-025-LC](#) [PT06SE-24-61P\(LC\)](#) [GTC06-22-13SW](#) [GTC06-22-13SY](#) [GTS06G-36-10S](#) [GTC06-22-13S-025-B30-LC](#) [GTC06-22-13SW-025-LC](#) [GTC06-22-13SX-025-B30](#) [GTC06-22-13SZ-025](#) [GTC06-22-13SZ-025-LC](#) [GTC06-22-13S-025-LC](#) [GTC06-22-13SW-025-B30](#) [GTC06-22-13SW-025-B30-LC](#) [GTC06-22-13SX-025-B30-LC](#) [GTC06-22-13SX-025-LC](#) [GTC06-22-13SY-025-B30](#) [GTC06-22-13SY-025-B30-LC](#) [GTC06-22-13SY-025-LC](#) [GTC06-22-13SZ-025-B30](#) [GTC06-22-13SZ-025-B30-LC](#) [GTC06-22-13SW-025](#) [GTC06-22-13SX-025](#)