

Plastic Hoods

D45PK-P+D-Sub Solder Cup

TECHNICAL SPECIFICATIONS

D-Sub Hood:

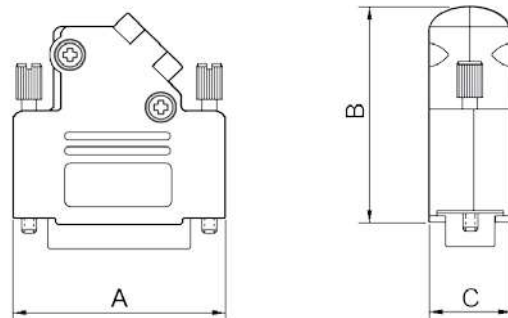
Material:	UL 94 V-0 Plastic Material
Operating Temperature:	-55°C to +110°C
Cable Entry:	Side
Thumbscrews:	UNC 4-40 (Standard)
Cable O.D:	Up to 11,5mm
Colour:	Black

Standard D-Sub Solder Cup:

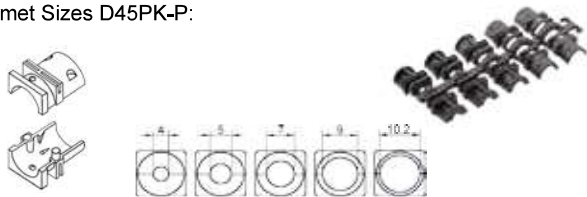
Insulator:	Glass filled TP, UL94 V-0
Shell:	Steel, Tin Plated
Contact pins:	Copper Alloy Gold Flash over Ni.
Stamped & Formed Pins	Class 3, 100 inserts min.
Contact Plating:	Gold flash over Nickel
Operating Temperature:	-55°C to +85°C
Withstanding voltage:	>1000V Rms to 50 Hz for 1 minute
Current Rating:	5A
Insulator resistance:	>5000MΩ min.

Features:

- Available in sizes 9-15-25-37
- Strain relief inserts ensure a secure termination
- Re-openable



Grommet Sizes D45PK-P:



Size D45PK-P	Dim A	Dim B	Dim C
9-way	31,0	36,3	15,0
15-way	39,5	40,3	15,0
25-way	53,2	40,3	15,0
37-way	69,7	40,3	15,0

Ordering information:

Standard D-Sub Connector Kits

Size:	P/N - Kitted:	Description:
9-way	L17D45PK-P-09+L717SDE09P	Solder Cup, 9-Male
15-way	L17D45PK-P-15+L717SDA15P	Solder Cup, 15-Male
25-way	L17D45PK-P-25+L717SDB25P	Solder Cup, 25-Male
37-way	L17D45PK-P-37+L717SDC37P	Solder Cup, 37-Male

Size:	P/N - Kitted:	Description:
9-way	L17D45PK-P-09+L77SDE09S	Solder Cup, 9-Female
15-way	L17D45PK-P-15+L77SDA15S	Solder Cup, 15-Female
25-way	L17D45PK-P-25+L77SDB25S	Solder Cup, 25-Female
37-way	L17D45PK-P-37+L77SDC37S	Solder Cup, 37-Female

X-ON Electronics

Largest Supplier of Electrical and Electronic Components

Click to view similar products for [amphenol manufacturer](#):

Other Similar products are found below :

[MS27473P14B18S](#) [GTS02R20-15P-025-116](#) [GTC030-40-68SZ-025-RDS-LC](#) [ACC02E28-51S-003-B30-LC](#) [TV06RL-13-35AD](#) [TV06RL-13-98BD](#) [TV06RL-13-35SD-LC](#) [TV06RL-13-35SD](#) [TV06RL-13-98SD-LC](#) [TV06RL-13-98SD](#) [TVP00RW-23-53AD](#) [100-007-213-002-001](#) [TV06RW-25-90AE](#) [97-3108B16S-5PW-417](#) [PT06J20-24SW](#) [97-3108B16S-4PY-417](#) [97-3108B16S-4PX-417](#) [97-3108B16S-5PY-417](#) [97-3108B16S-4PW-417](#) [CS-DSDMDB37MF-025](#) [97-3108B16S-5PZ-417](#) [TV06RW-25-46AE](#) [TVS07RF-21-16AA](#) [TVS07RF-21-39BA](#) [CF-5A9013-04N](#) [CF-6A4615-06N](#) [GTC02R32-17S-025-RDS](#) [GTC02R32-17S-025-RDS-LC](#) [GTC02R32-17S-025-LC](#) [PT06SE-24-61P\(LC\)](#) [GTC06-22-13SW](#) [GTC06-22-13SY](#) [GTS06G-36-10S](#) [GTC06-22-13S-025-B30-LC](#) [GTC06-22-13SW-025-LC](#) [GTC06-22-13SX-025-B30](#) [GTC06-22-13SZ-025](#) [GTC06-22-13SZ-025-LC](#) [GTC06-22-13S-025-LC](#) [GTC06-22-13SW-025-B30](#) [GTC06-22-13SW-025-B30-LC](#) [GTC06-22-13SX-025-B30-LC](#) [GTC06-22-13SX-025-LC](#) [GTC06-22-13SY-025-B30](#) [GTC06-22-13SY-025-B30-LC](#) [GTC06-22-13SY-025-LC](#) [GTC06-22-13SZ-025-B30](#) [GTC06-22-13SZ-025-B30-LC](#) [GTC06-22-13SW-025](#) [GTC06-22-13SX-025](#)