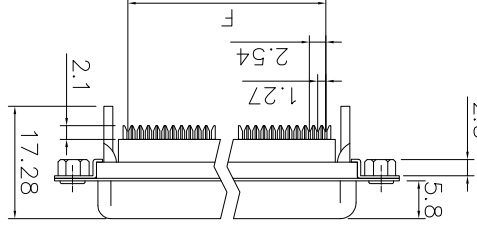
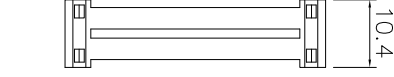
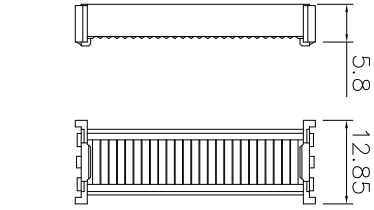
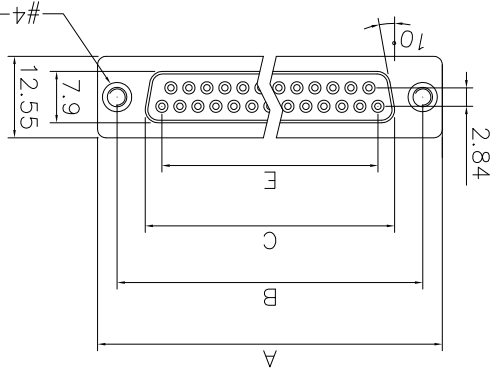


This document is the property of Amphenol Corporation and is delivered on the express condition that it is not to be copied, reproduced or used, in whole or in part, for manufacture or sale by anyone other than Amphenol Corporation without its prior consent, & that no right is granted to disclose or to use any information in this document.

Customer drawing



Strain Relief

Positions	A	B	C	E	F
9	30.81	24.99	16.33	11.08	10.16
15	39.20	33.30	24.70	19.39	17.78
25	53.05	47.04	38.40	33.24	30.48
37	69.40	63.50	54.80	49.86	45.72

Dimensions

D-SUB TECHNICAL DATA

SHELL : Steel, 100u" Tin Over 50u" min nickel over 50u" min Copper
BODY : Glass-filled Thermoplastic PBT,UL94V-0,Black
CONTACTS : Copper alloy
30u" gold over 50u" nickel on mating area
100u" tin over 50u" nickel on termination area
Rear Nut : Brass, Nickel Plated.
ELECTRICAL : Voltage rating 250 VAC/Rms 60HZ
 Current Rating :3 AMP
 Withstanding Voltage >1000 VAC Rms
 Insulation resistance >1000 M Ohms
 Contact resistance 20 mOhms max
MARKING : Amphenol...(Series No.)
 Commercial reference
 Manufacturing date

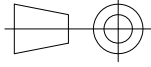
PRODUCT CODE
L 17D X FR D A XX S C309

- L: RoHS Compliance
- Shell size:E,A,B,C
- Flat ribbon cable type
- D = rear insert 4-40
- Gold plating: 30u"
- Contact type: S=Socket
- Configuration: 09,15,25,37
- Type: A=Front metal shell

DATE	APPROVAL
01/21/15	Patrizia
01/21/15	Tomy/Tang

U.S. METRIC	TOLERANCES
.XX +/-	ANGLES +/-
.XX +/-	FRACTIONS +/-
.XX +/-	SEE NOTES

U.S.	METRIC
5	0.20
	0.30
	0.50



REMOVE SHARP EDGES

FOR MATERIALS AND FINISHES

DRAWING FILE :

SIZE DRAWING NO. A4

SCALE NONE

SHEET 1 OF 1

REV. 2

REVISIONS

SYM	ECN	DESCRIPTION	DATE	APPROVED
2	HK--	Update the Drawing	01/21/15	IP
1	HK--	First Release Drawing	10/29/08	IP

Amphenol East Asia Limited

Amphenol

IDC Flat cable D-SUB Series

L17DXFRDAXXS309

X-ON Electronics

Largest Supplier of Electrical and Electronic Components

Click to view similar products for [D-Sub Standard Connectors](#) category:

Click to view products by [Amphenol](#) manufacturer:

Other Similar products are found below :

[DCM37S732N](#) [DAM15P500](#) [DEV09S364GTLF](#) [DEM09P032N](#) [DDM50P732N](#) [DAM15S332N](#) [173109-2218](#) [173109-2466](#) [173109-2436](#)
[173109-2435](#) [56F706-005-LI](#) [56F711-015](#) [015-0341-000](#) [015-0372-008](#) [015-8544-011](#) [017041-0005](#) [020419-0104](#) [012-0515-000](#) [012-9507-](#)
[034](#) [012-9507-114](#) [012-9534-001](#) [020745-0008](#) [609-25P](#) [M24308/2-23Z](#) [M243082310F](#) [M243082410F](#) [M243082411F](#) [M24308/4-21](#)
[CT1A18-11PSA206](#) [CT1N36-5SC](#) [CT2-16S-17PS](#) [CT2-20-15PCAU](#) [CT2-24-12PS](#) [CT2-24-28PSF127A206](#) [CT2-32-9PC](#) [CT6F9767-14-4-](#)
[14S-5PC](#) [CT6FA10SL-4PS](#) [CT7-18-10SC](#) [CT7-18-10SCAU](#) [CT7-18-12SCAU](#) [CT7-18-1PC](#) [CT7-18-1PCAU](#) [CT7-18-21SCAU](#) [M83513/01-](#)
[FC](#) [M83723/76W24619 L/C](#) [M85049/48-3-2F](#) [69001-865](#) [6STD09PCM99B70X](#) [6STD09SCM99B30X](#) [6STD09SCT99S40X](#)