

## Metalized Plastic Hoods

## DTPK-M+D-Sub Solder Cup

### TECHNICAL SPECIFICATIONS

#### D-Sub Hood:

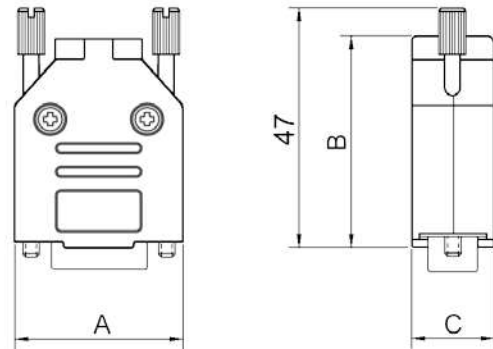
|                        |                            |
|------------------------|----------------------------|
| Material:              | UL 94 V-0 Plastic Material |
| Plating:               | Nickel over Copper         |
| Operating Temperature: | -55°C to +110°C            |
| Cable Entry:           | Top Entry                  |
| Thumbscrews:           | UNC 4-40 (Standard)        |
| Cable O.D:             | Up to 11,5mm               |

#### Standard D-Sub Solder Cup:

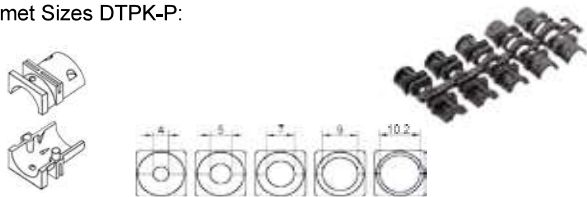
|                        |                                     |
|------------------------|-------------------------------------|
| Insulator:             | Glass filled TP, UL94 V-0           |
| Shell:                 | Steel, Tin Plated                   |
| Contact pins:          | Copper Alloy<br>Gold Flash over Ni. |
| Stamped & Formed Pins  | Class 3, 100 inserts min.           |
| Contact Plating:       | Gold flash over Nickel              |
| Operating Temperature: | -55°C to +85°C                      |
| Withstanding voltage:  | >1000V Rms to 50 Hz<br>for 1 minute |
| Current Rating:        | 5A                                  |
| Insulator resistance:  | >5000MΩ min.                        |

#### Features:

- Available in sizes 9-15-25-37
- 360° EMI Shielding
- Re-openable



Grommet Sizes DTPK-P:



| Size DTPK-M | Dim A | Dim B | Dim C |
|-------------|-------|-------|-------|
| 9-way       | 31,2  | 39,9  | 15,0  |
| 15-way      | 39,5  | 41,5  | 15,0  |
| 25-way      | 53,4  | 48,6  | 15,0  |
| 37-way      | 69,7  | 53,6  | 15,0  |

### Ordering information:

### Standard D-Sub Connector Kits

| Size:  | P/N - Kitted:           | Description:        |
|--------|-------------------------|---------------------|
| 9-way  | L17DTPK-M-09+L717SDE09P | Solder Cup, 9-Male  |
| 15-way | L17DTPK-M-15+L717SDA15P | Solder Cup, 15-Male |
| 25-way | L17DTPK-M-25+L717SDB25P | Solder Cup, 25-Male |
| 37-way | L17DTPK-M-37+L717SDC37P | Solder Cup, 37-Male |

| Size:  | P/N - Kitted:          | Description:          |
|--------|------------------------|-----------------------|
| 9-way  | L17DTPK-M-09+L77SDE09S | Solder Cup, 9-Female  |
| 15-way | L17DTPK-M-15+L77SDA15S | Solder Cup, 15-Female |
| 25-way | L17DTPK-M-25+L77SDB25S | Solder Cup, 25-Female |
| 37-way | L17DTPK-M-37+L77SDC37S | Solder Cup, 37-Female |

## X-ON Electronics

Largest Supplier of Electrical and Electronic Components

*Click to view similar products for [amphenol manufacturer](#):*

Other Similar products are found below :

[MS27473P14B18S](#) [GTS02R20-15P-025-116](#) [GTC030-40-68SZ-025-RDS-LC](#) [ACC02E28-51S-003-B30-LC](#) [TV06RL-13-35AD](#) [TV06RL-13-98BD](#) [TV06RL-13-35SD-LC](#) [TV06RL-13-35SD](#) [TV06RL-13-98SD-LC](#) [TV06RL-13-98SD](#) [TVP00RW-23-53AD](#) [100-007-213-002-001](#) [TV06RW-25-90AE](#) [97-3108B16S-5PW-417](#) [PT06J20-24SW](#) [97-3108B16S-4PY-417](#) [97-3108B16S-4PX-417](#) [97-3108B16S-5PY-417](#) [97-3108B16S-4PW-417](#) [CS-DSDMDB37MF-025](#) [97-3108B16S-5PZ-417](#) [TV06RW-25-46AE](#) [TVS07RF-21-16AA](#) [TVS07RF-21-39BA](#) [CF-5A9013-04N](#) [CF-6A4615-06N](#) [GTC02R32-17S-025-RDS](#) [GTC02R32-17S-025-RDS-LC](#) [GTC02R32-17S-025-LC](#) [PT06SE-24-61P\(LC\)](#) [GTC06-22-13SW](#) [GTC06-22-13SY](#) [GTS06G-36-10S](#) [GTC06-22-13S-025-B30-LC](#) [GTC06-22-13SW-025-LC](#) [GTC06-22-13SX-025-B30](#) [GTC06-22-13SZ-025](#) [GTC06-22-13SZ-025-LC](#) [GTC06-22-13S-025-LC](#) [GTC06-22-13SW-025-B30](#) [GTC06-22-13SW-025-B30-LC](#) [GTC06-22-13SX-025-B30-LC](#) [GTC06-22-13SX-025-LC](#) [GTC06-22-13SY-025-B30](#) [GTC06-22-13SY-025-B30-LC](#) [GTC06-22-13SY-025-LC](#) [GTC06-22-13SZ-025-B30](#) [GTC06-22-13SZ-025-B30-LC](#) [GTC06-22-13SW-025](#) [GTC06-22-13SX-025](#)