

ED-EHD

D-Sub connectors - Screw-machined contacts

STANDARD AND HIGH DENSITY WATERPROOF CONNECTORS



CHARACTERISTICS

Materials and Platings	
Shells	Steel, Nickel plated 1.25µm(50µ") min.
Body	Glass-filled thermoplastic Flame retardant to UL94 V-0 Color Black
Contacts	Copper alloy(Brass for plug, Phosphor bronze for socket) gold over 1.25µm(50µ") min nickel
Boardlock	Copper alloy, 100µ" min. sn over 50µ" min. nickel.
Standoff	Copper alloy, 100µ" min. sn over 50µ" min. nickel.

Electrical Data	
Current rating	5.0A
Voltage rating	300V rms at 50Hz
Insulation resistance	>5000MΩ
Contact resistance	20mΩ Max.

Climatic Data	
Operating temperature	-55°C to +85°C
Salt spray	48 hours
Waterproof rating	IP 67 minimum

Mechanical Data					
Mating and unmating force Unit: kg (lb)					
No. of Cts		ED		EHD	
ED	EHD	Mate (max)	Unmate (min)	Mate (max)	Unmate (min)
9	15	3.05 (6.74)	0.36 (0.79)	3.81 (8.42)	0.52 (1.14)
15	26	5.09 (11.24)	0.46 (1.01)	5.95 (13.16)	1.05 (2.32)
25	44	8.44 (18.66)	0.81 (1.80)	9.26 (20.46)	1.37 (3.02)
Mating cycles		Gold flash : 100 cycles 0.4µm (15µ") : 200 cycles 0.76µm (30µ") : 500 cycles			

DESCRIPTION

The 17ED and 17EHD series are suitable for waterproof applications.

The machined contacts provide robustness and reliability.

This series offers:

- Panel mount connectors with solder cup, straight and right angle PCB terminations.

Connectors are waterproof unmated.

Harsh environment connectors

APPLICATIONS

- Marine electronic devices
- Industrial electrical
- Security Monitoring
- Robotics
- Lighting systems

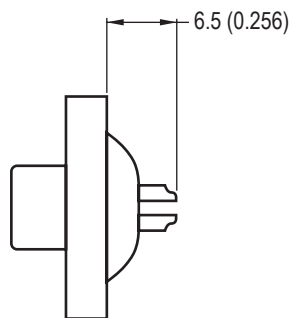


Amphenol

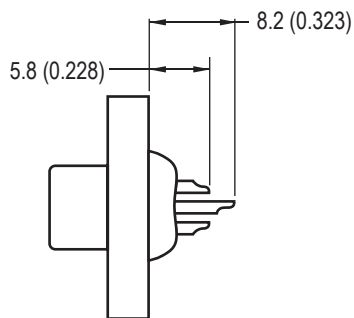
ED-EHD

Termination

Solder cup (blank) :

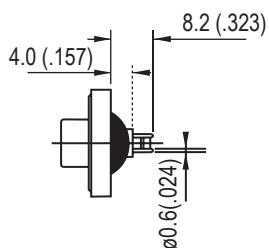


Standard density

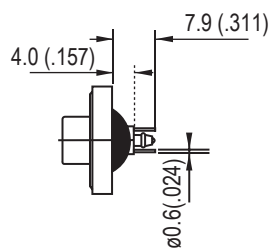


High density

Straight PCB with standoff and boardlocks:

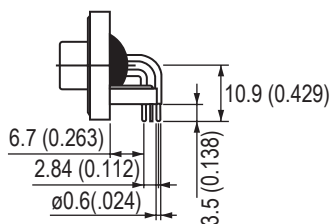


Standard density

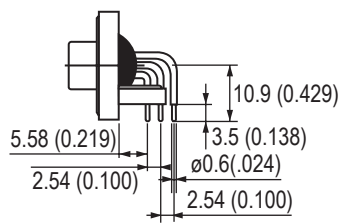


High density

Right angle PCB with brackets and boardlocks:

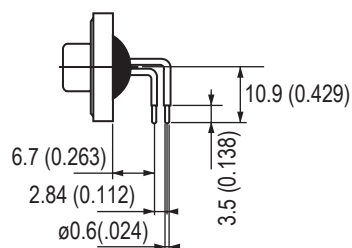


Standard density

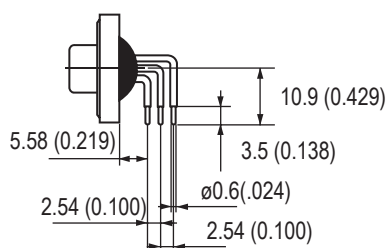


High density

Right angle PCB without brackets and boardlocks:

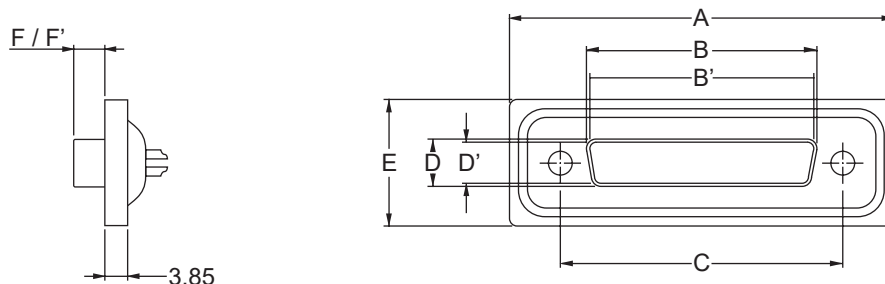


Standard density



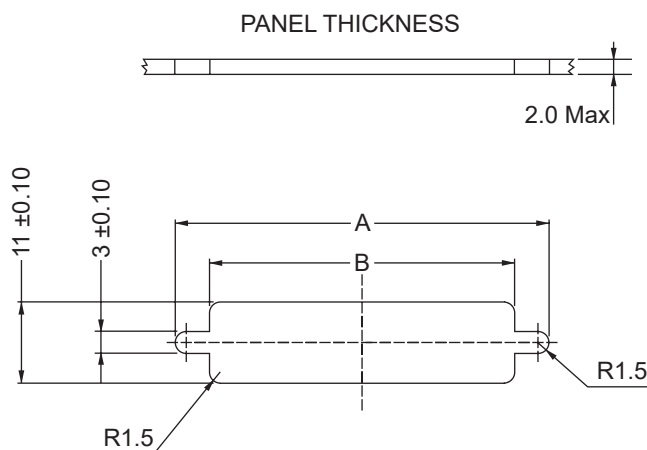
High density

Shell Size Dimensions



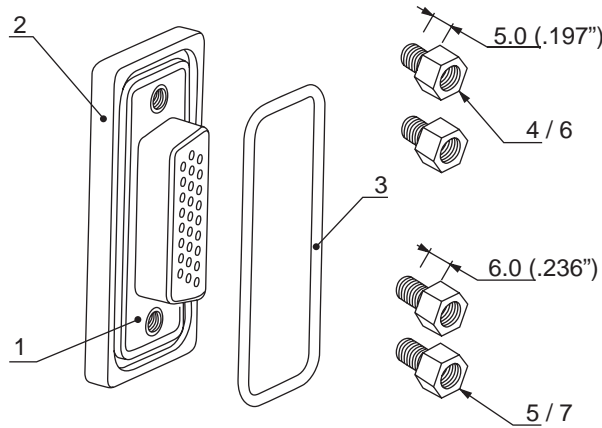
SHELL SIZE	Contact P: pin S: socket	A ±0.25 (±.010)	B 0 / -0.20 (0/- .008)	B' +0.20 / 0 (+.008/0)	C ±0.10 (±.004)	D 0 / -0.25 (0/- .010)	D' +0.25 / 0 (+.010/0)	E ±0.25 (±.010)	F +0.10/-0.20 (+.004/- .008)	F' ±0.10 (±.004)
E	P	39.4		16.8(0.661)	25.0		8.2(0.325)	21.0		5.9(0.232)
	S	(1.551)	16.4(0.646)		(0.984)	8.0(0.315)		(0.827)	6.2(0.244)	
A	P	47.7		25.1(0.988)	33.3		8.2(0.325)	21.0		5.9(0.232)
	S	(1.878)	24.8(0.976)		(1.311)	8.0(0.315)		(0.827)	6.2(0.244)	
B	P	64.5		28.8(1.528)	47.0		8.2(0.325)	21.0		5.9(0.232)
	S	(2.539)	38.5(1.513)		(1.850)	8.0(0.315)		(0.827)	6.2(0.244)	

Panel cutouts



SHELL SIZE	A ±0.10(±.004)	B 0 / -0.10(0 / -.004)
E	28.8 (1.111)	20.0 (0.788)
A	36.5 (1.438)	28.0 (1.103)
B	51.0 (2.009)	41.5 (1.635)

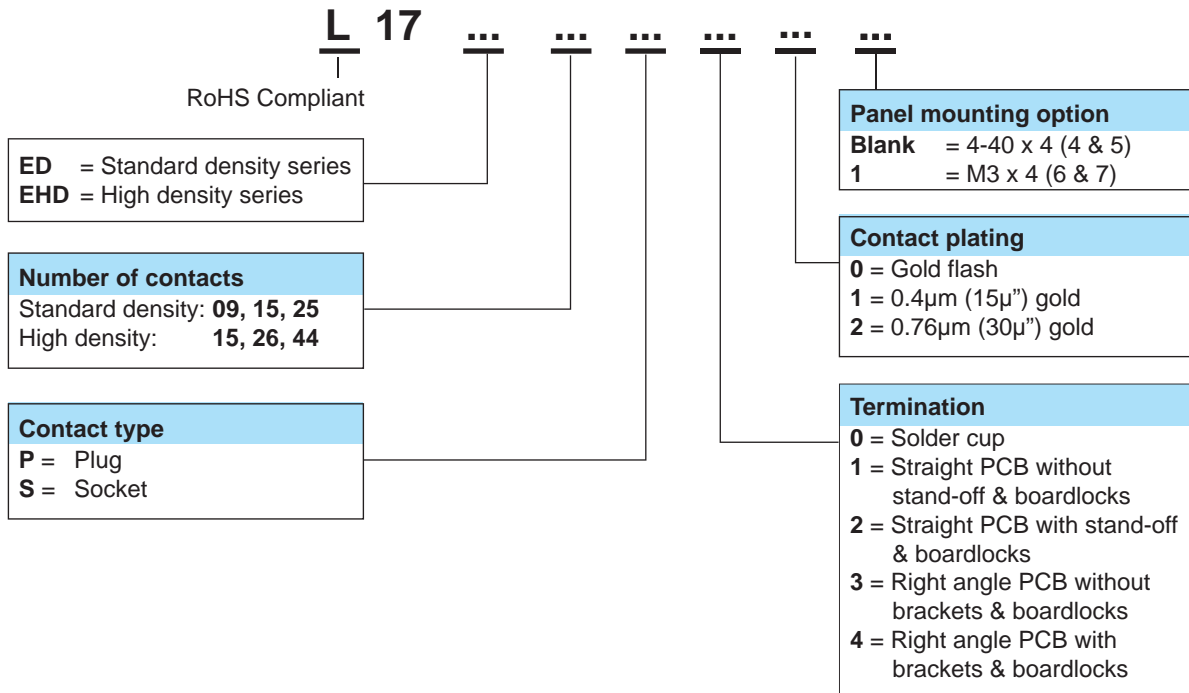
Connector Dimensions



NO	Description	Material	Qty
2	Housing	Black thermoplastic UL 94-VO	1
1	Front shell	Steel tin plated	1
3	Ring	Silicone	1
4 & 5	#4-40 Front screw lock	Steel, Nickel plated	4
6 & 7	M3 Front screw lock	Steel, Nickel plated	4

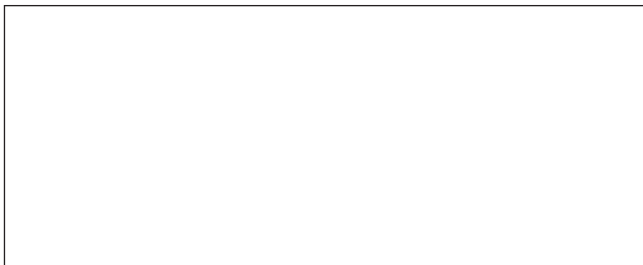
How to order

Examples: L 717 ED 09 P 0 0
L 77 EHD 26 S 2 1 1



For special request, please consult factory

Do not hesitate to contact us for further information



Amphenol

Amphenol IT & Communication Products

Block A3/A4, The 4th Industrial District of
Industrial Headquarters, Dong Keng Road
Gong Ming Town, Shen Zhen China
Fax: +86(0)755 2754 9955

Technical Support

Tel: +86(0)755 2717 7945
Info-dsub@amphenol.com.cn
http://www.dsubconnector.com

X-ON Electronics

Largest Supplier of Electrical and Electronic Components

Click to view similar products for [Circular MIL Spec Connector](#) category:

Click to view products by [Amphenol](#) manufacturer:

Other Similar products are found below :

[0025-262-542](#) [0025-264-3014](#) [58-570121-04S](#) [0134-202-1200](#) [0134-207-1206](#) [0134-207-1800](#) [0134-207-2207](#) [0134-213-0806](#) [0134-213-1007](#) [0134-213-1009](#) [0134-213-1208](#) [0134-213-1800](#) [0134-213-2209](#) [0025-258-000](#) [015-9516-002](#) [60-042722-19P](#) [0114-201-1278](#) [602GB06EG24-61SN](#) [0134-201-1207](#) [0134-201-1806](#) [0134-201-2006](#) [0134-201-2007](#) [0134-201-2010](#) [0134-202-1400](#) [0134-207-0809](#) [0134-207-1208](#) [0134-207-2009](#) [0134-213-1006](#) [6104-207-2302](#) [6104-208-1902](#) [6131-202-19149P](#) [6131-204-21149P](#) [6131-207-13149P](#) [6131-208-13149P](#) [6131-209-17149P](#) [6131-210-11149P](#) [6131-211-19149P](#) [6131-216-19149P](#) [6131-220-25149P](#) [6131-259-11149P](#) [6131-259-21149P](#) [6131-259-23149P](#) [6131-263-19149P](#) [6131-265-17149P](#) [6131-265-19149P](#) [CS3102A-20-15P](#) [CS3102A-20-15S](#) [CS3102C18-4P-472](#) [CS3106A-20-29P](#) [CS3106A-20-74P](#)