

Full Metal Hoods

MHDM+Screw Type Connector

TECHNICAL SPECIFICATIONS

D-Sub Hood:

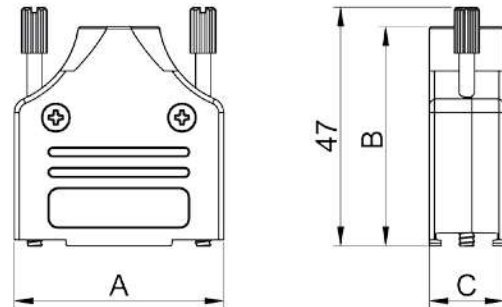
Material:	Zinc, Nickel Plated
Operating Temperature:	-40°C to +120°C
Cable Entry:	Top Entry
Thumbscrews:	UNC 4-40 (Standard)
Cable O.D:	Up to 13mm

D-Sub Screw Connector:

Insulator:	Glass filled TP, UL94 V-0
Shell:	Steel, Tin Plated
Contact pins:	Machined Brass pins 15µ" Gold plated over Ni.
AWG Wire Size:	AWG 18
Contact Plating:	Gold flash over Nickel
Operating Temperature:	-55°C to +85°C
Withstanding voltage:	>1000V Rms to 50 Hz for 1 minute
Current Rating:	7.5A
Insulator resistance:	>5000MΩ min.

Features:

- Available in sizes 9-15-25
- 360° EMI Shielding
- Re-openable



Size MHDM	Dim A	Dim B	Dim C
9-way	32,2	41,3	15,4
15-way	40,6	43,3	15,4
25-way	54,5	49,5	15,4

Ordering information:

Screw Connector D-Sub Connector Kits

Size:	P/N - Kitted:	Description:
9-way	L17MHDM09+L717DE09PST	Screw type, 9-Male
15-way	L17MHDM15+L717DA15PST	Screw type, 15-Male
25-way	L17MHDM25+L717DB25PST	Screw type, 25-Male

Size:	P/N - Kitted:	Description:
9-way	L17MHDM09+L77DE09SST	Screw type, 9-Female
15-way	L17MHDM15+L77DA15SST	Screw type, 15-Female
25-way	L17MHDM25+L77DB25SST	Screw type, 25-Female

X-ON Electronics

Largest Supplier of Electrical and Electronic Components

Click to view similar products for [amphenol manufacturer](#):

Other Similar products are found below :

[CTV06RGQF-17-52P](#) [CTVPS00RGF-23-6P-LC](#) [GC835TY2S](#) [CF-509621-29P](#) [BF8-1218-31SV-Y70](#) [TVP00RGW-23-6SA\(LC\)](#)
[RNJ27CI1535P014](#) [10-553998-139](#) [21-033388-031](#) [10-507142-843](#) [MS27473P14B18S](#) [GTC06G32-76PY-B30-LC](#) [GTC06G32-76PY-LC](#)
[GTC06G32-76PY](#) [GTC06G32-76P-B30-LC](#) [GTS06G-32-7S](#) [GTC06-36-78PX-023](#) [ACC02E28-51S-003-B30-LC](#) [TV06RL-13-35SD-LC](#)
[TV06RL-13-35SD](#) [TV06RL-13-98SD-LC](#) [TV06RL-13-98SD](#) [TV07RW-15-5BE](#) [AIB6-36-78PC-025](#) [GTC06G32-76PW-LC](#) [GTC06G32-](#)
[76PX-LC](#) [GTC06G32-76PZ-B30-LC](#) [GTC06G32-76PX-B30-LC](#) [GTC08AF32-15SX-B30-LC](#) [GTC06G32-76PZ](#) [GTC06G32-76PX](#)
[GTC030F14S-2S-025-B30](#) [TVP00RW-23-53AD](#) [TV07RW1597PE](#) [100-007-213-002-001](#) [5M30-61](#) [FSPP-103-00-004](#) [360031](#) [10-037090-](#)
[161](#) [10-541504-001](#) [10-580902-409](#) [TV97RW-9-9S\(S15\)](#) [TVPS00RGF-9-5P-LC](#) [TVPS00RGF-9-5PA-LC](#) [TVP00RGQW-21-75P-LC](#)
[TV06RW-25-90AE](#) [97-3108B16S-5PW-417](#) [PT06J20-24SW](#) [97-3108B16S-4PY-417](#) [97-3108B16S-4PX-417](#)