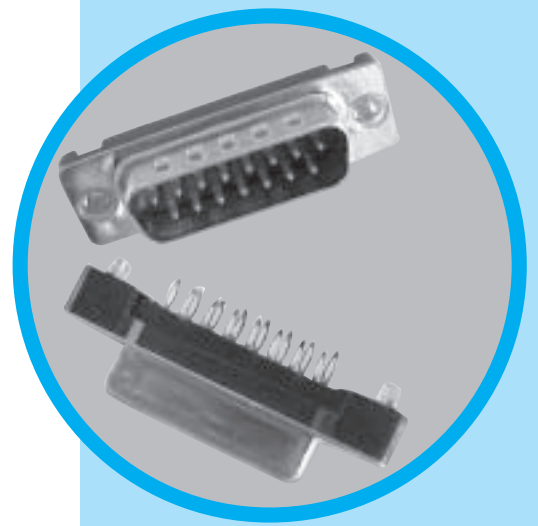


# TF

D-Sub connectors - Stamped and Formed Contacts

## PRESS FIT STRAIGHT PCB TERMINATION



CHARACTERISTICS

Materials and Platings	
<b>Shells</b>	Steel, tin plated
<b>Insulator</b>	Glass-filled thermoplastic, UL 94V-0
<b>Pin contact</b>	Brass, selected gold in mating area; 2.54µm (100µ") min. tin on termination area over 1.27µm (50µ") min. nickel
<b>Socket contact</b>	Phosphor bronze, selected gold in mating area; 2.54µm (100µ") min. tin on termination area over; 1.27µm(50µ") min. nickel
<b>Rear insert</b>	Brass, 2.54µm (100µ") min. nickel plated
<b>Boardlock</b>	Brass, 2.54µm (100µ") min. nickel plated
<b>Screwlock</b>	Brass, 2.54µm (100µ") min. nickel plated

Electrical Data	
<b>Current rating</b>	3A
<b>Voltage rating</b>	300V AC
<b>Withstanding voltage</b>	1000V AC/rms 60Hz for one minute
<b>Insulation resistance</b>	1000MΩ
<b>Contact resistance</b>	25mΩ max

Climatic Data	
<b>Operating temperature</b>	-55°C to +125°C
<b>Salt spray</b>	24 hours

Mechanical Data	
<b>Single contact insertion force</b>	≤ 3.60 N
<b>Single contact withdrawal force</b>	≥ 0.2 N
<b>Single contact insertion on board</b>	≤ 100 N
<b>Single contact withdrawal from board</b>	≥ 20 N
<b>Standard plating thickness</b>	Gold flash 0.4µm (15µ") gold 0.76µm (30µ") gold

	Terminal Specification	Boardlock Specification
<b>Finished Hole</b>	1 (+0.09 -0.06)	3.1 +/- 0.05 mm
<b>Cu</b>	> 25 µm	Min 25 µm
<b>Sn</b>	< 15 µm	5-15 µm

DESCRIPTION

The Amphenol "TF" series features eye of needle formed contacts, and insulator with closed entry contacts cavities.

This series gives you Amphenol's high standards of quality and reliability to meet all your technical requirements.

*Solderless  
straight PCB  
mount  
connectors*

APPLICATIONS

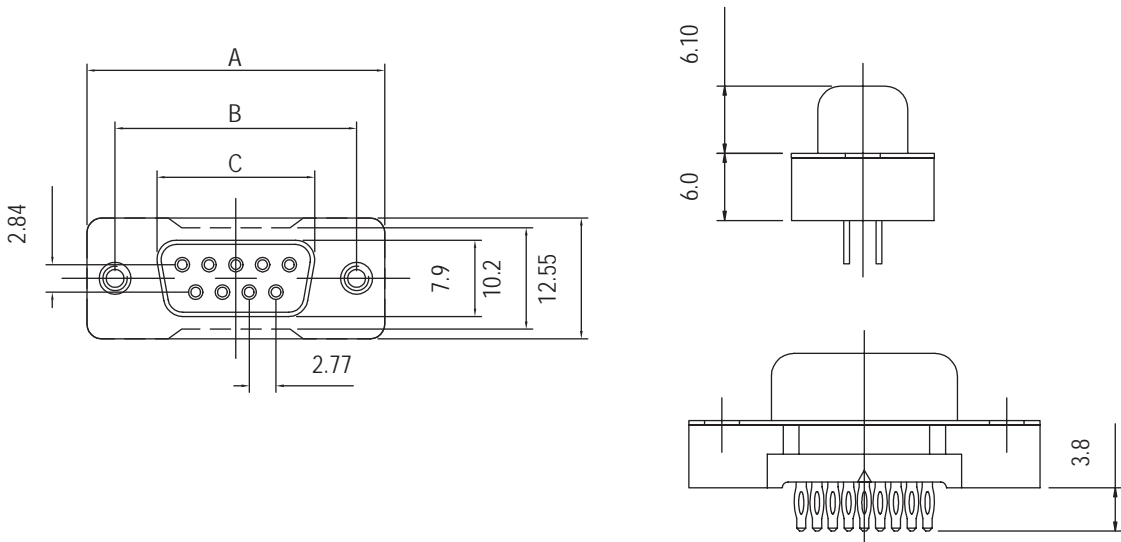
- Industrial
- Telecom
- Any backplanes connections



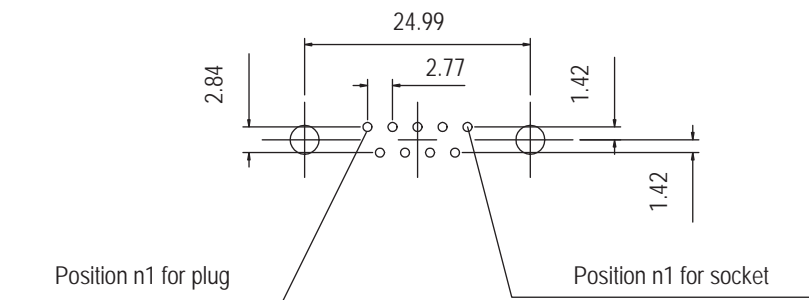
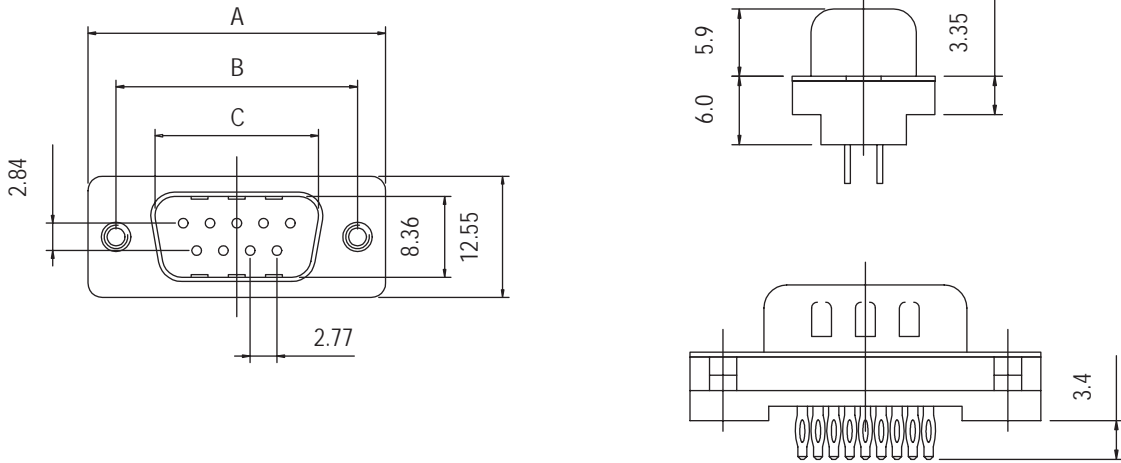
**Amphenol**

TF / E4

Socket version

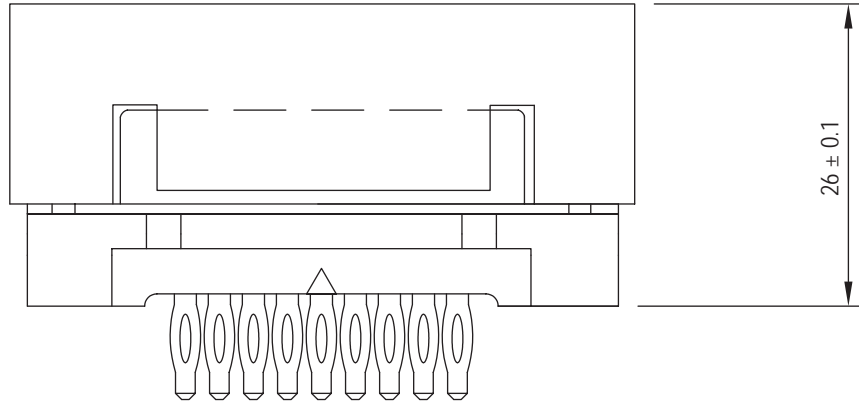


Plug version

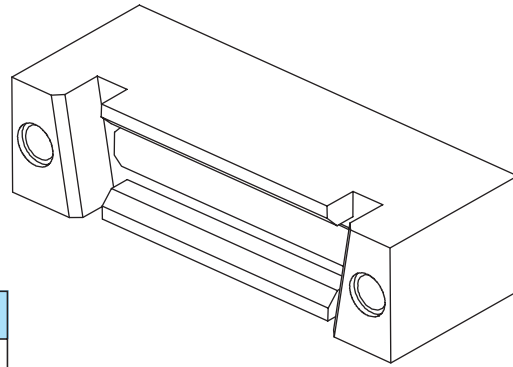


For PCB holes diameters, see on page 1 (finished holes)

Nb OF CONTACTS	DIMENSIONS mm (inch)			
	A	B	C plug	C socket
9	30.81 (1.185)	24.99 (0.984)	16.92 (0.666)	16.33 (0.643)
15	39.14 (1.54)	33.32 (1.312)	25.50 (1.004)	24.66 (0.97)
25	53.04 (2.088)	47.04 (1.852)	28.96 (1.534)	38.38 (1.511)
37	69.32 (2.729)	63.50 (2.5)	55.42 (2.182)	54.84 (2.16)

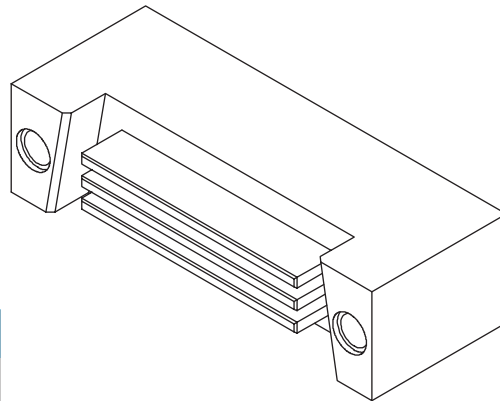


*Female*



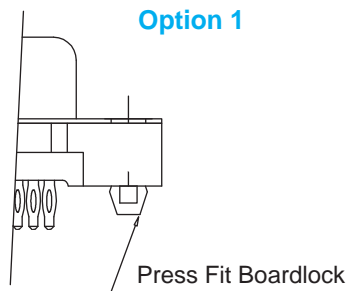
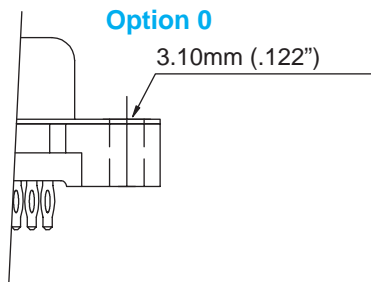
Size of connectors	Tooling PN
9	981 MC
15	982 MC
25	983 MC
37	984 MC

*Male*

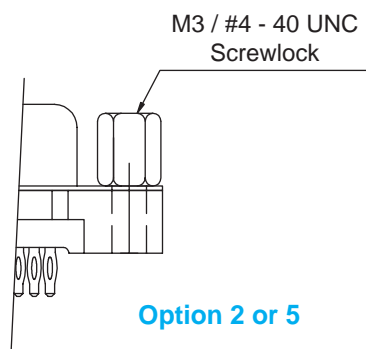
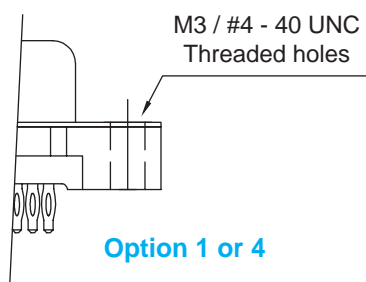


Size of connectors	Tooling PN
9	985 MC
15	986 MC
25	987 MC
37	988 MC

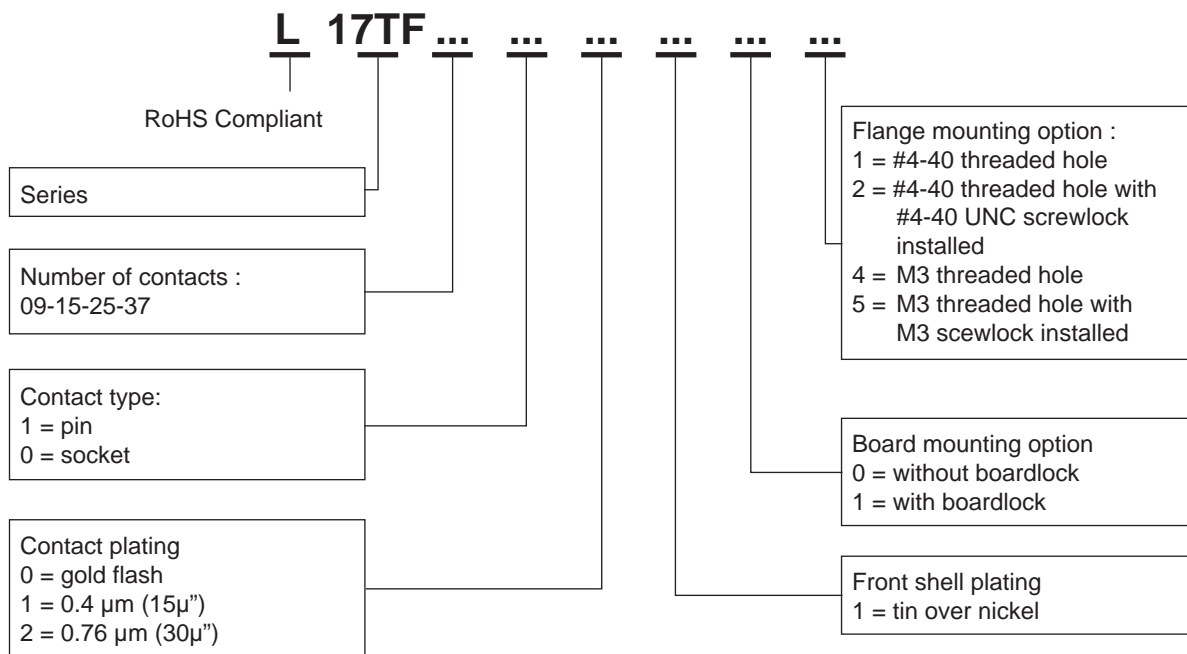
## Board mounting option



## Flange mounting option



## How to order



Do not hesitate to contact us for further information



# Amphenol

## Amphenol IT & Communication Products

Block A3/A4, The 4th Industrial District of  
Industrial Headquarters, Dong Keng Road  
Gong Ming Town, Shen Zhen China  
Fax: +86(0)755 2754 9955

### Technical Support

Tel: +86(0)755 2717 7945  
Info-dsub@amphenol.com.cn  
<http://www.dsubconnector.com>

## X-ON Electronics

Largest Supplier of Electrical and Electronic Components

*Click to view similar products for [D-Sub Standard Connectors](#) category:*

*Click to view products by [Amphenol](#) manufacturer:*

Other Similar products are found below :

[56F706-005-LI](#) [56F711-015](#) [LV242999-142T12](#) [015-0341-000](#) [015-0372-005](#) [015-0372-008](#) [015-8755-001](#) [020419-0104](#) [012-0467-000](#)  
[012-9507-034](#) [012-9507-114](#) [020745-0008](#) [609-25P](#) [CT2-14S-2PCA34](#) [CT2-18-11PCAU](#) [CT6-10SL-3SC](#) [CT6-10SL-4SC](#) [CT6-14S-2SC](#)  
[CT6E14SA7SC](#) [CT6N10SL-4SSA34](#) [M83513/01-FC](#) [M83723/76W24619 L/C](#) [M85049/48-3-2F](#) [6STD09PCM99B70X](#) [6STD09SCM99B30X](#)  
[6STD09SCT99S40X](#) [6STD15PCT99S40X](#) [6STD15SCT99S40X](#) [6STF09PCM05B70X](#) [7-135760-9](#) [MC11E-10-6SN](#) [747552-3](#) [MD1-21PS](#)  
[MDM-15SCBRM7-F222](#) [MDM96517-699](#) [MDM96521-744](#) [MDVB1-21SL1](#) [MIK0-1-7SH003](#) [MIKQ6-7SH076](#) [MIKQ7-7PH077](#) [MIKQ7-](#)  
[7PH11](#) [MIKQ7-7PH32](#) [MJSV-28SL61](#) [MKJ4A1F14-55S](#) [8-135760-3](#) [8STD09PCM99B30X](#) [PG-KV/PV-16-GROM-SEALING](#) [GDA15P](#)  
[GDAY15PB](#) [980-0000-170](#)