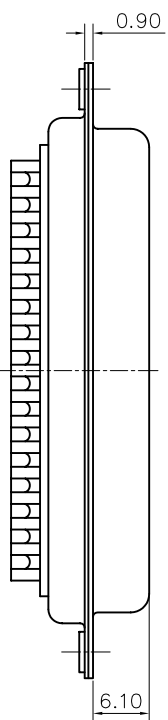
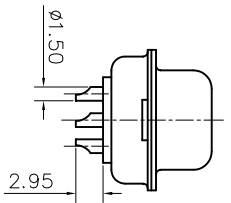
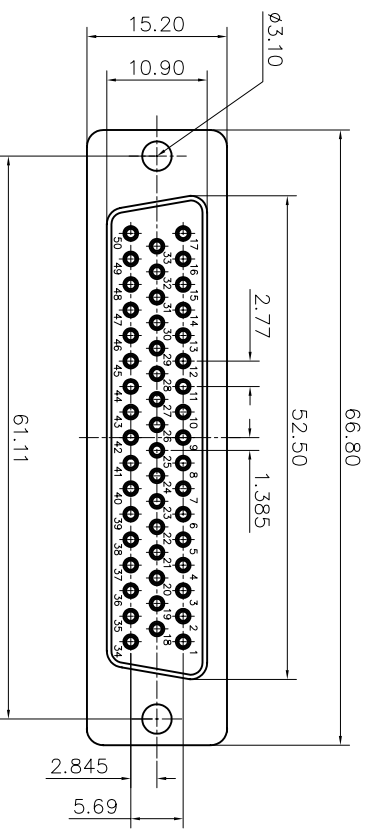


This document is the property of Amphenol Corporation and is delivered on the express condition that it is not to be disclosed, reproduced or used, in whole or in part, for any purpose other than that for which it was prepared by Amphenol Corporation without its prior consent, and that no right is granted to disclose or to use any information in this document.



# Customer drawing

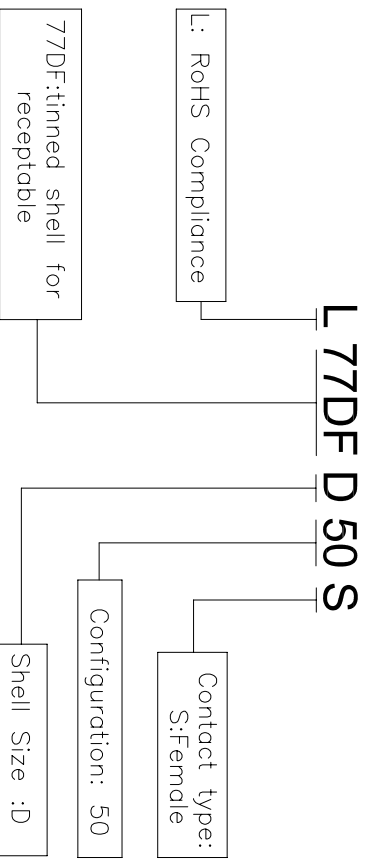
REVISIONS				
S/N	ECN	DESCRIPTION	DATE	APPROVED
1		Release manufacturing drawing	01/02/08	IP

## D-SUB TECHNICAL DATA

SHELL : Steel 2.5um (100u") min tin over 1.25um (50u") min nickel  
 BODY : Glass filled thermoplastic.  
 Flame retardant to UL94 V-0 Color Black  
 CONTACTS : Copper alloy  
 0.4um (15u") min gold over 1.25um (50u") min nickel  
 ELECTRICAL : Voltage rating : 1000 V RMS at 50 Hz  
 Current rating 7.5A.  
 Insulation resistance >5000 M Ohms  
 Contact resistance 20 mOhms max.  
 CLIMATIC : Temperature range -55 °C up to 125°C.  
 Damp heat 56 days(40 °C-95% HR)  
 MARKING : Amphenol...(Series No.)  
 Commercial reference  
 Manufacturing date

## PRODUCT CODE

**L 77DF D 50 S**



DIMENSIONS SPECIFIED		APPROVAL		DATE	
TOLERANCES	U.S.	DRAWN	Checked and	01/02/08	
	METRIC	CHECKED	10k. verified	01/02/08	
			CHECKED		
X	±0.50				
XX	±0.30				
XXX	±0.20				
FACTORS					
ANGLES	S				
FOR MATERIALS AND FINISHES SEE MATERIALS AND FINISHES					
REMOVE SHARP EDGES					
DIMENSIONS		DRAWING FILE : M177DFD50S		ANGLE OF PROJECTION	
THIS	FINISHES			FIRST ANGLE	
AMPHENOL	MM				
TITLE					
Machined contacts connector, DF series					
SIZE	DRAWING NO.			REV.	
A4	M L77DFD50S			1	
SCALE	NONE			SHEET	1 OF 1

## X-ON Electronics

Largest Supplier of Electrical and Electronic Components

*Click to view similar products for [D-Sub Standard Connectors](#) category:*

*Click to view products by [Amphenol](#) manufacturer:*

Other Similar products are found below :

[DCM37S732N](#) [DAM15P500](#) [DEV09S364GTLF](#) [DEM09P032N](#) [DDM50P732N](#) [DAM15S332N](#) [173109-2218](#) [173109-2261](#) [173109-2466](#)  
[173109-2469](#) [173109-2436](#) [173109-2435](#) [56F706-005-LI](#) [56F711-015](#) [015-0341-000](#) [015-0372-005](#) [015-0372-008](#) [015-8544-011](#) [017041-](#)  
[0005](#) [020419-0104](#) [012-0515-000](#) [012-9507-034](#) [012-9507-114](#) [012-9534-001](#) [020745-0008](#) [609-25P](#) [M24308/2-23Z](#) [M243082310F](#)  
[M243082410F](#) [M243082411F](#) [M24308/4-21](#) [CT0E20-8PS](#) [CT1E20-22SCAU-G9](#) [CT1N36-5SC](#) [CT2-16S-17PS](#) [CT2-20-15PCAU](#) [CT2-24-](#)  
[12PS](#) [CT2-24-28PSF127A206](#) [CT2-32-9PC](#) [CT6F24-12PS](#) [CT6F9767-14-4-14S-5PC](#) [CT7-18-10SC](#) [CT7-18-10SCAU](#) [CT7-18-12SCAU](#)  
[CT7-18-20PS](#) [CT9-16-12PS](#) [M83513/01-FC](#) [M83723/71R22558 L/C](#) [M83723/76W24619 L/C](#) [M85049/48-3-2F](#)