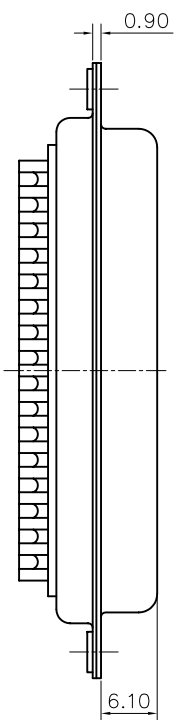
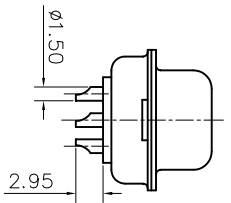
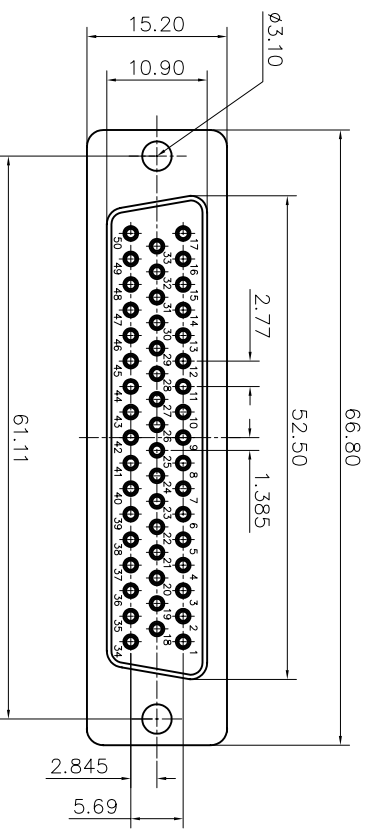


This document is the property of Amphenol Corporation and is intended for the specific condition that it is not to be disclosed, reproduced or used, in whole or in part, for any other purpose without the prior consent of Amphenol Corporation. No right is granted to make copies, to reproduce, to disseminate or to use any information in this document.



Customer drawing

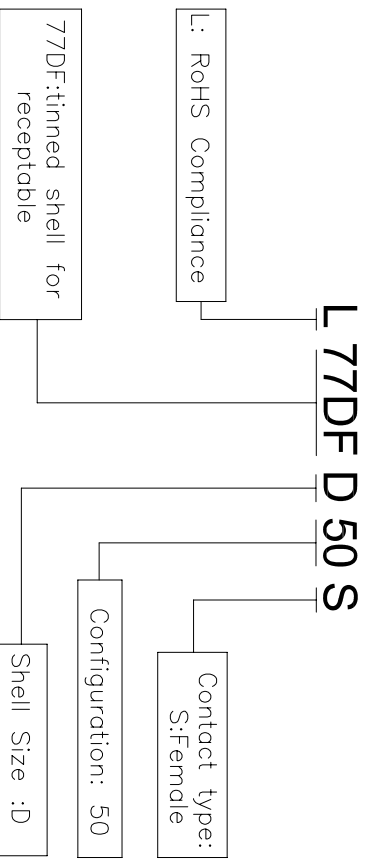
REVISIONS				
S/N	ECN	DESCRIPTION	DATE	APPROVED
1		Release manufacturing drawing	01/02/08	IP

D-SUB TECHNICAL DATA

SHELL : Steel 2.5um (100u") min tin over 1.25um (50u") min nickel
 BODY : Glass filled thermoplastic.
 Flame retardant to UL94 V-0 Color Black
 CONTACTS : Copper alloy
 0.4um (15u") min gold over 1.25um (50u") min nickel
 ELECTRICAL : Voltage rating : 1000 V RMS at 50 Hz
 Current rating 7.5A.
 Insulation resistance >5000 M Ohms
 Contact resistance 20 mOhms max.
 CLIMATIC : Temperature range -55 °C up to 125°C.
 Damp heat 56 days(40 °C-95% HR)
 MARKING : Amphenol...(Series No.)
 Commercial reference
 Manufacturing date

PRODUCT CODE

L 77DF D 50 S



DIMENSIONS SPECIFIED		APPROVAL		DATE	
TOLERANCES	U.S.	DRAWN	Checked and	01/02/08	
	METRIC	CHECKED	10k. verified	01/02/08	
			CHECKED		
X	+/ -				
XX	+/ -				
XXX	+/ -				
FRACTIONS	+/ -				
ANGLES	+/ -				
S					
FOR MATERIALS AND FINISHES		DRAWING FILE : M77DFD50S			
SEE REMOTE SHARP EDGES		ANGLE OF PROJECTION			
DIMENSIONS		FIRST ANGLE			
TOLERANCES		NONE			
FINISHES		NONE			
MATERIAL		NONE			
TITLE		Machined contacts connector, DF series			
SIZE		DRAWING NO.		REV.	
A4		M L77DFD50S		1	
SCALE		NONE		SHEET 1 OF 1	

X-ON Electronics

Largest Supplier of Electrical and Electronic Components

Click to view similar products for [D-Sub Standard Connectors](#) category:

Click to view products by [Amphenol](#) manufacturer:

Other Similar products are found below :

[DCM37S732N](#) [DAM15P500](#) [DEV09S364GTLF](#) [DEM09P032N](#) [DDM50P732N](#) [DAM15S332N](#) [173109-2218](#) [173109-2466](#) [173109-2436](#)
[173109-2435](#) [56F706-005-LI](#) [56F711-015](#) [015-0341-000](#) [015-0372-008](#) [015-8544-011](#) [017041-0005](#) [020419-0104](#) [012-0515-000](#) [012-9507-](#)
[034](#) [012-9507-114](#) [012-9534-001](#) [020745-0008](#) [609-25P](#) [M24308/2-23Z](#) [M243082310F](#) [M243082410F](#) [M243082411F](#) [M24308/4-21](#)
[CT1A18-11PSA206](#) [CT1N36-5SC](#) [CT2-16S-17PS](#) [CT2-20-15PCAU](#) [CT2-24-12PS](#) [CT2-24-28PSF127A206](#) [CT2-32-9PC](#) [CT6F9767-14-4-](#)
[14S-5PC](#) [CT6FA10SL-4PS](#) [CT7-18-10SC](#) [CT7-18-10SCAU](#) [CT7-18-12SCAU](#) [CT7-18-1PC](#) [CT7-18-1PCAU](#) [CT7-18-21SCAU](#) [M83513/01-](#)
[FC](#) [M83723/76W24619 L/C](#) [M85049/48-3-2F](#) [69001-865](#) [6STD09PCM99B70X](#) [6STD09SCM99B30X](#) [6STD09SCT99S40X](#)