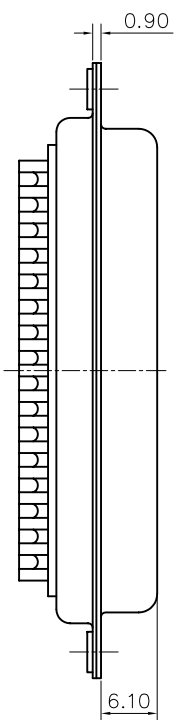
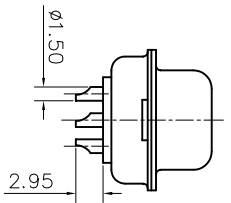
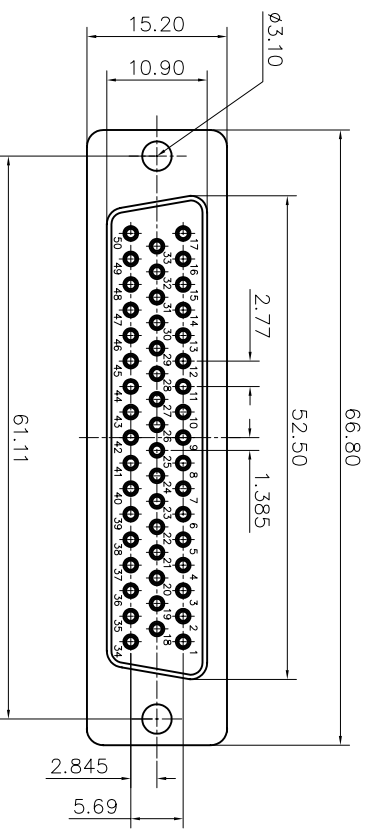


This document is the property of Amphenol Corporation and is intended for use only in connection with the equipment for which it was prepared. It is not to be distributed, reproduced or used, in whole or in part, without the prior consent of Amphenol Corporation. No right is granted to disclose or to use any information in this document.



# Customer drawing

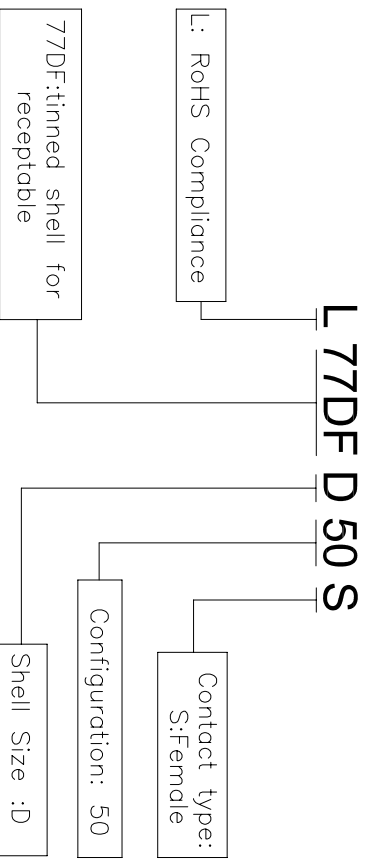
| REVISIONS |     |                               |          |          |
|-----------|-----|-------------------------------|----------|----------|
| S/N       | ECN | DESCRIPTION                   | DATE     | APPROVED |
| 1         |     | Release manufacturing drawing | 01/02/08 | IP       |

## D-SUB TECHNICAL DATA

SHELL : Steel 2.5um (100u") min tin over 1.25um (50u") min nickel  
 BODY : Glass filled thermoplastic.  
 Flame retardant to UL94 V-0 Color Black  
 CONTACTS : Copper alloy  
 0.4um (15u") min gold over 1.25um (50u") min nickel  
 ELECTRICAL : Voltage rating : 1000 V RMS at 50 Hz  
 Current rating 7.5A.  
 Insulation resistance >5000 M Ohms  
 Contact resistance 20 mOhms max.  
 CLIMATIC : Temperature range -55 °C up to 125°C.  
 Damp heat 56 days(40 °C-95% HR)  
 MARKING : Amphenol...(Series No.)  
 Commercial reference  
 Manufacturing date

## PRODUCT CODE

**L 77DF D 50 S**



| DIMENSIONS SPECIFIED   |             | APPROVAL                  |               | DATE                |        |
|--|-------------|---------------------------|---------------|---------------------|--------|
| TOLERANCES   | U.S.        | DRAWN                     | Checked and   | 01/02/08            |        |
|  | METRIC      | CHECKED                   | 10k. verified | 01/02/08            |        |
|  |             |                           | CHECKED       |                     |        |
| X  | ±0.50       |                           |               |                     |        |
| XX   | ±0.30       |                           |               |                     |        |
| XXX  | ±0.20       |                           |               |                     |        |
| FACTORS  |             |                           |               |                     |        |
| ANGLES   | S           |                           |               |                     |        |
| FOR MATERIALS AND FINISHES SEE MATERIALS AND FINISHES SHEET REMOVE SHARP EDGES |             |                           |               |                     |        |
| DIMENSIONS   |             | DRAWING FILE : M177DFD50S |               | ANGLE OF PROJECTION |        |
| THIS   | TYPICAL     |                           |               |                     |        |
| ASSEMBLY   | MM          |                           |               |                     |        |
| TITLE  |             |                           |               |                     |        |
| Machined contacts connector, DF series   |             |                           |               |                     |        |
| SIZE   | DRAWING NO. |                           |               | REV.                |        |
| A4   | M L77DFD50S |                           |               | 1                   |        |
| SCALE  | NONE        |                           |               | SHEET               | 1 OF 1 |

## X-ON Electronics

Largest Supplier of Electrical and Electronic Components

*Click to view similar products for [D-Sub Standard Connectors](#) category:*

*Click to view products by [Amphenol](#) manufacturer:*

Other Similar products are found below :

[56F706-005-LI](#) [56F711-015](#) [LV242999-142T12](#) [015-0341-000](#) [015-0372-005](#) [015-0372-008](#) [015-8755-001](#) [020419-0104](#) [012-0467-000](#)  
[012-9507-034](#) [012-9507-114](#) [020745-0008](#) [609-25P](#) [CT2-18-11PCAU](#) [CT6-10SL-3SC](#) [CT6-10SL-4SC](#) [CT6-14S-2SC](#) [CT6E14SA7SC](#)  
[CT6N10SL-4SSA34](#) [M83513/01-FC](#) [M83723/76W24619 L/C](#) [M85049/48-3-2F](#) [6STD09PCM99B70X](#) [6STD09SCM99B30X](#)  
[6STD09SCT99S40X](#) [6STD15PCT99S40X](#) [6STD15SCT99S40X](#) [6STF09PCM05B70X](#) [7-135760-9](#) [MC11E-10-6SN](#) [747552-3](#) [MD1-21PS](#)  
[MDM-15SCBRM7-F222](#) [MDM96517-699](#) [MDM96521-744](#) [MDVB1-21SL1](#) [MIK0-1-7SH003](#) [MIKQ6-7SH076](#) [MIKQ7-7PH077](#) [MIKQ7-](#)  
[7PH11](#) [MIKQ7-7PH32](#) [MJSV-28SL61](#) [MKJ4A1F14-55S](#) [8-135760-3](#) [8STD09PCM99B30X](#) [PG-KV/PV-16-GROM-SEALING](#) [GDA15P](#)  
[GDAY15PB](#) [980-0000-170](#) [980-0000-171](#)